



FORETRAVEL
MOTORCOACH

2001
Parts Manual

U270

The following manual was revised on this date, **10/21/05**. Part numbers are subject to change without notification.
Foretravel will not be held liable for incorrect part numbers, due to the ever changing nature of producing high end custom motorcoaches.



Table of Contents

Group 100 Chassis

Group 0110-1	Front Module Assembly	
Group 0112	Trailing Arm Assembly	
Group 0120	Rear Module Assembly	
Group 0130	Level System, Electrical	
Group 0132	Leveling System, Air Compressor	
Group 0134	Level System, Rear Air Manifold	
Group 0136	Level System, Front Air Manifold	
Group 0138-1	Battery Installation	
Group 0141	Inverter / Charger Assembly	
Group 0142	Isolator / Auxiliary Start Panel	
Group 0145	Breaker Board Assy, 12 Volt	Group 0147 Relay, Generator Transfer
Group 0150	Tank Assembly, Liquid Propane	
Group 0153	Manifold Assembly, LP	
Group 0154	Regulator Assembly, LP	
Group 0156-1	Tank Fitting Assembly, LP	
Group 0158-1	Quick Disconnect Assy, LP, Optional	
Group 0164	Holding Tank, Plumbing	
Group 0166-1	Plumbing, Water Tank	
Group 0168	Water Pump Assy. With Accumulator	
Group 0169	Plumbing, Water Manifold	
Group 0180	Fuel Tank Assembly, 150 Gallon	

Group 200 Engine

Group 0210	Engine Assembly, E30	
Group 0225	Alternator Assembly, 130 amp	
Group 0230-1	Air Governor Assembly	
Group 0255-2	Charged Air Induction System, Cummins	
Group 0270	Remote Start Panel Assembly, Engine	
Group 0275	Pump Assembly, Hydraulic Fan/Steering	
Group 0280	Reservoir Assembly, Hydraulic Fan/Steering	
Group 0282	Hydraulic Fan/Steering Reservoir	
Group 0287	Throttle Pedal Assembly, Electronic	
Group 0290	Motor Mount, Rear Engine	
Group 0295	Motor Mount, Front Engine	

Group 300 Transmission

Group 0310	Transmission Group	
Group 0320	Transmission Filter Assembly, Internal	
Group 0330	Transmission Shifting Assembly	
Group 0360-1	Control Assembly, Transmission Retarder	
Group 0370	Accumulator Assembly, Transmission	
Group 0380	Transmission Damper Assembly	
Group 0390	Retarder Control, Transmission, Hand Select	

Group 400 Front Axle

- Group 0405-3 Front Axle Assembly
- Group 0410 Anti-lock Braking System, Front
- Group 0410-1 Anti-lock Braking System, Front (mid year)
- Group 0417 Ride-height Control Valve Assembly
- Group 0420-3 Outer Wheel End Components
- Group 0425-2 Disc Brake Assembly, Front/Rear
- Group 0428-2 Chamber, Air Brake, Front
- Group 0430 Slack Adjuster Assembly, Front/Rear
- Group 0440 Front Wheel Assembly
- Group 0459 Steering Gear Assembly
- Group 0460 Steering Gear
- Group 0467 Drag Link Assembly

Group 500 Rear Axle

- Group 0505-2 Axle Assembly, Rear
- Group 0510 Anti-lock Braking System, Rear
- Group 0517 Ride-height Control Valve Assembly
- Group 0520-2 Carrier Assembly, Drive Axle, 4.63 Ratio
- Group 0525-1 Driveline Assembly
- Group 0533-1 Chamber, Spring Brake, Rear
- Group 0540 Rear Wheel Assembly

Group 600 Air System

- Group 0620-1 Control Valve Assembly, Park Brake
- Group 0630 Spring Brake Relay Valve Assembly
- Group 0641 Valve Assembly, Spring Brake Inversion
- Group 0649-1 Brake (Treadle) Valve Assembly
- Group 0660 Air Tank Assembly, Front
- Group 0661-1 Ride-height Control Regulator Assembly
- Group 0662 Air Tank Assembly, Rear Air
- Group 0664 Air Tank Assembly, Wet
- Group 0670 Air Dryer Assembly
- Group 0672 Air Dryer
- Group 0680 Service Brake Status Assembly

Group 700 Cooling System

- Group 0710 Radiator Assembly
- Group 0711 Lower Radiator Support Assembly
- Group 0712 Radiator Mounting Assembly, Main
- Group 0720 Radiator Coolant Plumbing Assembly, Cummins
- Group 0725 Electronic Fan Control
- Group 0730 Hydraulic Fan Motor Assembly
- Group 0750 Fuel Cooler Assembly
- Group 0760 Coolant Reservoir Assembly
- Group 0770 Inverter Cooling Components
- Group 0780 Generator Cooling System
- Group 0783 Generator Exhaust System
- Group 0785 Generator Coolant Hoses

Group 800 Air Conditioning System

Group 0815	Plenum Assembly, Air Conditioning
Group 0825	Evaporator Assembly, Air Conditioning
Group 0835	Accessory Panel, Air Conditioning
Group 0845	Condenser Kit Assembly, R134A
Group 0870	Control Kit, Vacuum Pump
Group 0880	Blower Assembly, Air Conditioning
Group 0890	Air Conditioning System Outlets
Group 0895	Air Conditioning System Hoses

Group 900 Dash Panel

Group 0910	Dash Components, Plastic Parts
Group 0920	Dash Instruments
Group 0925	Dash Gauges
Group 0930	Cabinet, Driver Side Cockpit
Group 0940-1	Steering Components

Group 1000 Exterior

Group 1115	Driver Sidewall Assembly
Group 1120	Sidewall Windows
Group 1130-2	Compartment Access Doors
Group 1133	Keyless Latch Assembly
Group 1134-1	Keyless Latch Module Kit
Group 1135	Access Compartment Door Facing
Group 1136	Reel Compartment
Group 1139	Utility Compartment
Group 1140	Antenna Assembly - CB Radio
Group 1160	Water Heater Assembly
Group 1170	Furnace Assembly
Group 1215	Passenger Sidewall Assembly
Group 1230	Entry Door Assembly
Group 1238	Screen Door Assembly for Entry Door
Group 1270	Porch Light Assembly
Group 1280	Step Assembly for Entry Door
Group 1310	Roof Assembly
Group 1360-1	Bath Vent Fan
Group 1370	Skylight
Group 1380	TV Antenna Assembly
Group 1390	Solar Charger
Group 1415	Front End Cap Assembly
Group 1420	Spotlight / Searchlight
Group 1445	Front Cap Mirror Assembly
Group 1455	Headlight Assembly
Group 1460	Driving Light Assembly
Group 1470	Generator Access Door Assembly
Group 1485	Wiper Assembly, Motor and Drive
Group 1485-1	Wiper Assembly, Motor / Drive (mid year)

Group 1487	Wiper Assembly, Arm and Blade
Group 1487-1	Wiper Assembly, Arm and Blade (mid year)
Group 1489	Wiper Assembly, Related Parts
Group 1510	Rear Cap Assembly
Group 1535	Camera / Monitor Assembly
Group 1540	Tail-Light Assembly
Group 1550	Center Brake Light
Group 1560	Engine Access Door Assembly
Group 1600	Paint Codes, 2001
Group 1640	Mudflap Fascia
Group 1710	Patio Awning
Group 1720	Window Awning
Group 1730	Awning Support Arms

Group 2000 Electronics

Group 2010	Video System, Front
Group 2015	Video System, Rear
Group 2020	Audio System, Front
Group 2040	Audio System, Compartment
Group 2050	CB Radio
Group 2060	Alarm System Option

Group 3000 Upholstery

Group 3020	Driver / Passenger Chair
Group 3060	Dining Chair
Group 3070	Swivel Chair
Group 3080	Recliner Chair
Group 3090	Sofa Assembly, 3600 WTFE
Group 3095	Sofa Assembly, 4000 CAI
Group 3100	Sofa Assembly, 3400 WTFE
Group 3110	Pillows, Sofa
Group 3138	Valance, Kitchen
Group 3140	Valance, Living Room
Group 3200	Valance, Bedroom
Group 3240	Bed Top
Group 3310	Shade, Roller
Group 3320-1	Window Sheer, Day / Night

Group 4000 Cabinet

Group 4010	Dining Table
Group 4030	Living Room Table
Group 4080	Cabinet, Front TV
Group 4120	Counter Top, Kitchen
Group 4500	Latches Part I
Group 4505	Latches Part II

Group 5000 Modules

- Group 5010 Drawer Module Assembly, Vertical Mount 3-Drw
- Group 5020 Drawer Module Assembly, 17" Horizontal Top Mt
- Group 5030 Drawer Module Assembly, 21" Horizontal Mount
- Group 5040 Freezer Module Assembly, Slide-out
- Group 5050 Freezer Module Assembly, Slide-out w/drawer
- Group 5060 Joey Bed Assembly

Group 6000 Plumbing

- Group 6010 Faucet, Lavatory, Standard
- Group 6025 Faucet, Shower, Polished Brass
- Group 6030 Toilet Assembly, Short
- Group 6035 Toilet Assembly, Tall
- Group 6065 Faucet Assembly, Sink

Group 7000 Lighting

- Group 7010 Swing Arm Wall Lamp
- Group 7040 Makeup Light, 36' - 40' CAI/WTFE
- Group 7045 10" Lazer Light
- Group 7050 8" Map Light
- Group 7055 Incandescent Light
- Group 7060 Fluorescent Light

Group 9000 High Usage Parts

- Group 9010 Generator High Usage Parts



Foretravel, inc.
Motorhomes

Group 100
Chassis

FRONT MODULE ASSEMBLY, U270

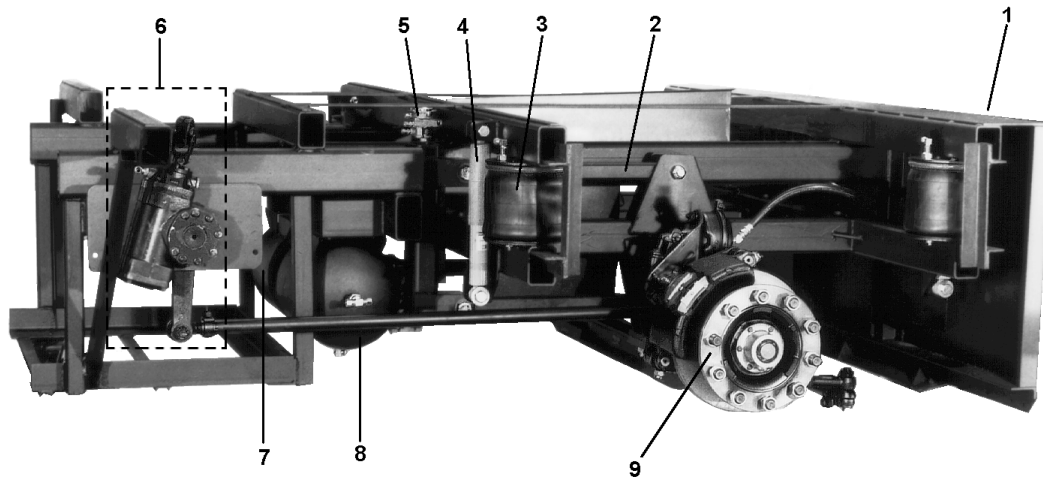


Figure 1.

Front Module

27P110-1
FMOD-270.PCX
05/15/97

27P0110-1

Front Module Assembly

Item#	Part Number	Qty	UM	Description	Start
01	P35710	1	EA	MAIN FRAME ASSEMBLY, FRONT	4470
02	NOTE112			SEE GROUP 112: TRAILING ARM	
03	P7000230	4	EA	AIR BAG, SUSPENSION	3336
04	P37331	4	EA	SHOCK ABSORBERS (SAME FRONT AND REAR)	4618
05	P6081	1	EA	VALVE ASSEMBLY, SPRING BRAKE INVERSION	3575
06	NOTE459			SEE GROUP 459 FOR BREAKDOWN	
07	NOTE662	1		SEE GROUP 662: REAR AIR TANK ASSEMBLY	
08	NOTE660	1		SEE GROUP 660: FRONT AIR TANK ASSEMBLY	
09	NOTE405			SEE GROUP 405: FRONT AXLE ASSY	

TRAILING ARM ASSEMBLY U270

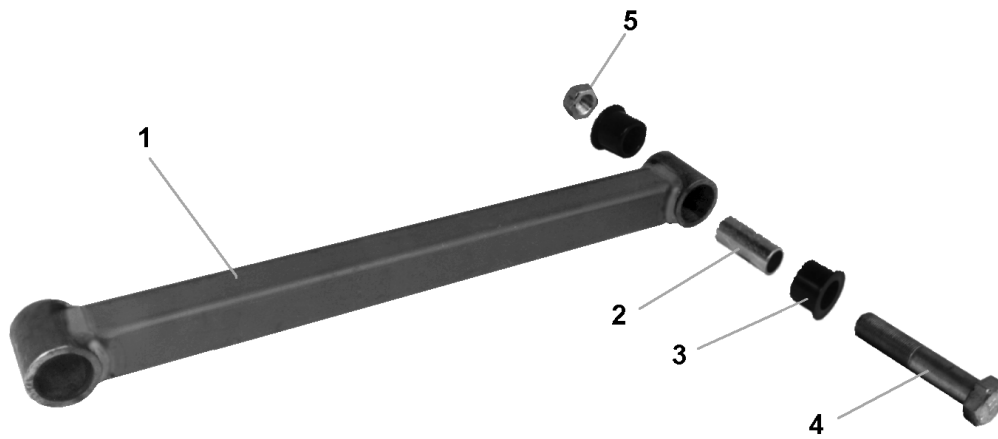


Figure 1.

27P112
T-ARM-2.PCX
Rev. 03-96

Front Trailing Arm Assembly

27P0112

Trailing Arm Assembly

Item#	Part Number	Qty	UM	Description	Start
01	P3539	1	EA	TRAILING ARM	3575
02	P36556	15.157	2	EA SLEEVE, TRAILING ARM 1.25" X 1" X 2.99"	4528
03	P36555	70004G	4	EA BUSHING, TRAILING ARM, LARGE	4528
04	P7000089		2	EA BOLT, 1"-14 X 5"	3336
05	P7000098		2	EA NUT, UNITORQUE LOCK, 1"-14	3336

REAR MODULE ASSEMBLY

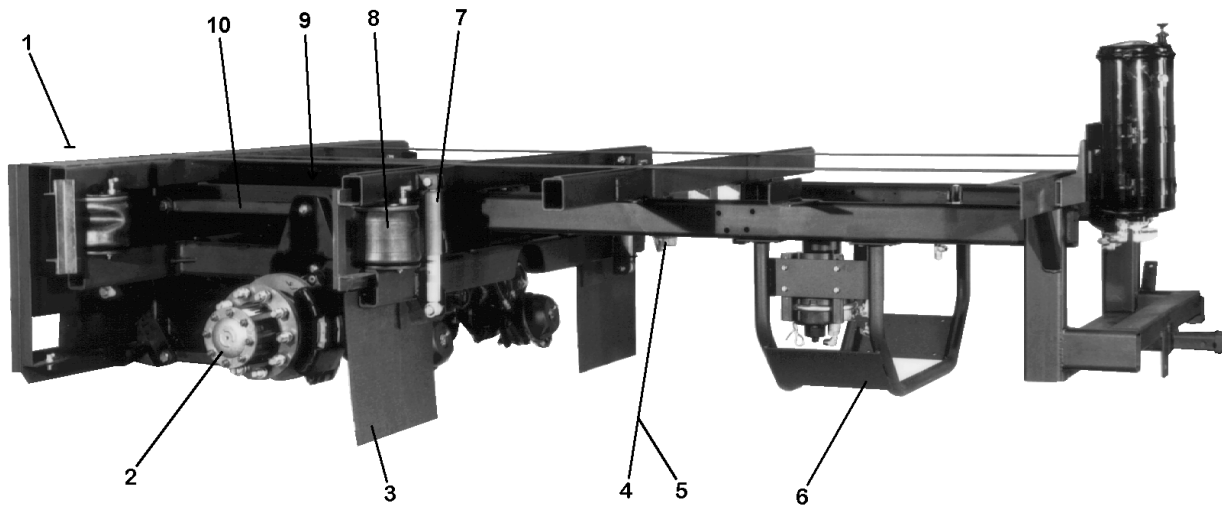


Figure 1.

Rear Module

27P120
Rmod-270.PCX
Rev. 07/98

27P0120

Rear Module Assembly

Item#	Part Number	Qty	UM	Description	Start
01	P23456	1	EA	MAIN FRAME ASSEMBLY, REAR	5387
02	NOTE505			SEE GROUP 505: REAR AXLE ASSY	
03	P3373	2	EA	MUD FLAP, UPPER REAR	3621
04	R90P	1	EA	FILTER, PRIMARY FUEL, CAT	4963
05	P23363	1	KT	BASE & FILTER, PRIMARY FUEL, CAT	4963
06	P32347	1	EA	SKID PLATE	4192
07	P37331	4	EA	SHOCK ABSORBERS (SAME FRONT AND REAR)	4618
08	P7000230	4	EA	AIR BAG, SUSPENSION	3336
09	NOTE664	1		SEE GROUP 664: WET AIR TANK ASSEMBLY	
10	NOTE112			SEE GROUP 112: TRAILING ARM	

LEVELING SYSTEM, ELECTRICAL U270

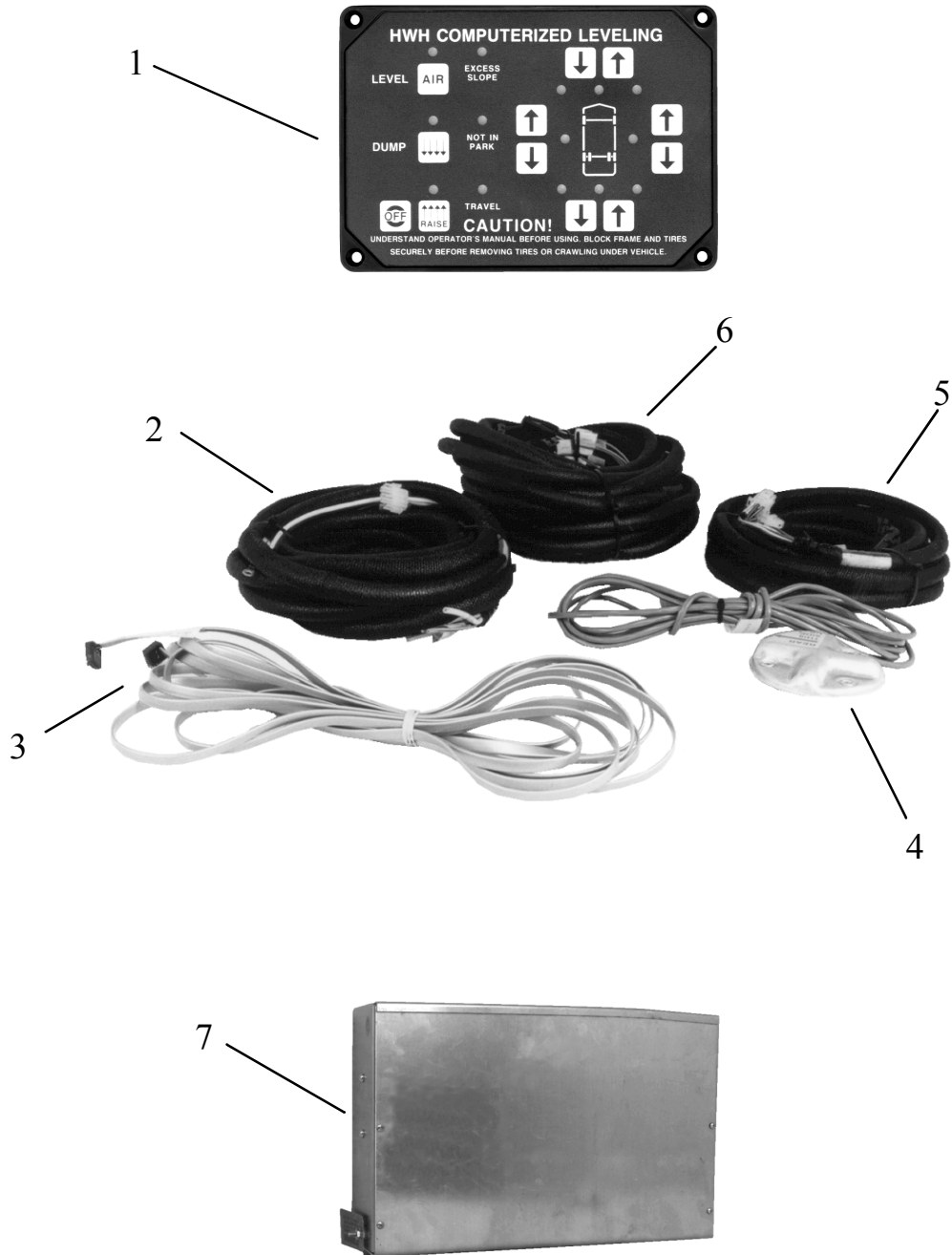


Figure 1.

27P130
LEV-ELEC.DRW
Rev. 03-96

Leveling System, Electrical

27P0130

Level System, Electrical

Item#	Part Number	Qty	UM	Description	Start
	P33034			LEVELING SYSTEM, AIR W/O TAG	3961
01	AP8444	1	EA	TOUCH PANEL, AIR LEVELING	3961
02	AP8397	1	EA	HARNESS, POWER, 21'	3961
03	AP8614	1	EA	MODULAR CABLE, 14' / 10-PIN	3961
04	AP9054	1	EA	SENSING UNIT, 8' BIAX, AIR LEVELING.	3961
05	AP9263	1	EA	HARNESS, FRONT AIR, 16'	3961
06	AP9264	1	EA	HARNESS, REAR AIR, 35'	3961
07	AP9488	1	EA	COMPUTER, AIR LEVELING	3961

LEVELING SYSTEM COMPRESSOR ASSEMBLY U270

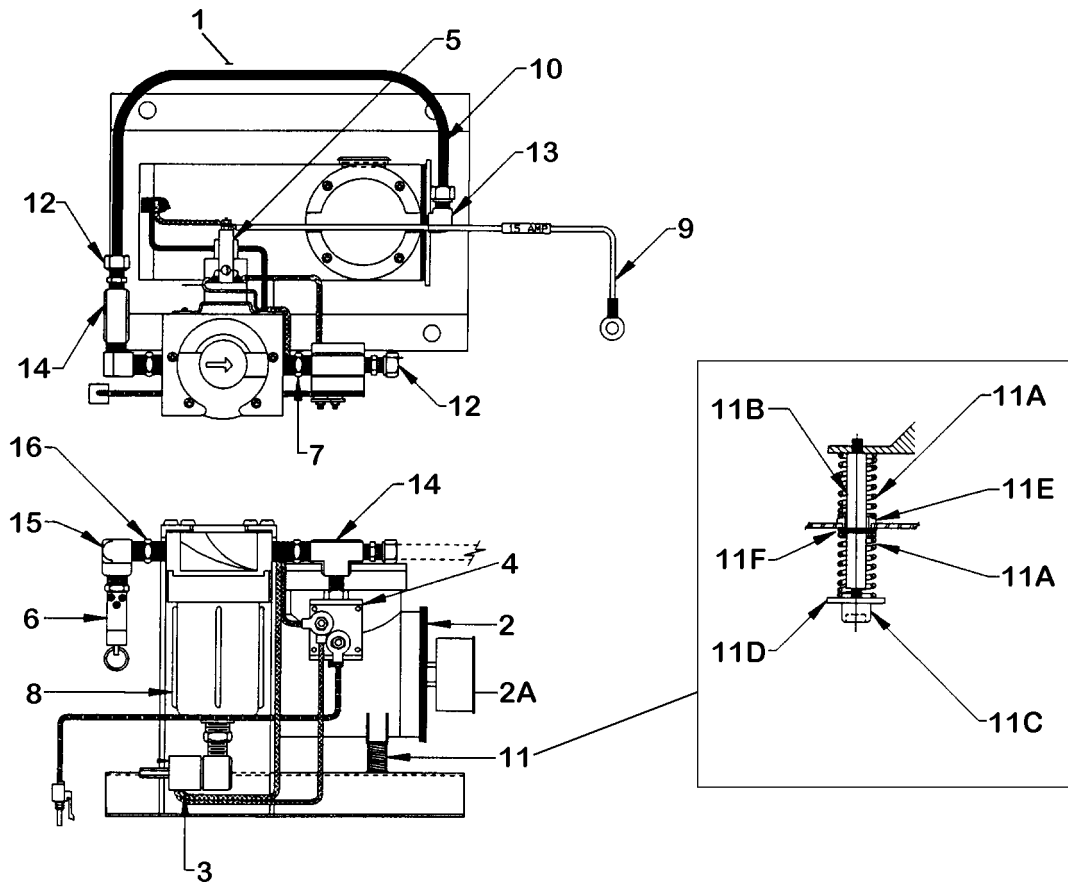


Figure 1.

27P132
28-30CMP.DRW
Rev. 03-96

Level System, Compressor Assembly

27P0132

Leveling System, Air Compressor

Item#	Part Number	Qty	UM	Description	Start
01	RAP8400	1	EA	COMPRESSOR ASSM,AIR LEVEL,12V	3961
02	RAP6192	1	EA	COMPRESSOR, AIR LEVEL, 12 VOLT	3961
02A	RAP6563	1	EA	FILTER KIT (FILTER & PLUG)	3961
03	RAP6354	1	EA	VALVE, SOLENOID, 12 VOLT, N.O.	3961
04	RP5886	1	EA	SWITCH, PRESSURE, 80 PSI, N.C.	3961
05	RP5512	1	EA	SOLENOID, 12 VOLT ESSEX	3961
06	RP5869	1	EA	VALVE, RELIEF	3961
07	RP5597	1	EA	VALVE, CHECK	3961
08	RAP5883	1	EA	FILTER, AIR, COMPRESSOR	3961
09	RAP6551	1	EA	LEAD W/ 15 AMP FUSE (NOT USED)	3961
10	P08059	3	FT	TUBING, DOT, 1/4" NYLON, BULK	
11	RAP6562	1	EA	(K1) KIT, SPRING SUPPORT	3961
12	RF6549	2	EA	FITTING, FOR 3/8" TUBE	3961
13	RF6791	1	EA	FITTING, BRASS 90 DEG ELBOW 1/4" MPT X 1/4" TUBE	3961
14	RF5887	2	EA	FITTING, BRASS TEE, 1/4" FPT	3961
15	RF3340	1	EA	FITTING,BRASS 90DEG EL,1/4"FPT	3961
16	RF6011	1	EA	FITTING, BRASS NIPPLE, 1/4"MPT	3961

LEVELING SYSTEM REAR MANIFOLD U270

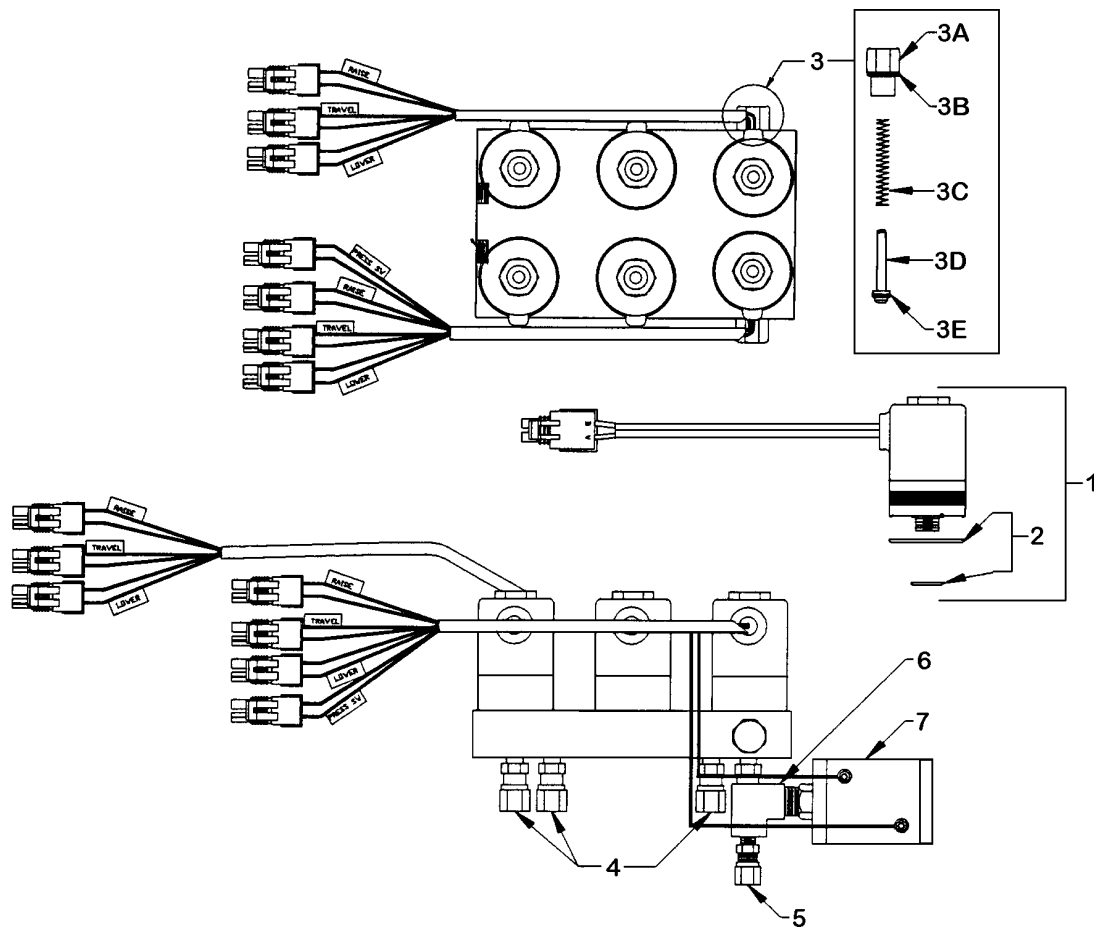


Figure 1.

27P134
28-30MNR.DRW
Rev. 03-96

Level System, Rear Manifold

27P0134

Level System, Rear Air Manifold

Item#	Part Number	Qty	UM	Description	Start
	RAP9278			MANIFOLD ASSEMBLY, REAR AIR	3961
01	RAP1940	6	EA	VALVE, SOLENOID, SCREW MOUNT	3961
02	RAP6554	2	EA	O-RING KIT, INCLUDED W/ (13023)	3961
03	RAP6553	2	EA	(K1) KIT, CHECK VALVE	3961
04	RF6148	6	EA	FITTING, FOR 3/8" TUBE	3961
05	RF4478	1	EA	FITTING, 1/4" MPT X 3/8" TUBE	3961
06	RF6944	1	EA	FITTING, 1/4" STREET TEE	3961
07	RAP1938	1	EA	SWITCH, PRESSURE, 80 PSI	3961

LEVELING SYSTEM FRONT MANIFOLD U270

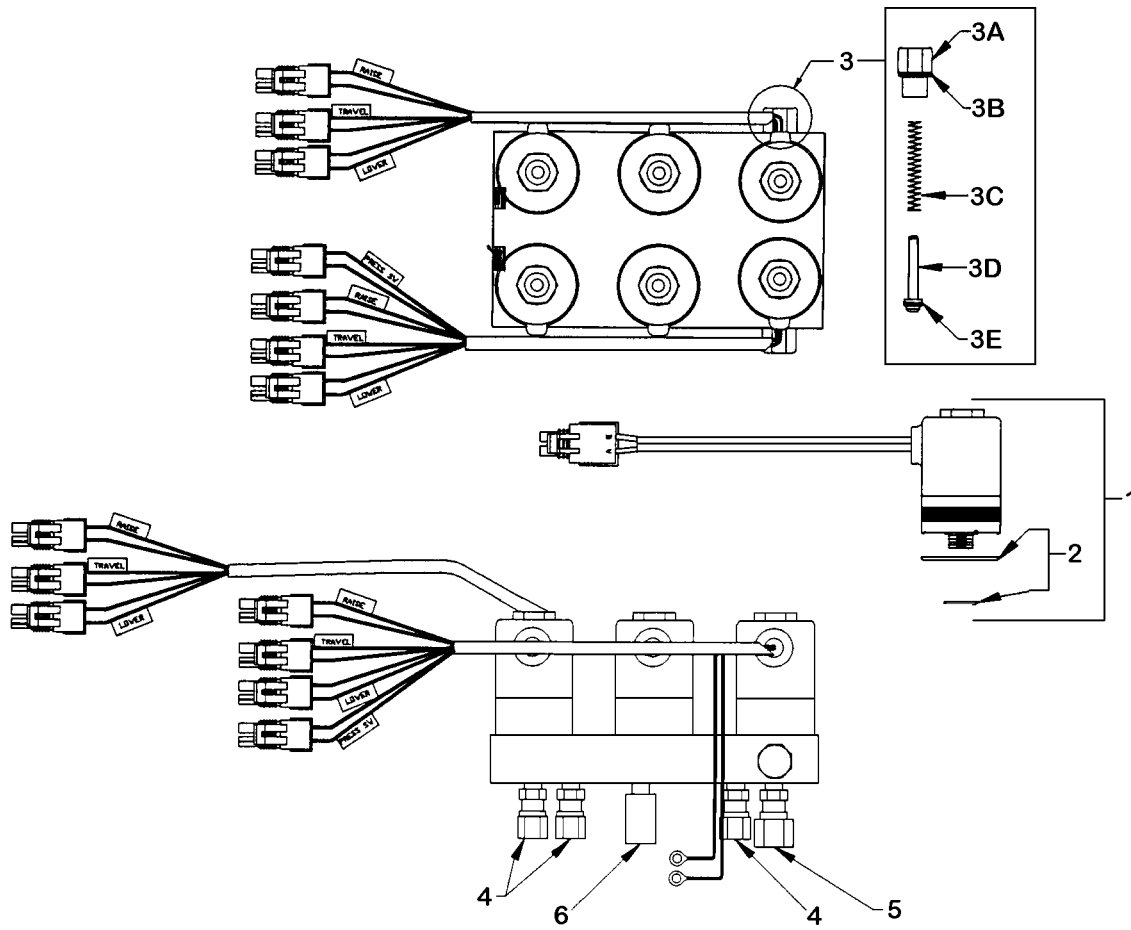


Figure 1.

Level System, Front Manifold

27P136
28-30MNF.DRW
Rev. 03-96

27P0136

Level System, Front Air Manifold

Item#	Part Number	Qty	UM	Description	Start
	RAP9283			MANIFOLD ASSEMBLY, FRONT AIR	3961
01	RAP1940	6	EA	VALVE, SOLENOID, SCREW MOUNT	3961
02	RAP6554	2	EA	O-RING KIT, INCLUDED W/ (13023)	3961
03	RAP6553	2	EA	(K1) KIT, CHECK VALVE	3961
04	RF6148	6	EA	FITTING, FOR 3/8" TUBE	3961
05	RF4478	1	EA	FITTING, 1/4" MPT X 3/8" TUBE	3961
06	P5425	2	EA	SWITCH, PRESSURE, 10 PSI	4093

BATTERY INSTALLATION, COACH

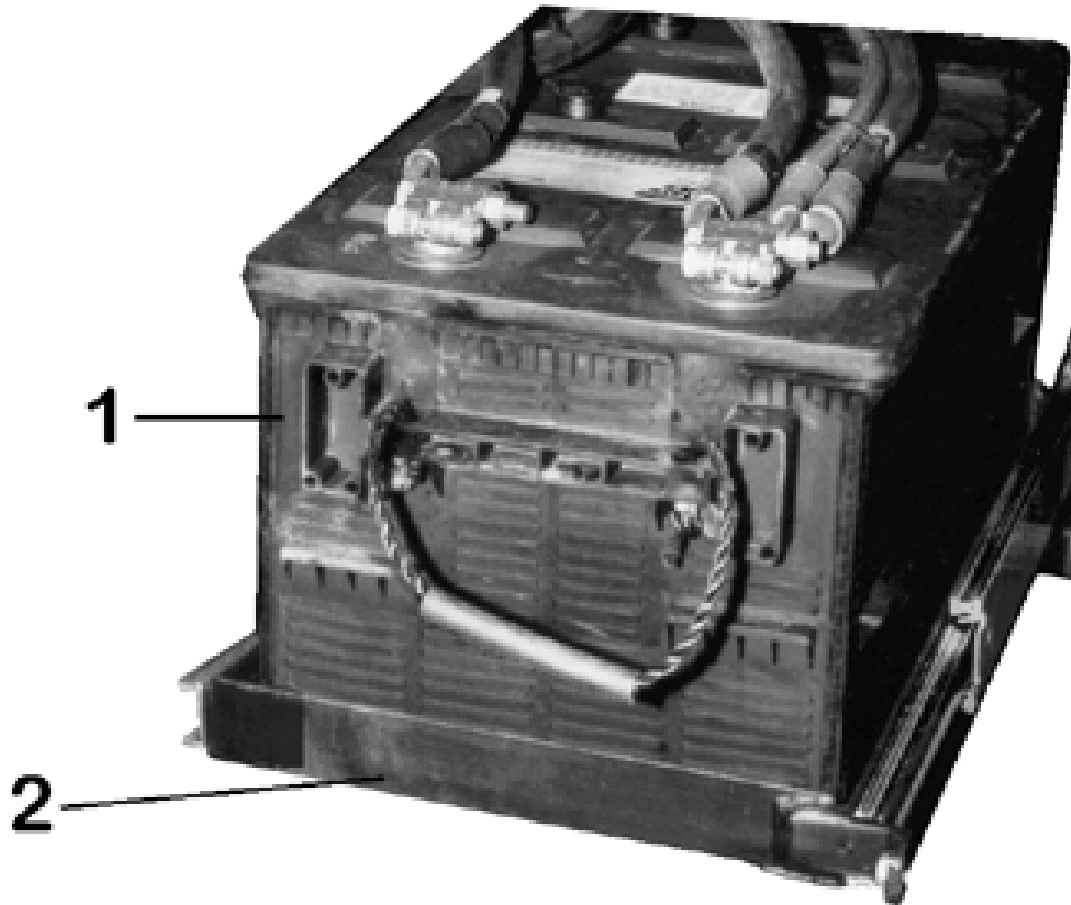


Figure 1.

Coach Batteries

27P0138-1

Battery Installation

Item#	Part Number	Qty	UM	Description	Start
01	P38112	8G8D	3	EA BATTERY, GELL, 12VOLT	5388
02	P51675	A7338	1	KT SHELF ASSEMBLY, BATTERY, LOWER NON-SLIDING	5406

INVERTER / CHARGER ASSEMBLY



Figure 1.

29P0141
Group 141 Inverter.PCX
Rev. 09/00

Start Unit #5626

27P0141

Inverter / Charger Assembly

Item#	Part Number	Qty	UM	Description	Start
01	P38202	805-3020	1	KT INVERTER / CHARGER ASSEMBLY, 2w / 100amp	5626
02	P38167	808-8000	2	EA SENSOR, BATTERY TEMPERATURE, PROSINE INVERTER	5472

ISOLATOR/START PANEL ASSEMBLY

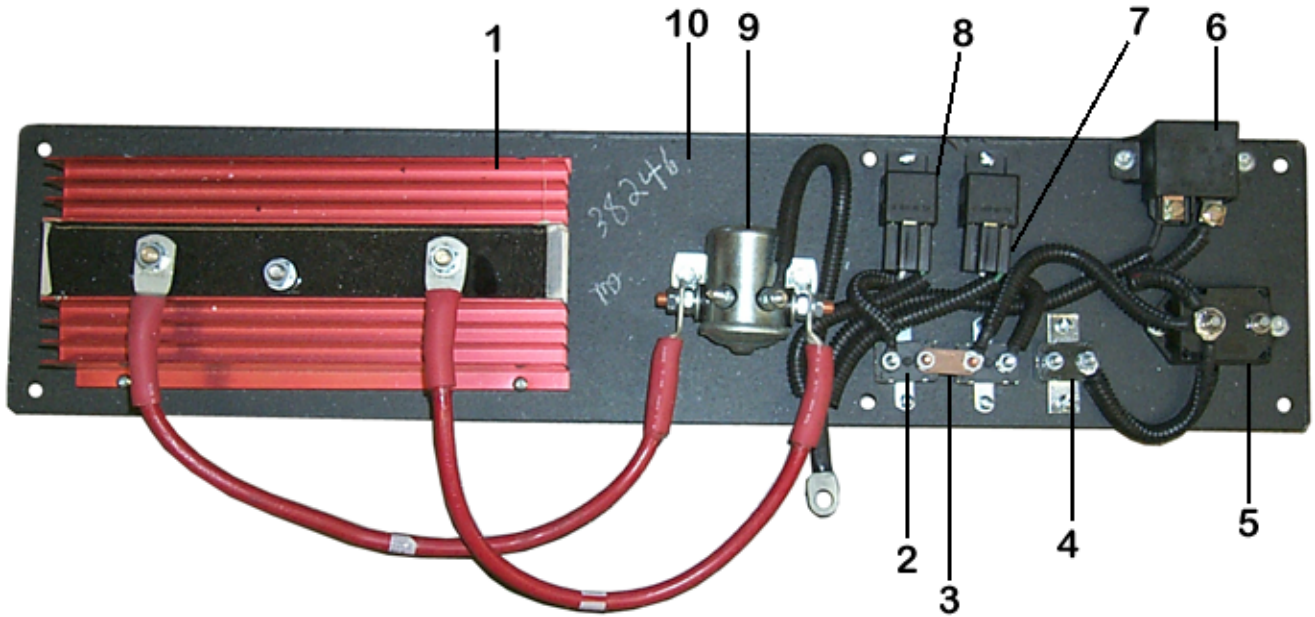


Figure 1.

27P0142

Isolator / Auxillary Start Panel

Item#	Part Number	Qty	UM	Description	Start
	P38246	B2126	EA	ISOLATOR / AUXILLARY START PANEL ASSEMBLY	5592
01	P20446	22-31	1	EA ISOLATOR, 190 AMP, 2 BATTERY	4754
02	P7000452		2	EA CIRCUIT BREAKER, 15 AMP	3344
03	P35467	A5232	1	EA BUSS BAR, COPPER, 8-GANG	5592
04	P0391010	30128-30	1	EA CIRCUIT BREAKER, 30 AMP W/BRKT	3321
05	P30139		1	EA CIRCUIT BREAKER, 90 AMP	3689
06	P29277	0332-002-150	1	EA REALY, BOSCH 75AMP POWER	5592
07	P0350011		2	EA TERMINAL BRACKET, RELAY	3321
08	P0350010		2	EA RELAY, BOSCH	3321
09	P38226	77-90000-100	1	EA SOLENOID, 4 POST, 100AMP/12VOLT CONTINUOUS DUTY	5592
10	P38245	A7634	1	EA PLATE, MOUNTING, ISOLATOR / AUXILLARY START	5592

BREAKER BOARD ASSEMBLY

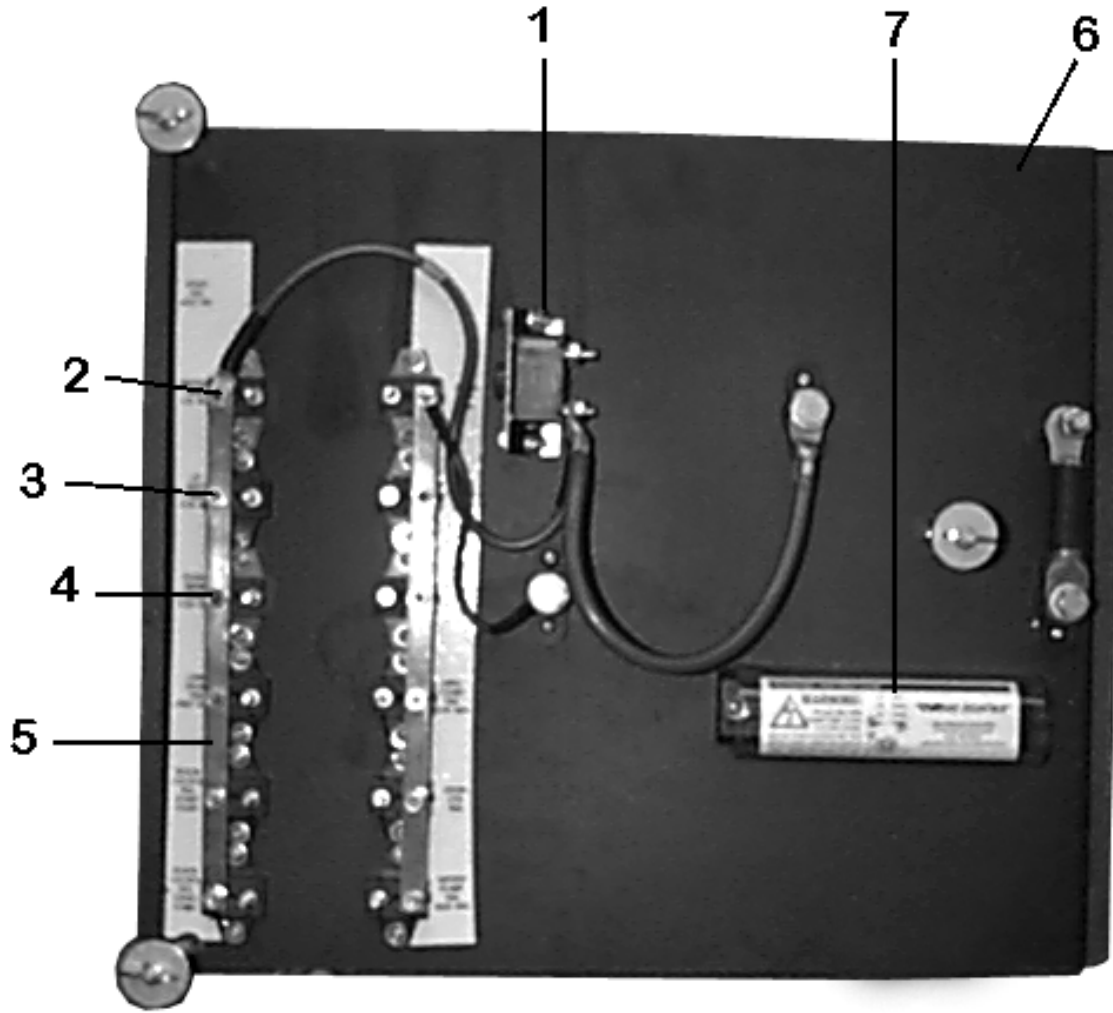


Figure 1.

12v Breaker Board

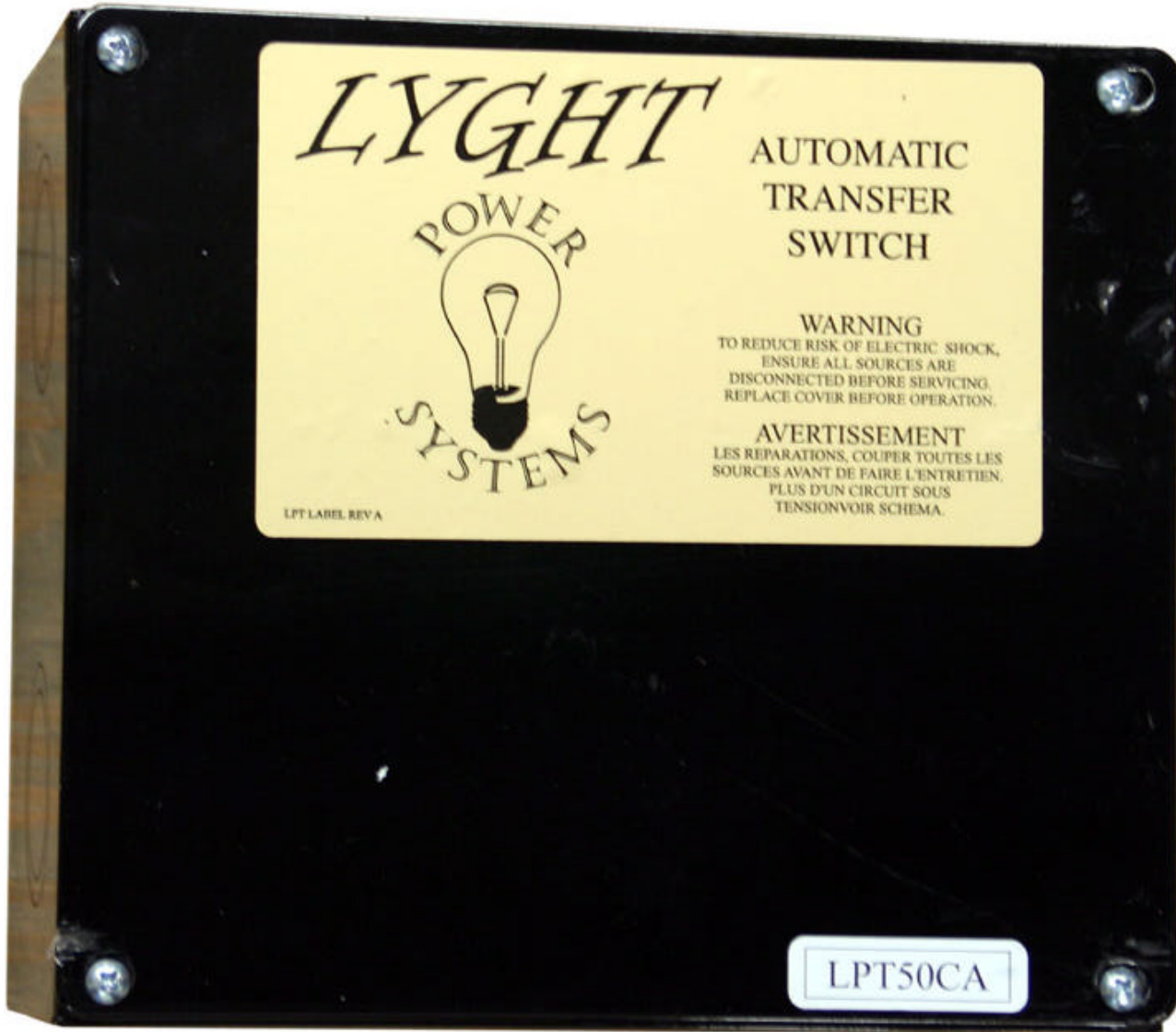
27P145
Group 145 Breaker {270}.PCX
Rev. 07/98

27P0145

Breaker Board Assy, 12 Volt

Item#	Part Number	Qty	UM	Description	Start
	P29284			BREAKER BOARD ASSEMBLY, 12V	5387
01	P32397	1	EA	CIRCUIT BREAKER, 90 AMP	4054
02	P34181	5	EA	CIRCUIT BRKR,30 AMP, MAN RESET	4275
03	P34179	2	EA	CIRCUIT BRKR,10 AMP,MAN RESET	4278
04	P34180	5	EA	CIRCUIT BRKR,15 AMP, MAN RESET	4229
05	P39050	2	EA	BUSS BAR, 6 CIRCUIT BREAKER	5387
06	P29278	1	EA	MOUNT PLATE, CIRCUIT BREAKER	5387
07	P34906	1	EA	FUSE KIT, 300 AMP	4350

Relay, Generator Transfer



\\01 Pictures\group 0100\Group-147-Relay.jpg

27P0147

Relay, Generator Transfer

8/24/2005

Item#	Part Number	Qty	UM	Description	Start
00	LPT50CA	1	EA	RELAY, GENERATOR TRANSFER, 50AMP	3321-5990

TANK ASSEMBLY, LIQUID PROPANE U270

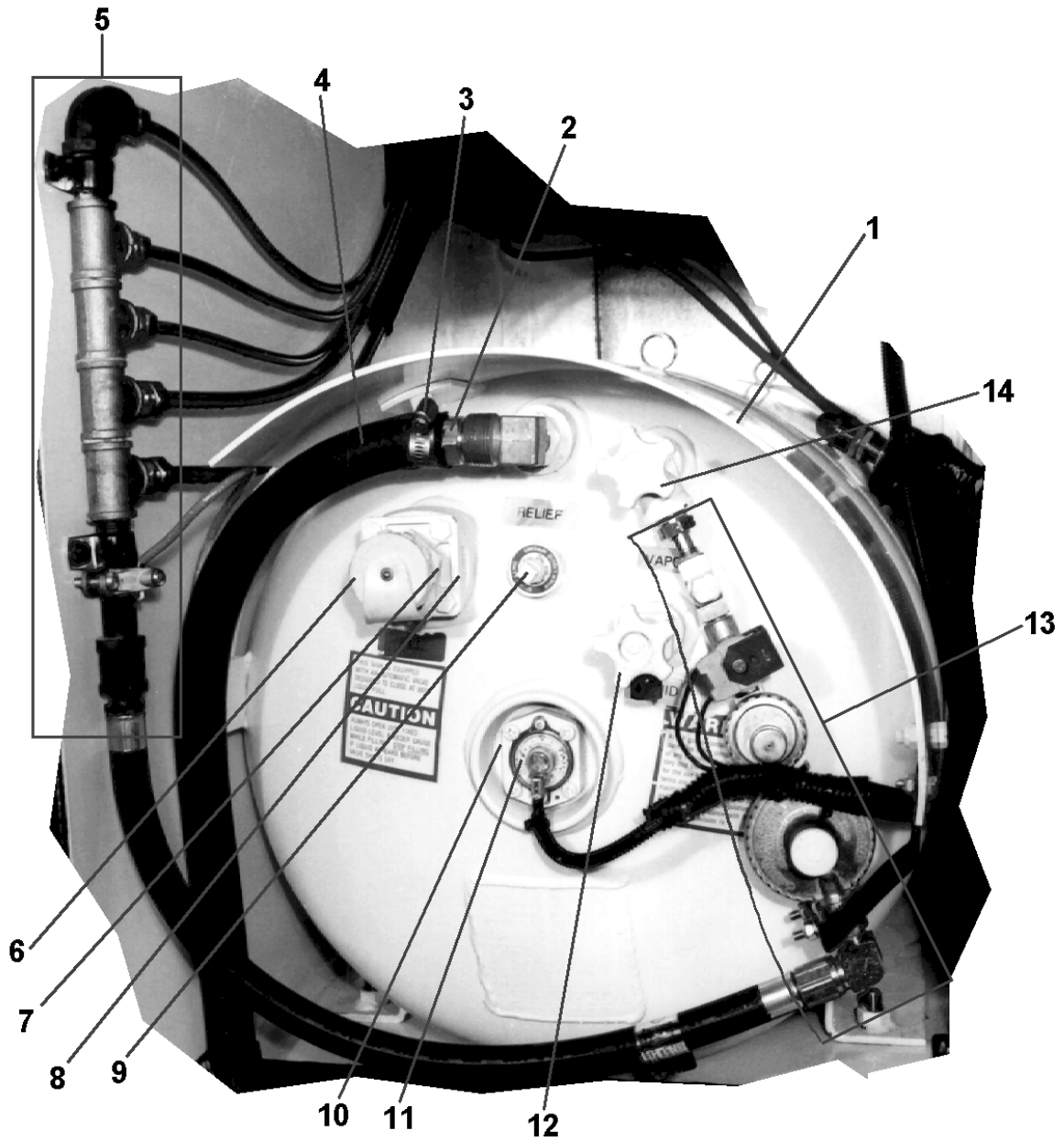


Figure 1.

LP Tank Assembly

27P150
28LP-2.PCX
Rev. 03-96

27P0150

Tank Assembly, Liquid Propane

Item#	Part Number	Qty	UM	Description	Start
01	P24238	1	EA	TANK, LIQUID PROPANE, 20 X 43	4953
02	P7000189	1	EA	FITTING, BRASS NIPPLE 3/4" MPT X 1" HOSE BARB	3336
03	32010	1	EA	CLAMP, HOSE, 1 1/2"	3321
04	P7000447	36	FT	HOSE, HEATER, 1 BULK	3344
05	NOTE153			SEE GROUP 153: LP MANIFOLD	
06	G1014-A	1	EA	CAP, FILL VALVE	3839
07	G1014	1	EA	VALVE, FILL	3321
08	TL3	1	EA	VALVE, TRIPLE "L"	3839
09	G1013	1	EA	VALVE, RELIEF, 20%	3321
10	G1106	1	EA	CHAMBER, REMOTE, L P GAUGE	3839
11	G12547	1	EA	SENDER, LP, 0-90 OHM	3321
12	901C5	2	EA	VALVE, SHUT-OFF, LIQUID/VAPOR	3321
13	NOTE154			SEE GROUP 154: LP REGULATOR	
14	901C5	2	EA	VALVE, SHUT-OFF, LIQUID/VAPOR	3321

MANIFOLD ASSEMBLY, LP SYSTEM

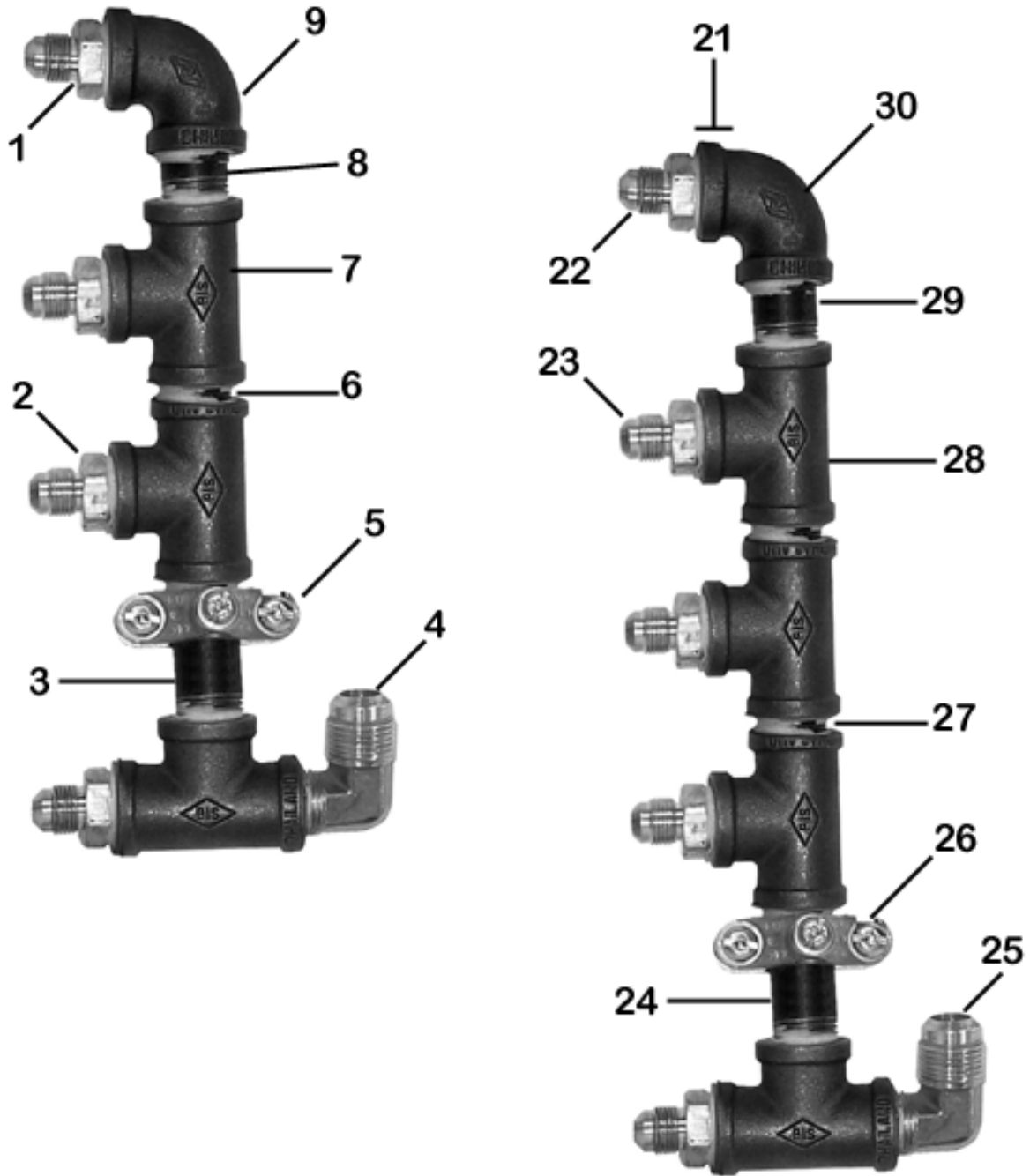


Figure 1.

36-38' Manifold Assm. & 40' Manifold Assm.

27P0153

Manifold Assembly, LP

Item#	Part Number	Qty	UM	Description	Start
	P25380			MANIFOLD ASSEMBLY, L P	5070
01	P7000245	1	EA	FITTING, BRASS 1/2" TUBE X 1/2" MPT	3336
02	P7000287	3	EA	FITTING, BRASS 3/8" FLARE X 1/2" MPT	3336
03	P36234	1	EA	FITTING, NIPPLE, BLACK PIPE 1/2" X 3" LONG	3321
04	P37283	1	EA	FITTING, BRASS, 90 DEG. ELBOW 5/8" TUBE X 1/2"-14 MPT	4537
05	P0340050	1	EA	CLAMP, GROUNDING	3321
06	P079391	1	EA	FITTING, NIPPLE, BLACK PIPE 1/2" X CLOSE	3321
07	P077506	3	EA	FITTING, TEE, 1/2 X 1/2 X 1/2	3321
08	P7000448	1	EA	FITTING, NIPPLE, BLACK PIPE 1/2" X 2" LONG	3344
09	P07937	1	EA	FITTING, ELBOW, BLACK PIPE 90 DEGREE	3321
20	NOTE155			P25379 is used on 40' application ONLY.	
21	P25379			MANIFOLD ASSEMBLY, L P	5073
22	P7000245	1	EA	FITTING, BRASS 1/2" TUBE X 1/2" MPT	3336
23	P7000287	4	EA	FITTING, BRASS 3/8" FLARE X 1/2" MPT	3336
24	P36234	1	EA	FITTING, NIPPLE, BLACK PIPE 1/2" X 3" LONG	3321
25	P37283	1	EA	FITTING, BRASS, 90 DEG. ELBOW 5/8" TUBE X 1/2"-14 MPT	4537
26	P0340050	1	EA	CLAMP, GROUNDING	3321
27	P079391	2	EA	FITTING, NIPPLE, BLACK PIPE 1/2" X CLOSE	3321
28	P077506	4	EA	FITTING, TEE, 1/2 X 1/2 X 1/2	3321
29	P7000448	1	EA	FITTING, NIPPLE, BLACK PIPE 1/2" X 2" LONG	3344
30	P07937	1	EA	FITTING, ELBOW, BLACK PIPE 90 DEGREE	3321

REGULATOR ASSEMBLY, LP SYSTEM

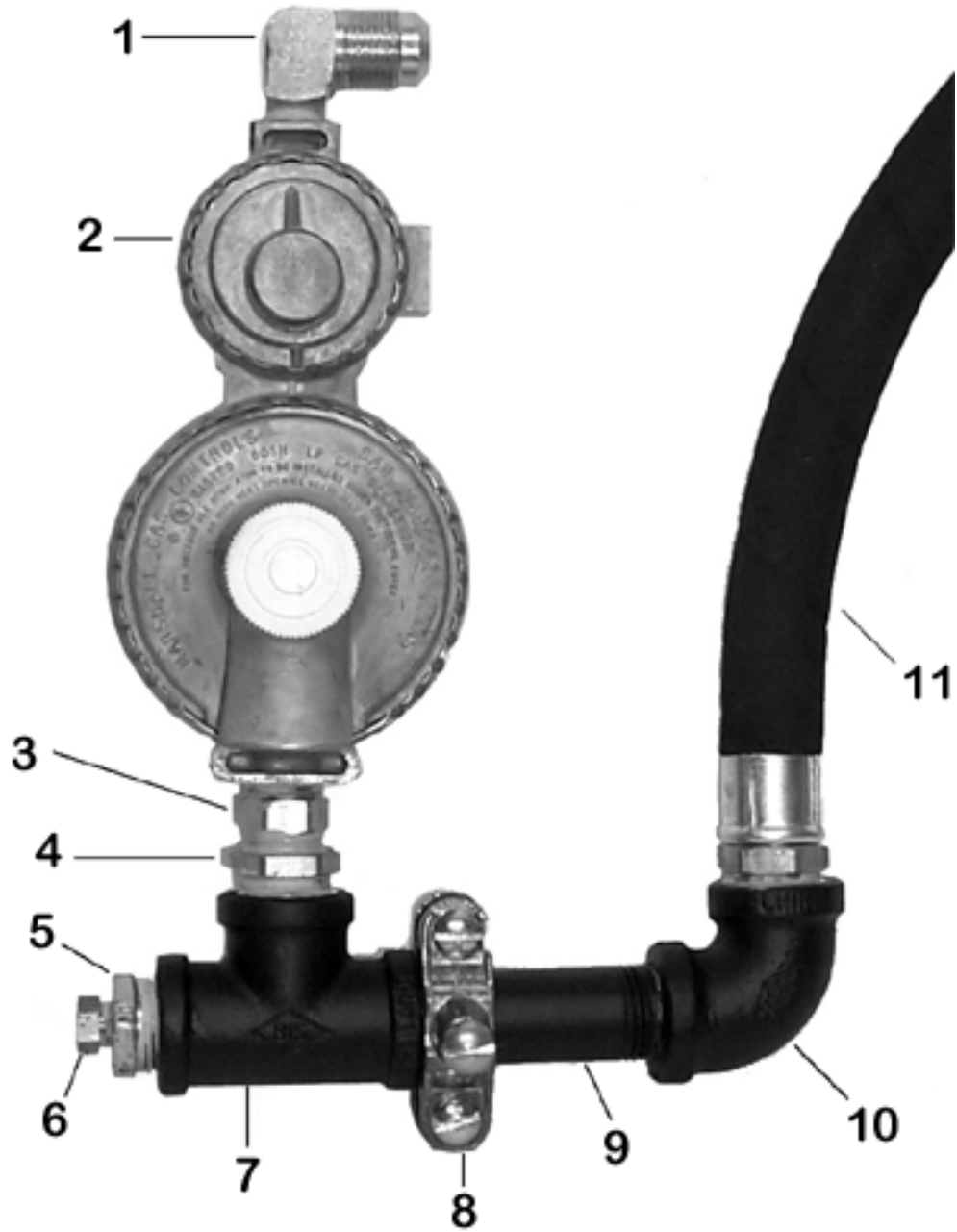


Figure 1.

27P0154

Regulator Assembly, LP

Item#	Part Number	Qty	UM	Description	Start
	P25376			REGULATOR ASSEMBLY, LP	5070
01	P31074	49X8X4	1	EA ELBOW, BRASS, 90 DEG. ELBOW, 1/2" FLARE X 1/4" MPT	4642
02	P06753		1	EA REGULATOR, L P , TWO-STAGE	3321
03	P7000266	3325X6	1	EA NIPPLE, BRASS HEX, 3/8" MPT	3336
04	P07596		1	EA FITTING, BRASS BUSHING 1/2" MPT X 3/8" MPT	
05	P30309		1	EA FITTING, BRASS BUSHING 1/2" MPT X 1/8" FPT	
06	P07729	3152X2	1	EA FITTING, BRASS, 1/8" MPT X HEX HEAD PLUG	3321
07	P077506		1	EA FITTING, TEE, 1/2 X 1/2 X 1/2	3321
08	P0340050		1	EA CLAMP, GROUNDING	3321
09	P36234		1	EA FITTING, NIPPLE, BLACK PIPE 1/2" X 3" LONG	3321
10	P07937		1	EA FITTING, ELBOW, BLACK PIPE 90 DEGREE	3321
11	P067361		1	EA HOSE, 1/2 L P MANIFOLD	3321

TANK FITTING ASSEMBLY, LP SYSTEM, U270

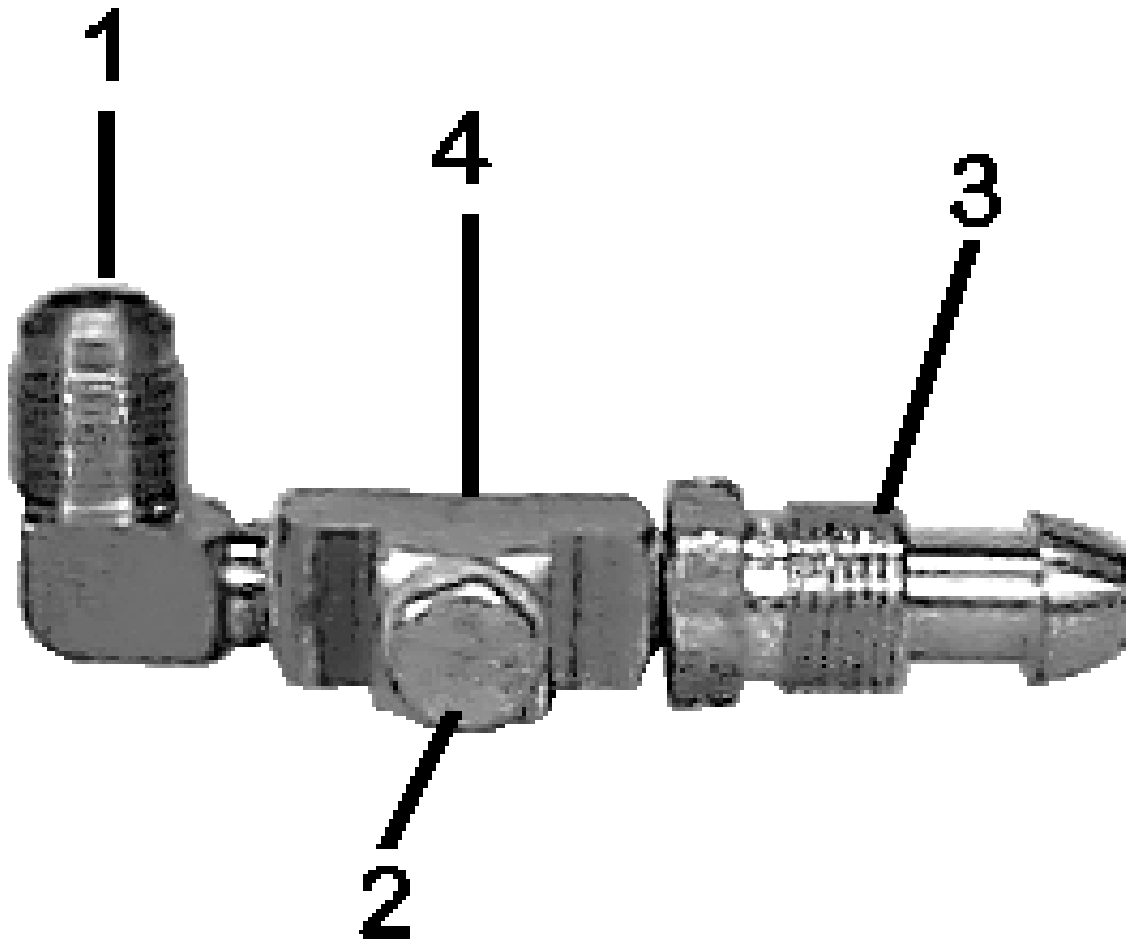


Figure 1.

Tank Fitting Assembly

27P156-1
156-FTNG.PCX
Rev. 05/15/97

27P0156-1

Tank Fitting Assembly, LP

Item#	Part Number	Qty	UM	Description	Start
	P25381			TANK FITTING ASSEMBLY, L P	5070
01	P31074	49X8X4	1	EA ELBOW, BRASS, 90 DEG. ELBOW, 1/2" FLARE X 1/4" MPT	4642
02	P077291		1	EA FITTING, BRASS PLUG, 1/4" MPT HEX HEAD	3321
03	P22056	G1675	1	EA VALVE, P.O.L., FULL FLOW	5016
04	P077505		1	EA FITTING, BRASS TEE, 1/4" FPT	3321

QUICK DISCONNECT FITTING ASSEMBLY, LP SYSTEM, U270

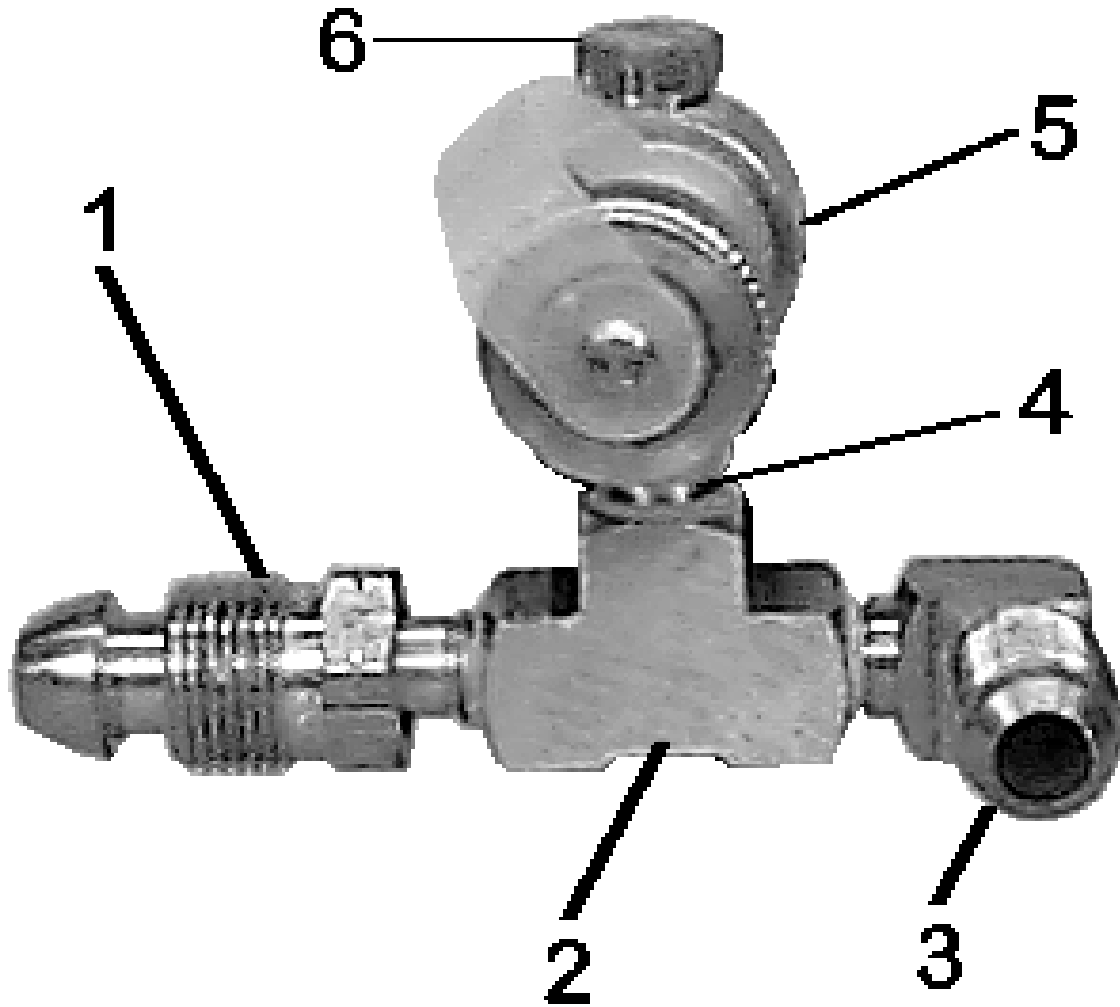


Figure 1.

Quick Disconnect Fitting Assembly

27P158-1
158-DISC.PCX
Rev. 05/15/97

27P0158-1

Quick Disconnect Assy, LP, Optional

Item#	Part Number	Qty	UM	Description	Start
	P25382			QUICK DISCONNECT ASSEMBLY, L P	5070
01	P22056	1	EA	VALVE, P.O.L., FULL FLOW	5016
02	P077505	1	EA	FITTING, BRASS TEE, 1/4" FPT	3321
03	P31074	1	EA	ELBOW, BRASS, 90 DEG. ELBOW, 1/2" FLARE X 1/4" MPT	4642
04	P0775051	1	EA	FITTING, BRASS NIPPLE, 1/4"HEX	5070
05	P067548	1	EA	TRAILER ADAPTER, FOR L P QUICK DISCONNECT	3360
06	P077291	1	EA	FITTING, BRASS PLUG, 1/4" MPT HEX HEAD	3321

PLUMBING, HOLDING TANK U270

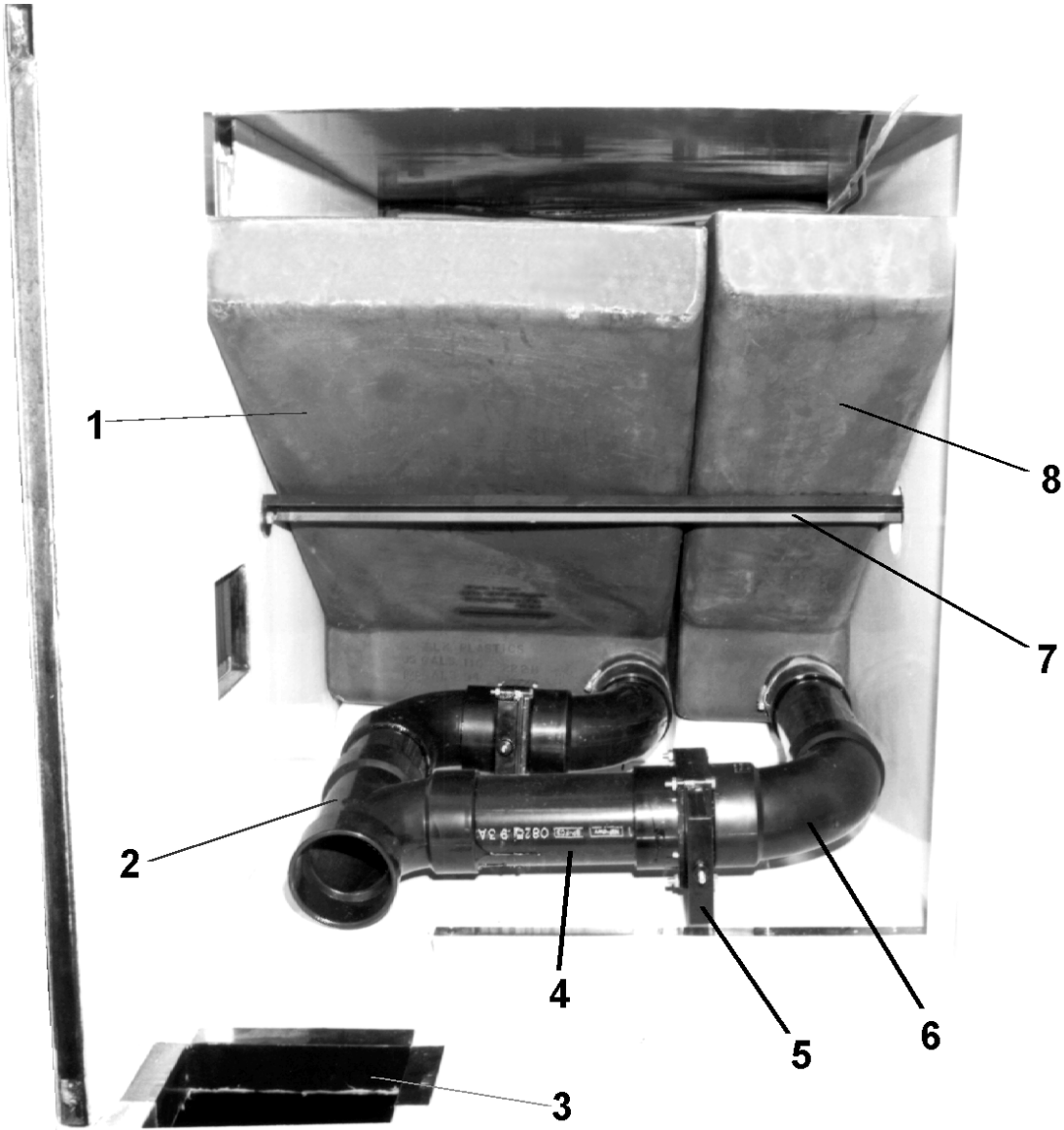


Figure 1.

27P0164

Holding Tank, Plumbing

Item#	Part Number	Qty	UM	Description	Start
01	P5354	1	EA	TANK, HOLDING, 110 GALLON	3530
02	P07480	1	EA	TEE, 3" ABS, HUB X 3	3321
03	NOTE106	1		TRIM, THRU FLOOR OPENING	3530
04	P07550	6	FT	PIPE, 3" ABS	3321
05	P5543	2	EA	VALVE, 3" ABS, SEWER DUMP	3485
06	P073601	3	EA	ELBOW, 3" ABS, 90 DEGREE H X H LONG TURN	3321
07	P33438	1	EA	BRACKET SET, TANK SUPPORT	4222
08	P5353	1	EA	TANK, HOLDING, 54 GALLON	3530

PLUMBING, WATER TANK

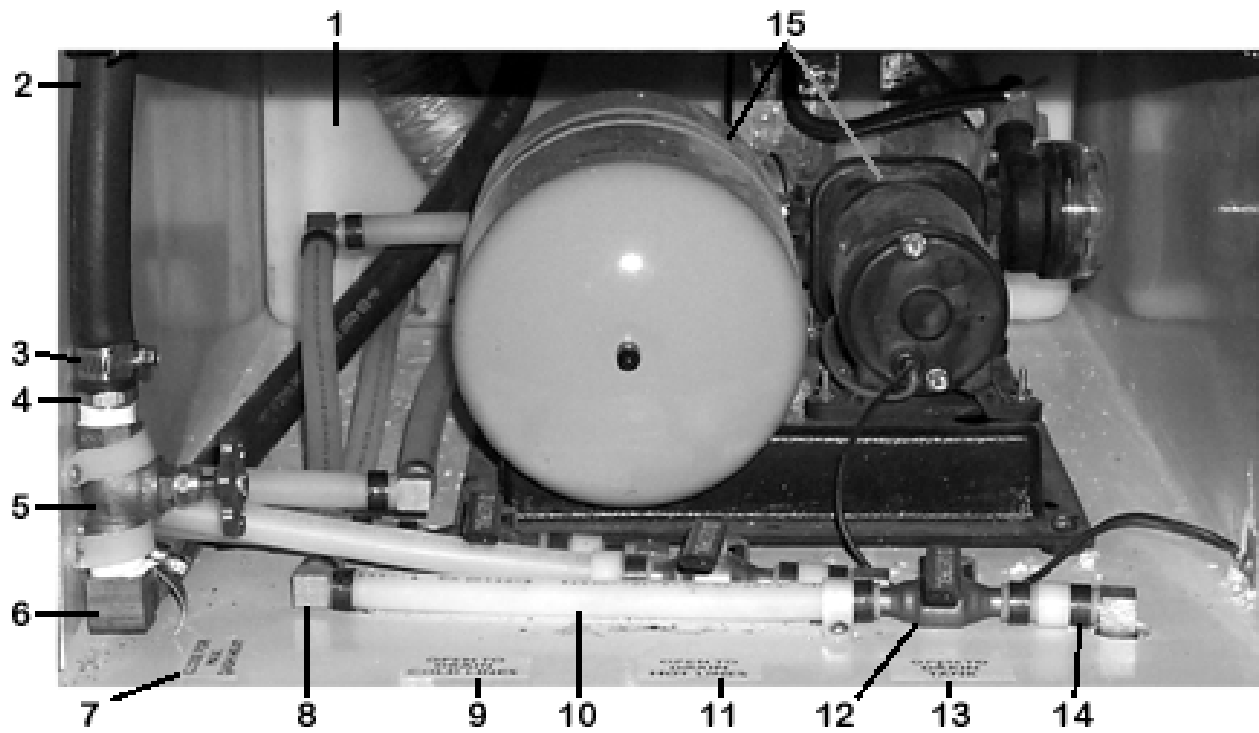


Figure 1.

Start Unit #5387

27P0166-1

Plumbing, Water Tank

Item#	Part Number	Qty	UM	Description	Start
01	P5355	207W/1136/6662	1	EA TANK, 102 GALLON, FRESH WATER WITH #907 FITTINGS	3530
02	P06160	4230-0135	32	FT HOSE, HEATER, 5/8 BULK	
03	32010		2	EA CLAMP, HOSE, 1 1/2"	3321
04	H886		1	EA FITTING, HOSE ADAPTER 1/2" MPT X 5/8" BARB	3321
05	P08111	#75	1	EA VALVE, WATER, 1/2"FPT	3321
06	P7000191	269-HB-10-8	1	EA FITTING, BRASS ELBOW, 1/2"MPT X 5/8"BARB X 90DEG	3336
07	P27154	FT0104	1	EA LABEL, "CLOSE FOR MAXIMUM DASH HEAT"	5000
08	P25638	14722	20	EA FITTING, BRASS ELBOW, 1/2"BARB X 90DEG	5100
09	P27150	FT0100	1	EA LABEL, "OPEN TO DRAIN COLD LINES"	5000
10	P25636		80	FT WATER TUBE, 1/2 RED, "HOT"	5076
10A	P25637		100	FT WATER TUBE, 1/2 BLUE, "COLD"	5076
11	P27149	FT0099	1	EA LABEL, "OPEN TO DRAIN HOT LINES"	5000
12	P25639	001968	5	EA VALVE, WATER, 1/2"BARB X 1/2"BARB, BALL	5100
13	P27151	FT0101	1	EA LABEL, "OPEN TO DRAIN TANK"	5000
14	P25631	14785	160	EA CRIMP RING, WATER TUBE, 1/2"ID	4842
15	NOTE168			EA SEE GROUP 168: WATER PUMP W/ A	

WATER PUMP ASSEMBLY with ACCUMULATOR

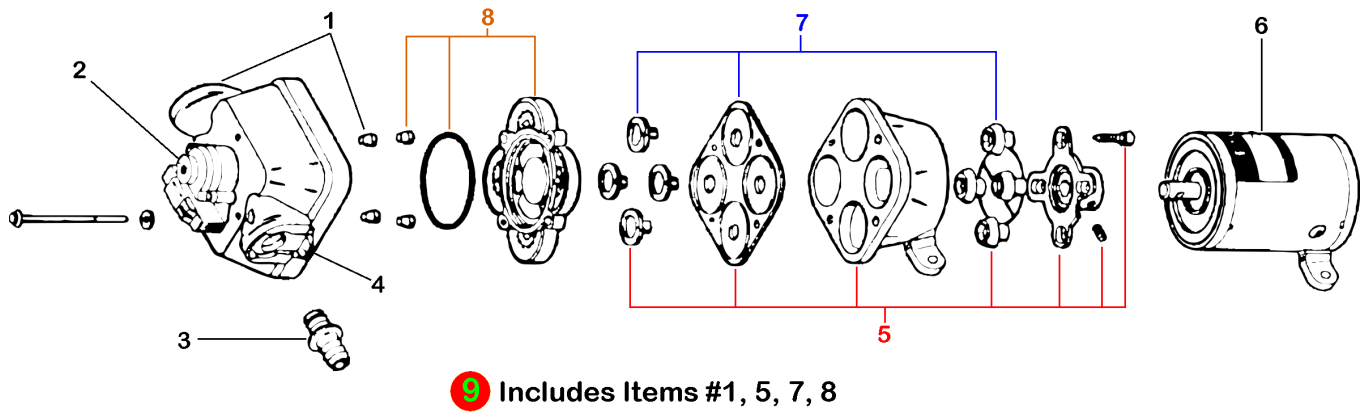


Figure 1.

Water Pump

27P0168

Water Pump Assy. With Accumulator

Item#	Part Number	Qty	UM	Description	Start
	P28751			2840-100	5387
				WATER PUMP W/ ACCUMULATOR TANK	5387
01	20404-003	1	KT	KIT, HOUSING ASSEMBLY, UPPER	5387
02	02096-540	1	KT	SWITCH, PRESSURE, 40 PSI-OFF	5387
03	20381-022	1	EA	KIT, PORT (SET OF 2)	5387
04	20408-000	1	EA	PORT CLIPS (SET OF 2)	5387
05	20419-002	1	EA	HOUSING, LOWER	5387
06	02009-080A	1	EA	MOTOR, 12VDC, WATER PUMP	5387
07	20403-040	1	KT	KIT, DIAPHRAM, PISTONS, SCREWS	5387
08	20407-030	1	KT	KIT, CHECK VALVE	5387
09	20406-002A	1	KT	HEAD ASSEMBLY, WATER PUMP	5387
96	20799-000A	1	EA	TANK, ACCUMULATOR, FLOJET	5387
97	04325-143A	1	EA	MOTOR / PUMP, COMPLETE, 12VDC	5387
98	01740-000	1	EA	STRAINER, INLINE, 3/4" HOSE	5387
99	20409-043	1	EA	KIT, SERVICE	5387

PLUMBING, WATER MANIFOLD

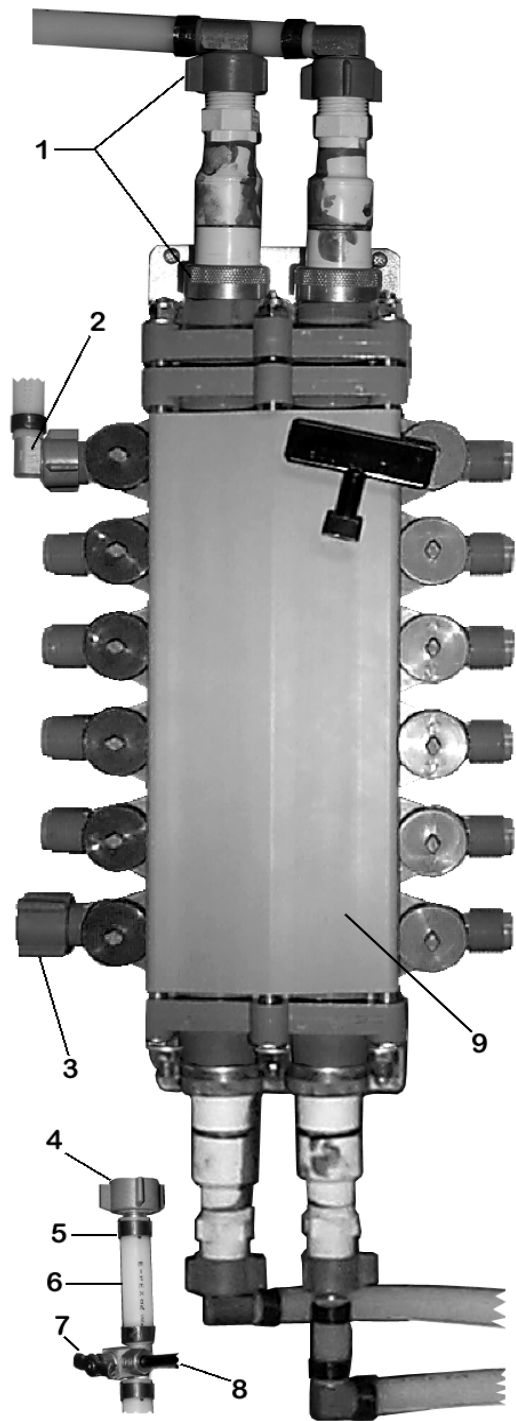


Figure 1.

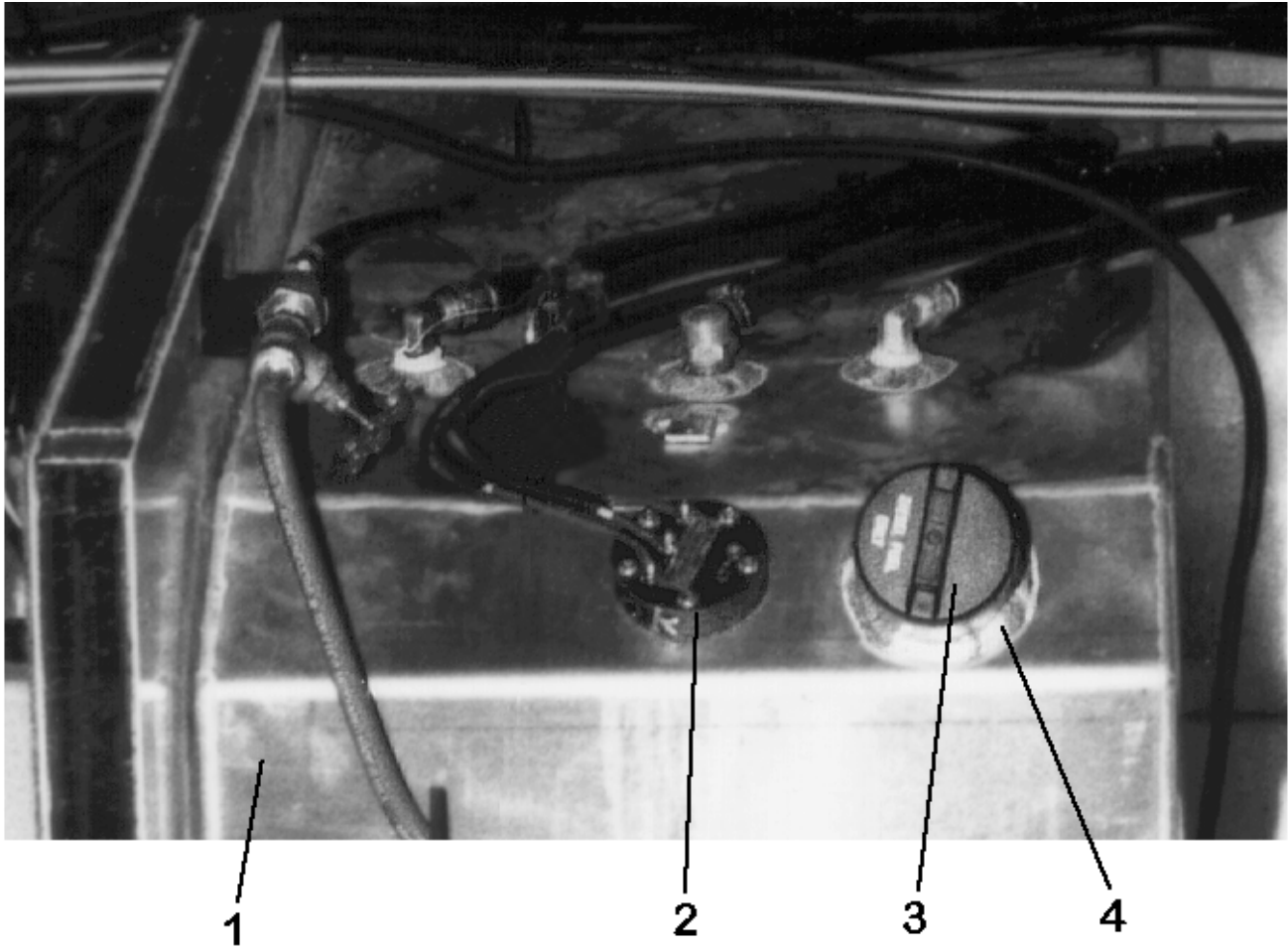
Start Unit #4995

27P0169

Plumbing, Water Manifold

Item#	Part Number	Qty	UM	Description	Start
01	P25453	4	EA	FITTING ASSEMBLY, TRANSITIONAL, WATER MANIFOLD TO QUEST TUBE	5027
02	P25632	14740	EA	FITTING, BRASS SWIVEL, 1/2"FPT X 1/2"BARB	4842
03	P24216	RXPC3	EA	CAP, PLUMBING MANIFOLD VALVE	4995
04	P25635	14035	EA	NUT, 1/2"FIP, CENTER SET	4842
04A	P25634	14750	EA	FITTING, BRASS TRIM, 3/8"BEVEL X 1/2"BARB	4842
04B	P25633	14009	EA	WASHER, CONE, 3/8"BEVEL X 1/2"ID	4842
05	P25631	14785	EA	CRIMP RING, WATER TUBE, 1/2"ID	4842
06	P25637		FT	WATER TUBE, 1/2 BLUE, "COLD"	5076
06A	P25636		FT	WATER TUBE, 1/2 RED, "HOT"	5076
07	P25630	14792	1	EA VALVE, BRASS, 1/2"BARB X 1/2"BARB X 1/4" TUBE	4842
08	P0801515	17575	40	FT TUBE, 1/4"OD X 1/8"ID, POLY	4842
09	P24205	MBD3B12C2	1	EA MANIFOLD, WATER PLUMBING	4995

FUEL TANK ASSEMBLY



999 not shown

Figure 1.

150 Gallon Tank

27P0180

Fuel Tank Assembly, 150 Gallon

Item#	Part Number	Qty	UM	Description	Start
01	P34466	A4840/41	1	EA FUEL TANK, 150 GALLON, BUS	4308
02	P33346	CGF-24	1	EA SENDER, FUEL LEVEL, 24 1/2" 33 TO 240 OHM	4093
03	P5310	AA0-4452	1	EA FUEL CAP, DIESEL, BLACK "DIESEL FUEL ONLY"	3492
04	P7000506		1	EA RING, FUEL CAP, DIESEL	3336
999	22010551	29892	2	EA TANK VENT, FUEL ROLLOVER, 70 SCFH @18" WATER PRESSURE (will direc	6368



Foretravel, inc.
Motorhomes

Group 200
Engine

ENGINE ASSEMBLY

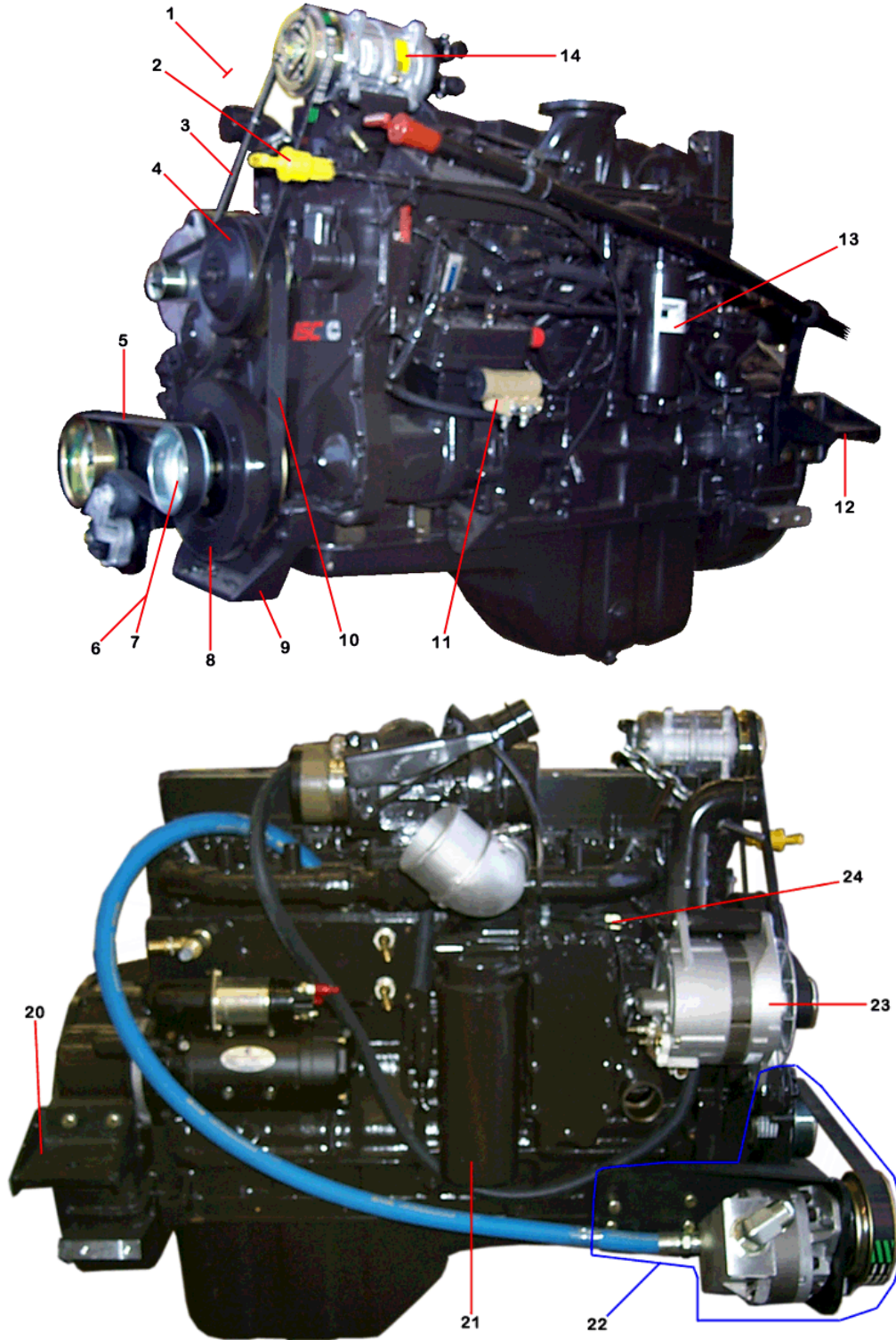


Figure 1.

Start Unit #5784

27P0210.fm
E30 Passenger.PCX
E30 Driver.PCX
Rev. 09/00

27P0210

Engine Assembly, E30

Item#	Part Number	Qty	UM	Description	Start
01	P54386	1	EA	ENGINE, ISC8.3, 350HP, DIFF. TURBO	5586
02	P54425	1	EA	TRANSMISSION, 4000MH: SEE ALLISON MANUAL FOR OEM PARTS	5748
02A	P33684	1	EA	DIPSTICK ASSEMBLY, TRANSMISSION, MD3000MH	5793
03	9476	1	EA	BELT, A/C DRIVE	5492
04	3919624	1	EA	PULLEY, A/C DRIVE	3950
05	K080465	1	EA	BELT	5019
06	P33848	1	EA	PULLEY, 5" DIAMETER	4439
07	P38913	1	EA	ADAPTER, PULLEY	4794
07A	P38927	1	EA	PLATE, PULLEY	4794
08	3914450	1	EA	DAMPER, ENGINE CRANK	3950
09	NOTE295			SEE GROUP 295: FRONT MOTOR MOUNT	
10	K080680	1	EA	BELT	5387
11	NOTE230			SEE GROUP 230: AIR GOVERNOR	
12	P38467	1		PLATE,MOUNTING,HEART INTERFACE	4558
13	3800394	1	EA	FILTER, SECONDARY FUEL	5387
14	P28593	1	KT	COMPRESSOR, A/C, R134A	5387
20	P38467	1		PLATE,MOUNTING,HEART INTERFACE	4558
21	LF3000	1	EA	FILTER, OIL	3950
22	NOTE275			SEE GROUP 275: HYDRAULIC PUMP	
23	NOTE225			SEE GROUP 225: ALTERNATOR ASSEMBLY	
24	3918597	1	EA	HEATER, ENGINE COOLANT	3950

27P0225

Alternator Assembly, 130 amp

Item#	Part Number	Qty	UM	Description	Start
	P20440			2670J	
			EA	ALTERNATOR, 130 AMP	4754
01	76985	1	EA	NUT, 5/8"-18 HEX FLANGE	4754
02	3918275	1	EA	PULLEY, SERPENTINE	3797
03	79035	1	EA	FAN ASSEMBLY, ALTERNATOR	4754
04	59225	1	EA	SPACER, FAN, ALTERNATOR	4754
05	78983	1	EA	HOUSING, D.E.	4754
06	75451	6	EA	WASHER	4754
07	78991	3	EA	SCREW, #10-32 X 5.35" HEX	2695
08	6399	1	EA	KEY, #8 WOODRUFF	4754
09	100159	1	EA	STATOR, ALTERNATOR	4754
10	6423	2	EA	SCREW, #10-32	4754
11	2434	3	EA	LOCKWASHER, #10	4754
12	5291	2	EA	WASHER, GUARD	4754
13	13657	2	EA	WASHER, INSULATION	4754
14	97087	2	EA	BUSHING, INSULATION	4754
15	73543	4	EA	SCREW, #6-32 HEX	4754
16	79029	1	EA	LEAD ASSEMBLY, POSITIVE	4754
17	97084	1	EA	RECTIFIER ASSEMBLY, POSITIVE	4754
18	96031	2	EA	SCREW, #10-32 SELF-TAPPING	4754
19	73543	4	EA	SCREW, #6-32 HEX	4754
20	73760	1	EA	CLAMP	4754
21	96545	1	EA	CAPACITOR	4754
22	73547	2	EA	BUSHING, INSULATION	4754
23	96851	2	EA	BUSHING, INSULATION	4754
24	79071	2	EA	BUSHING, INSULATION	4754
25	79071	2	EA	BUSHING, INSULATION	4754
26	96851	2	EA	BUSHING, INSULATION	4754
27	97085	1	EA	RECTIFIER ASSEMBLY, NEGATIVE	4754
28	97596	1	EA	TERMINAL SCREW, NEGATIVE	4754
29	79028	1	EA	LEAD ASSEMBLY, NEGATIVE	4754
30	73543	4	EA	SCREW, #6-32 HEX	4754
31	78977	1	EA	TERMINAL SCREW, POSITIVE	4754
32	79022	1	EA	HOUSING, S.R.E.	4754
33	77916	1	EA	BUSHING, SLIDEABLE	4754
34	26175	3	EA	NUT, #10-32, ELASTIC STOP	4754
35	78990	1	EA	CAP, DUST	4754
36	75348	1	EA	SCREW	4754
37	79377	1	EA	STRAP	4754
38	79024	5	EA	NUT, #10-32 TENZ	4754
39	78994	3	EA	STUD, TERMINAL	4754
40	79031	1	EA	GASKET, REGULATOR HOUSING	4754
41	79030	1	EA	HOUSING, REGULATOR, ALTERNATOR	4754
42	73009	2	EA	NUT, 5/16"-18 TENZ	4754
43	3231	2	EA	LOCKWASHER, 5/16"	4754
44	2771	3	EA	NUT, 1/4"-20 HEX	4754
45	79055	1	EA	TERMINAL STUD, EXCITER	4754
46	79036	1	EA	TERMINAL ASSEMBLY	4754
47	2313	7	EA	NUT, #10-32 HEX ST.	4754
48	2434	3	EA	LOCKWASHER, #10	4754
49	79024	5	EA	NUT, #10-32 TENZ	4754
50	59982	1	EA	NUT, 1/4"-20	4754
51	26228	1	EA	WASHER, PLAIN	4754
52	2771	3	EA	NUT, 1/4"-20 HEX	4754
53	2523	1	EA	LOCKWASHER, 1/4"	4754
54	2771	3	EA	NUT, 1/4"-20 HEX	4754
56	77650	2	EA	BRUSH, ALTERNATOR	4754
57	79033	1	EA	SCREW, #10-32 SQUARE HEAD	4754
58	2313	7	EA	NUT, #10-32 HEX ST.	4754
59	78625	1	EA	ROLLER BEARING, ROTOR	4754
60	71189	1	EA	SLIP RING	4754
61	100199	1	EA	ROTOR, ALTERNATOR	4754
62	58754	4	EA	SCREW, #10-32 X .44" FLAT HEAD	4754
63	59234	1	EA	RETAINER, BEARING	4754
64	35624	1	EA	BEARING, ROTOR	4754

3/26/96

ALTERNATOR, 130 amp U270

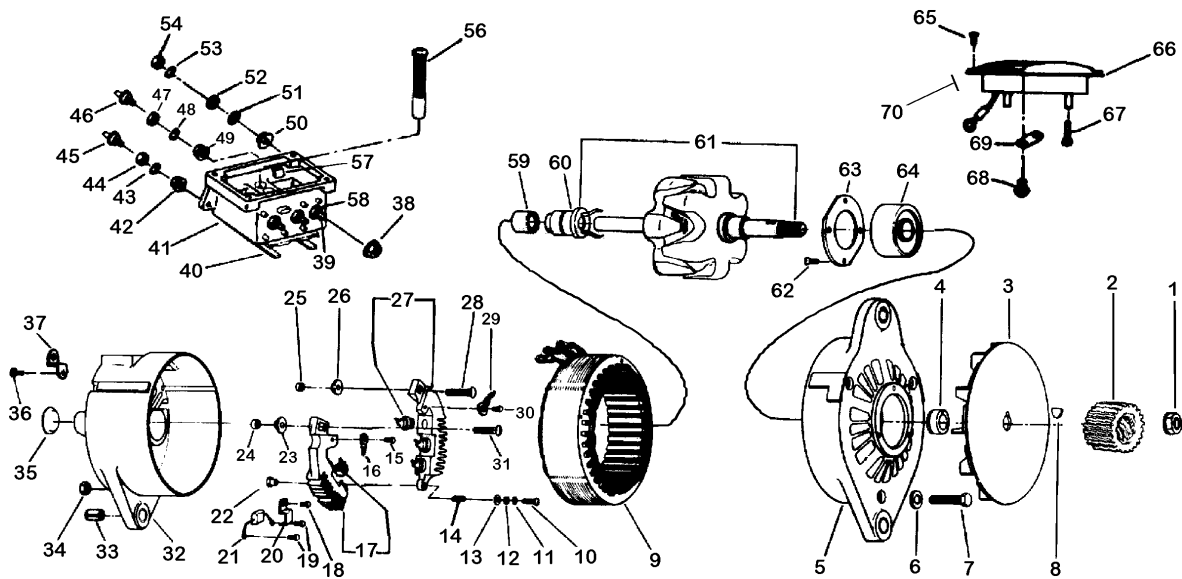


Figure 1.

Alternator, 130 amp

27P225
220-ALT.PCX
Rev. 03-96

65	96668	4	EA	SCREW, #8-32 X .44" PAN HEAD	4754
66	95086	1	EA	GASKET, REGULATOR	4754
67	100111	2	EA	SCREW, #6-32 X .5" PAN HEAD	4754
68	100110	2	EA	SCREW, #6-32 X .32" PAN HEAD	4754
69	96257	1	EA	STRAP	4754
70	79000	1	EA	REGULATOR, DOMETOP, ALTERNATOR	4754

GOVERNOR ASSEMBLY, U270

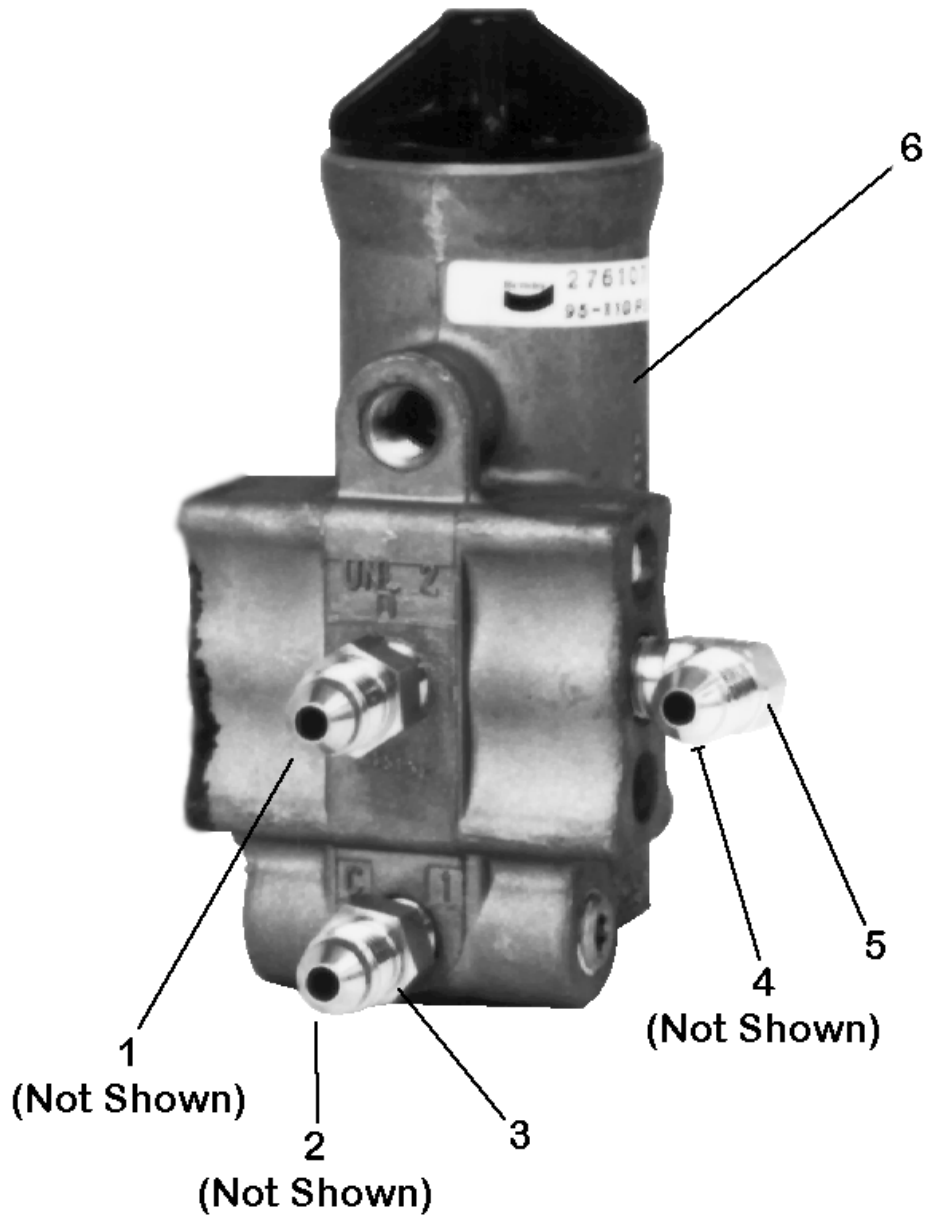


Figure 1.

Governor Assembly

27P0230-1

Air Governor Assembly

Item#	Part Number	Qty	UM	Description	Start
01	P3424	1	EA	HOSE, WET TANK TO GOVERNOR 1/4" X 132" LONG	3587
02	P3245	1	EA	HOSE, #04, 28"	4224
03	P7000142	2	EA	FITTING, HOSE, ADAPTER 1/8"-27 MPT X 1/4"	
04	P3585	1	EA	HOSE, COMPRESSOR TO GOVERNOR 1/4" X 12" LONG	3967
05	P7000136	1	EA	FITTING, HOSE, 90 DEG 1/8"-27 MPT X 7/16"-20 FLARE	3358
06	P23199	1	EA	GOVERNOR, AIR PRESSURE {105-110 LBS}	5019

CHARGED AIR COOLING ASSEMBLY

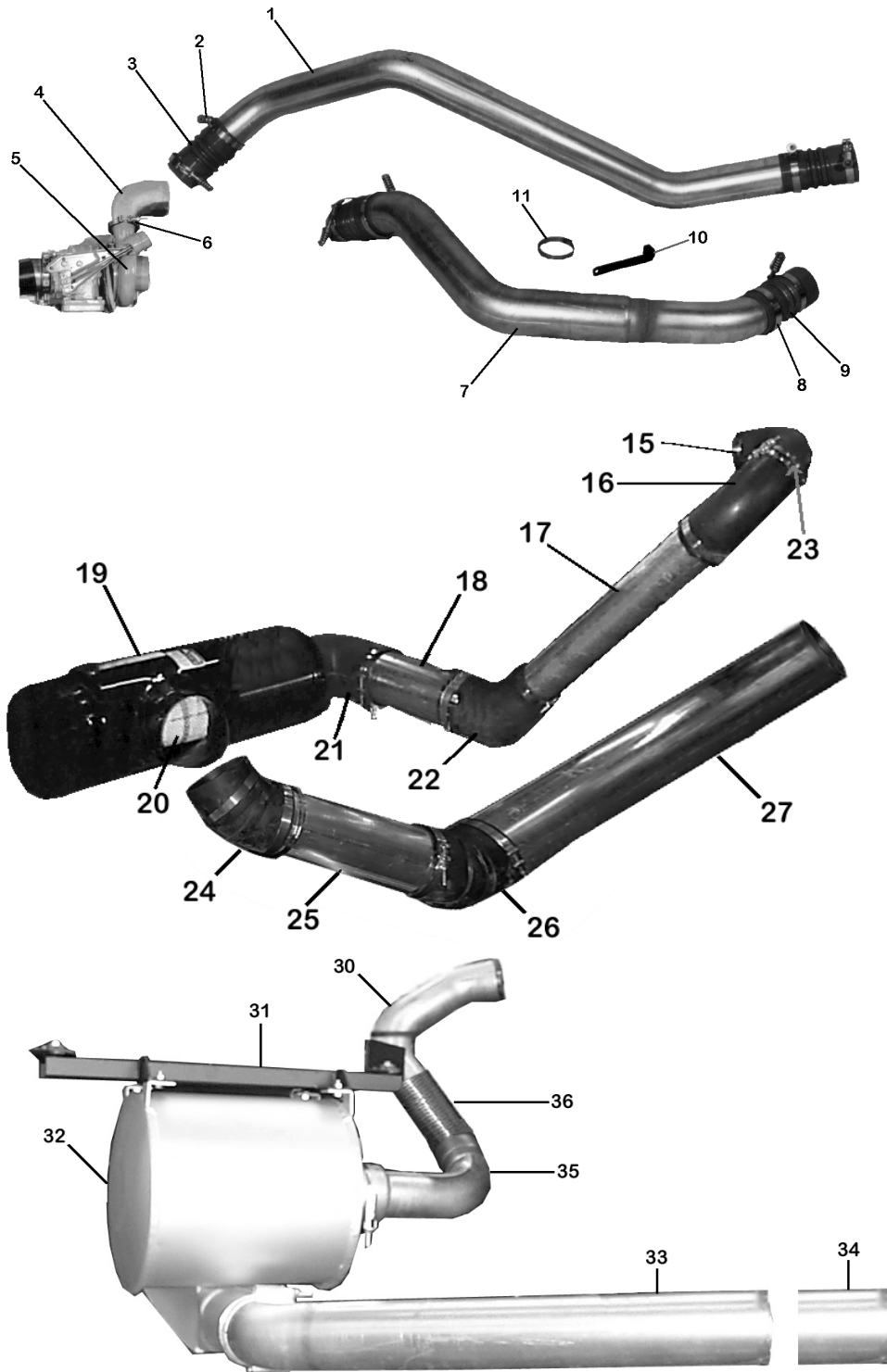


Figure 1.

Start Unit #5592

27P255-2.fm
28-255-1.PCX
ISC-intake.PCX
ISC-exhaust.PCX
Rev. 08/99

Item#	Part Number	Qty	UM	Description	Start	
01	P54390	A7647	1	EA	PIPE ASSEMBLY, TURBO TO COOLER	5595
02	P33823	3926704	8	EA	CLAMP, 4 CONSTANT TORQUE	
03	3071049		3	EA	HOSE, 3" DIA X 6" LONG, C.A.C.	3950
04	3883977		1	EA	ELBOW, TURBO TO C.A.C. PIPE	3950
05	3591022		1	EA	TURBO ASSEMBLY, E28	5387
06	3069053		1	EA	CLAMP, TURBO ELBOW	3950
07	P30086	A7486	1	EA	PIPE ASSEMBLY, TURBO TO COOLER	5390
08	P33823	3926704	8	EA	CLAMP, 4 CONSTANT TORQUE	
09	30710350		1	EA	HOSE, 4" DIA X 6" LONG, C.A.C.	3950
10	P33093	A4471	1	EA	BRACKET, PIPE SUPPORT	3967
11	P3678		1	EA	CLAMP, HOSE, #40, WORM GEAR	
15	P31099	90HL4SR	2	EA	ELBOW, RUBBER, 4" X 4 90 DEG	3842
16	P31099	90HL4SR	2	EA	ELBOW, RUBBER, 4" X 4 90 DEG	3842
17	P33300		3	EA	TUBE, ALUMINUM, AIR INTAKE 4" DIA X 8" LONG	4056
18	P33300		3	EA	TUBE, ALUMINUM, AIR INTAKE 4" DIA X 8" LONG	4056
19	P33638	ECG11-2001	1	EA	AIR CLEANER ASSEMBLY	4095
20	AF1838M		1	EA	FILTER ELEMENT, AIR (NOT SHOWN)	4095
21	P33202	90HL70R50	1	EA	ELBOW, RUBBER, 7" X 5 90 DEG	3967
21A	P33081	237-0450	1	EA	BUSHING, RUBBER, 5" X 4"	3950
22	P31021	45 HL4	1	EA	ELBOW, RUBBER, 4 45 DEGREE	3863
23	P33300		3	EA	TUBE, ALUMINUM, AIR INTAKE 4" DIA X 8" LONG	4056
24	P38926	45HL70R60	1	EA	ELBOW, RUBBER REDUCER, 7" X 6"	4905
25	P22555		1	EA	TUBE, AIR INTAKE, REAR CAP, 6"DIA X 22"LONG	5385
26	P37997	90HL6	1	EA	ELBOW, RUBBER, 6" X 6"	4596
27	P22556		1	EA	TUBE, AIR INTAKE, REAR CAP, 6"DIA X 71"LONG	5385
30	P30044	A7289	1	EA	CONNECTOR, EXHAUST, TURBO TO FLEX PIPE	5390
31	P30076	A7445	1	EA	BRACKET, MUFFLER MOUNTING	5465
32	P35960	TS-50PR	1	EA	MUFFLER, COWL SILENCER	4590
33	P37954	258W581	1	EA	TAILPIPE ASSEMBLY, EXHAUST	4590
34	P35970	216-1012	1	EA	ELBOW, EXHAUST, CHROME 5" DIA X 45 DEGREE	4558
35	P30043	A7288	1	EA	CONNECTOR, EXHAUST, FLEX PIPE TO MUFFLER	5390
36	P30047		1	EA	PIPE, EXHAUST FLEX, 4"DIA X 9 1/2"LONG	5390

REMOTE START PANEL U270

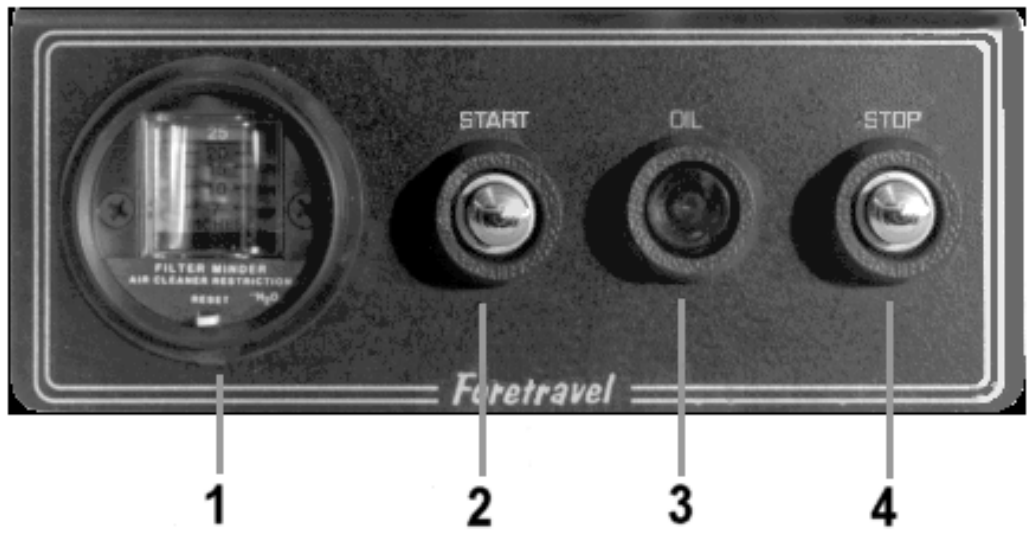


Figure 1.

Remote Start Panel Assembly

27P0270

Remote Start Panel Assembly, Engine

Item#	Part Number	Qty	UM	Description	Start
	P25008			PANEL ASSEMBLY, REMOTE START	4995
00A	P25007	A6399	1	EA BRACKET, REMOTE START ASSEMBLY	4995
01	P34820	3781-325	1	EA GAUGE, AIR RESTRICTION W/BEZEL (INCLUDES HOSES & FITTINGS)	4095
02	P31580	9023-09	2	EA SWITCH, ENGINE START, PUSH -BUTTON, MOMENTARY ON	4342
03	P38493	1800525	1	EA LAMP ASSEMBLY, RED LENS INDICATOR	4299
04	P31580	9023-09	2	EA SWITCH, ENGINE START, PUSH -BUTTON, MOMENTARY ON	4342

PUMP ASSEMBLY, HYDRAULIC FAN / STEERING

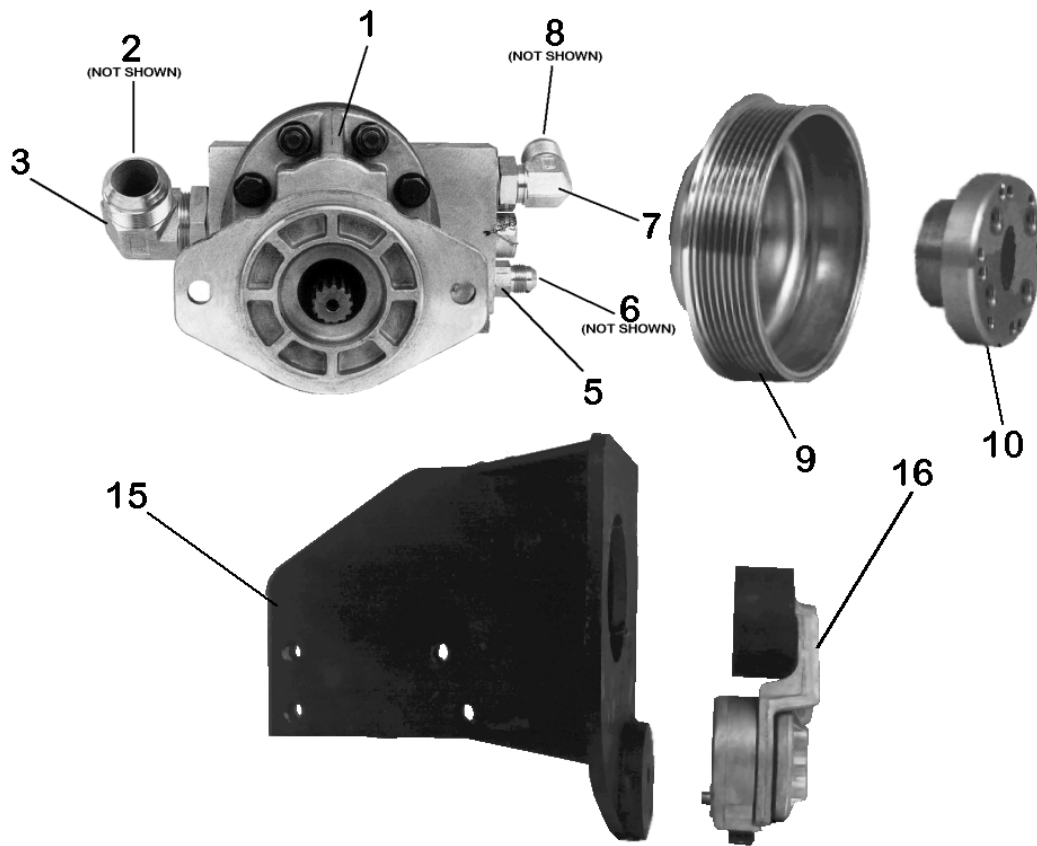


Figure 1.

29P275
275 Hydraulic Pump.PCX
Rev. 07/98

Hyd. Pump

27P0275

Pump Assembly, Hydraulic Fan/Steering

Item#	Part Number	Qty	UM	Description	Start
01	P38905	41188	1	EA PUMP, HYDRAULIC FAN/STEERING	4794
02	P2110		1	EA HOSE,#20,17FAN TO HYD SUPPLY	4794
03	P37288	2062-20-20S	1	EA FITTING, HOSE, 90 DEG ELBOW 1 5/8"-12 BOS X 1 5/16"-12 FLR	4558
05	P37978	202702-6-8S	1	EA FITTING, HOSE NIPPLE 9/16"-18 MPT X 3/4"-16 FLARE	4558
06	P2108		1	EA HOSE, #08, 37', PRESSURE, POWER STEERING	4794
07	P7000130	2062-12-12S	1	EA FITTING,HOSE,90 DEG EL,O-RING	4558
08	P30046		1	EA HOSE, #12, 58" HIPAC	5387
09	P38912	3046206	1	EA PULLEY, 6"	4794
10	P38910	A5842	1	EA ADAPTER, PUMP PULLEY	4830
15	P30012	A7082	1	EA BRACKET, HYDRAULIC PUMP	5387
16	3922900	P32628	1	EA IDLER ARM / PULLEY	3961

RESERVOIR ASSEMBLY, HYDRAULIC FAN / STEERING

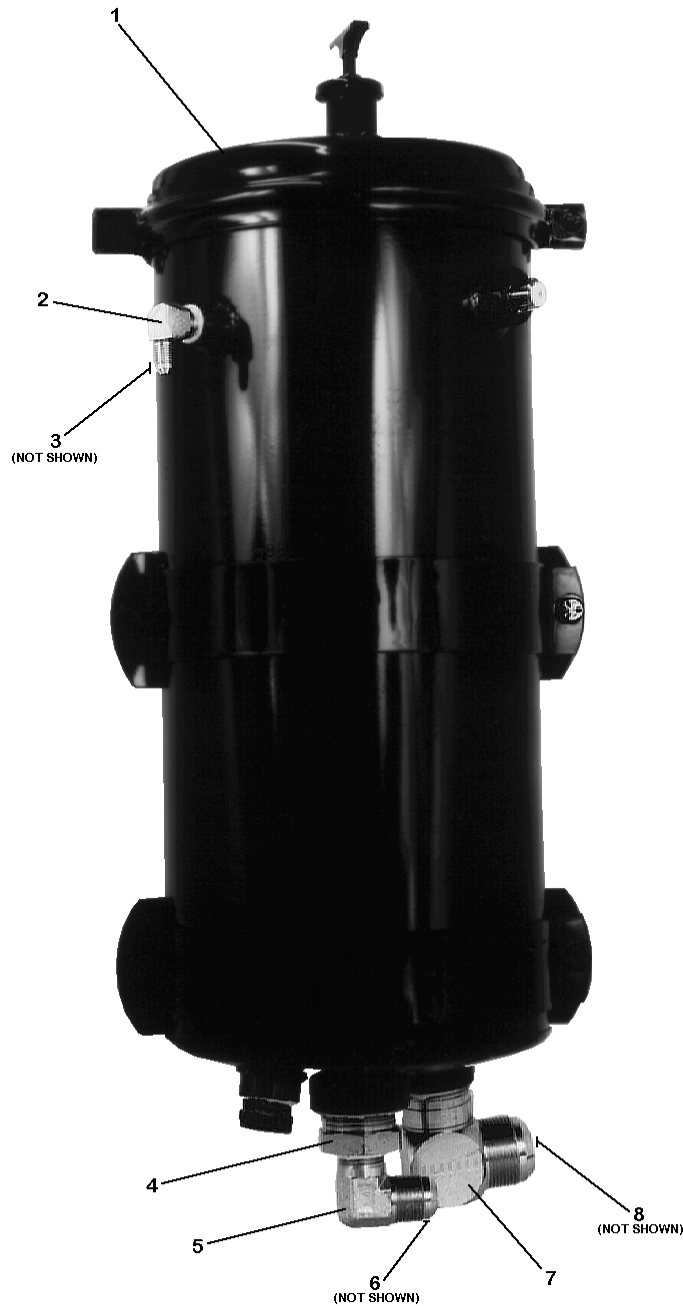


Figure 1.

27P280
32Fres-A.PCX
Rev. 07/98

Reservoir

27P0280

Reservoir Assembly, Hydraulic Fan/Steering

Item#	Part Number	Qty	UM	Description	Start
01	P34832	91416B	1	EA RESERVOIR, 16 QUART CAPACITY	4446
02	P34420		1	EA FITTING, HOSE, 90 DEG ELBOW 3/8"-18 MPT X 7/16"-20 FLARE	
03	P3760		1	EA HOSE, #04, 84"	3593
04	P35838		1	EA FITTING, HOSE, BUSHING 1 1/4"-11.5 MPT X 3/4"-14 FLR	
05	P7000138	2024-12-12S	1	EA FITTING, HOSE, 90 DEG ELBOW 3/4"-14 MPT X 1 1/16"-12 FL	
06	P2140		1	EA HOSE, #12, 166"	5159
07	P7000135	2024-20-20S	1	EA FITTING, HOSE, 90 DEG ELBOW 1 1/4"-11.5 MPT X 1 5/8"-12 FL	
08	P2110		1	EA HOSE,#20,17FAN TO HYD SUPPLY	4794

HYDRAULIC FAN / STEERING RESERVOIR U270

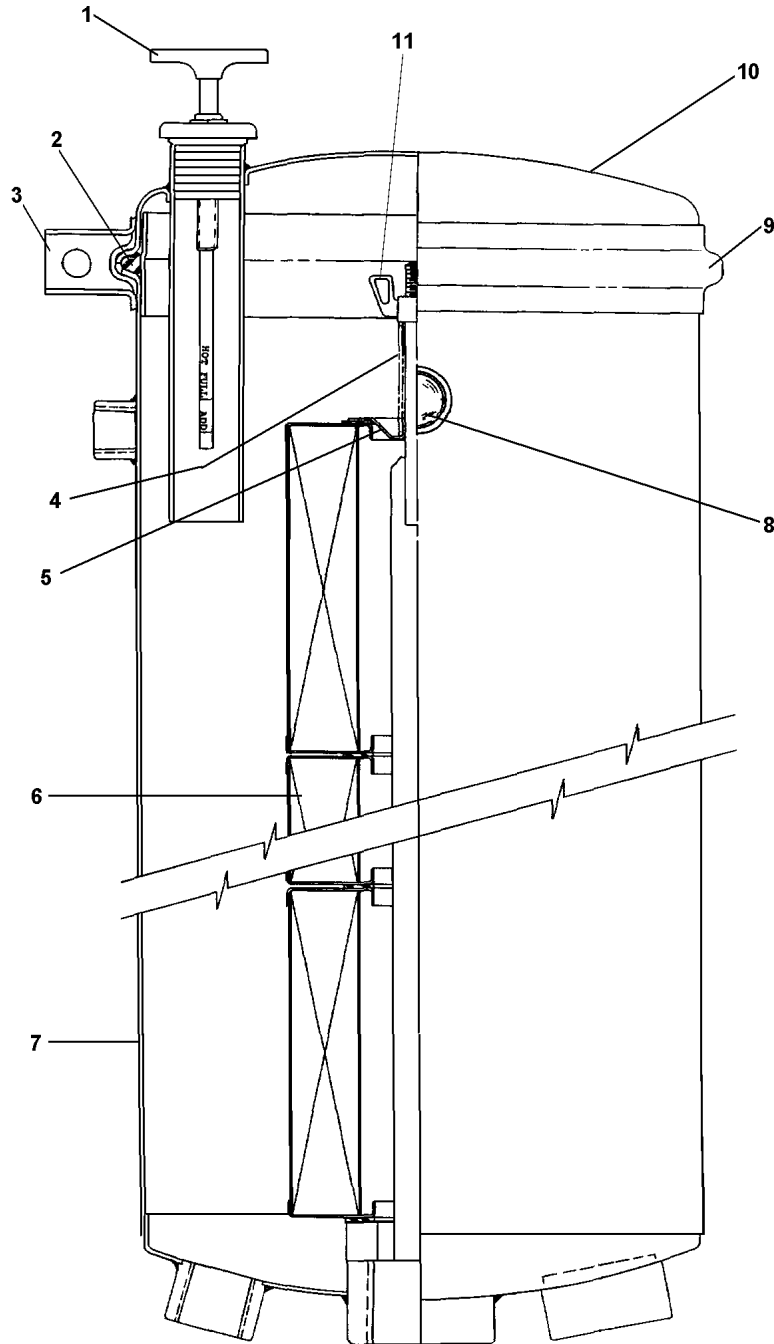


Figure 1.

Hydraulic Fan / Steering Reservoir

27P282
FAN-RESV.PCX
Rev. 03-96

27P0282

Hydraulic Fan/Steering Reservoir

Item#	Part Number	Qty	UM	Description	Start
	P34832				
	91416B				
	EA			RESERVOIR, 16 QUART CAPACITY	4446
01	Q-56845	1	EA	DIPSTICK ASSEMBLY	4445
02	Q-58403	1	EA	O-RING, COVER ASSEMBLY	4445
03	Q-53017	2	EA	MOUNTING BRACKET	4445
04	Q-63175	1	EA	SPRING	4445
05	Q-62984	1	EA	RETAINER	3336
06	84101-M	3	EA	FILTER, HYD FAN RESERVOIR	4445
07	Q-81738	1	EA	HOUSING ASSEMBLY	4445
08	Q-71018	1	EA	SIGHT GLASS BULB	4445
08A	Q-58550	1	EA	O-RING, SIGHT GLASS BULB	4445
09	Q-53087	1	EA	BAND CLAMP	4445
10	Q-80132	1	EA	COVER ASSEMBLY	4445
11	Q-53849	1	EA	WING NUT, COVER ASSEMBLY	3336

THROTTLE PEDAL ASSEMBLY

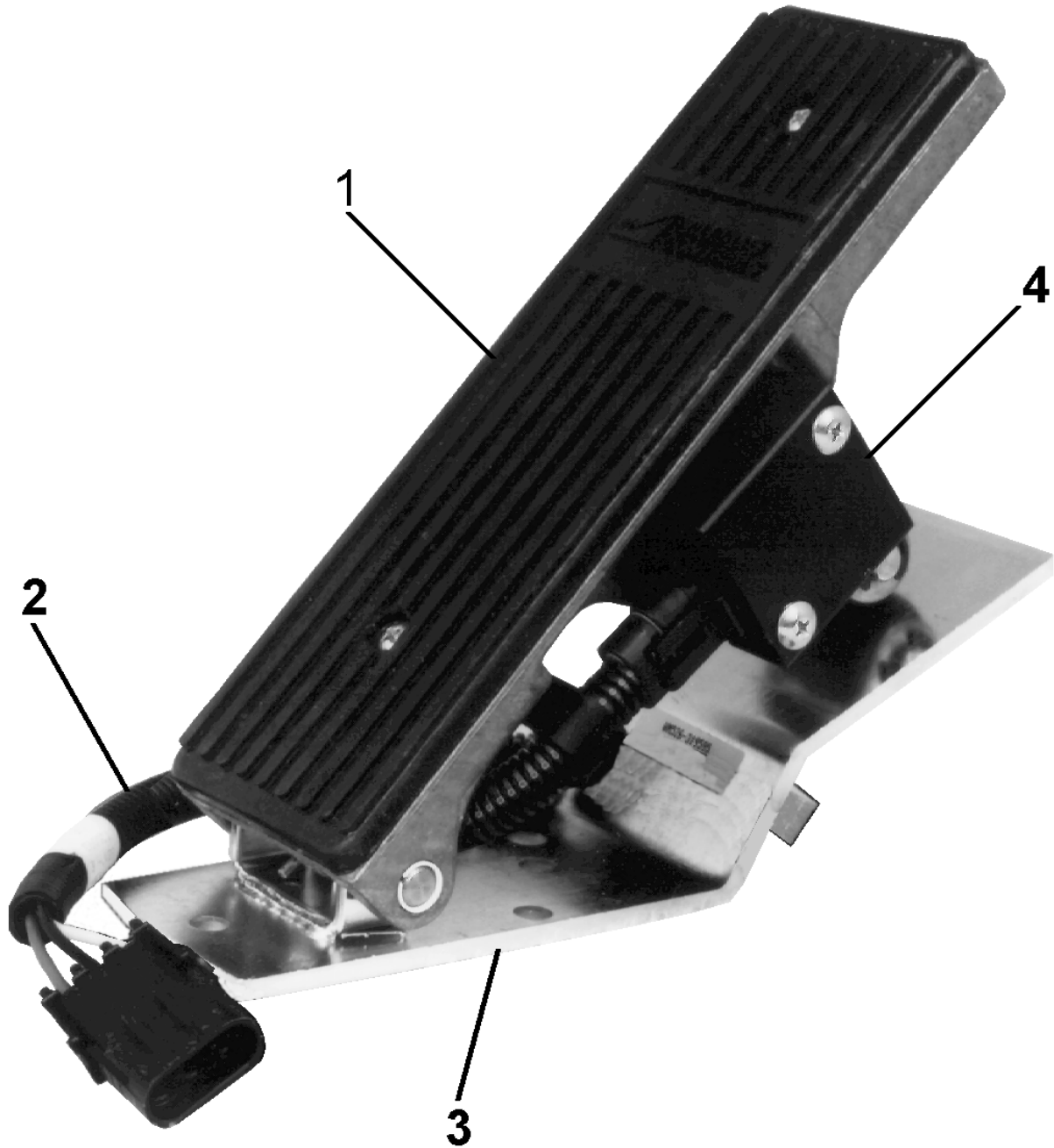


Figure 1.

27P287
658-Pedl.PCX
Rev. 07/98

Electronic

27P0287

Throttle Pedal Assembly, Electronic

Item#	Part Number	Qty	UM	Description	Start
	P37336			THROTTLE CONTROL, ELECTRONIC PEDAL	4590
01	131386	1	EA	COVER, THROTTLE PEDAL	4590
02	131165	1	EA	HARNESS, THROTTLE PEDAL WIRING	4590
03	131428	1	EA	PLATE, THROTTLE PEDAL BASE	4590
04	340000	1	EA	(K1)KIT, THROTTLE PEDAL SENSOR	4590
997	130553	1	EA	(K2) KIT, PINS, THROTTLE PEDAL	4590
998	131139	1	EA	(K3)KIT,ROLLERS,THROTTLE PEDAL	4590
999	351129	1	EA	(K4)KIT,UPPER SERVICE ASSEMBLY LESS BASE PLATE	4590

MOTOR MOUNT, REAR ENGINE

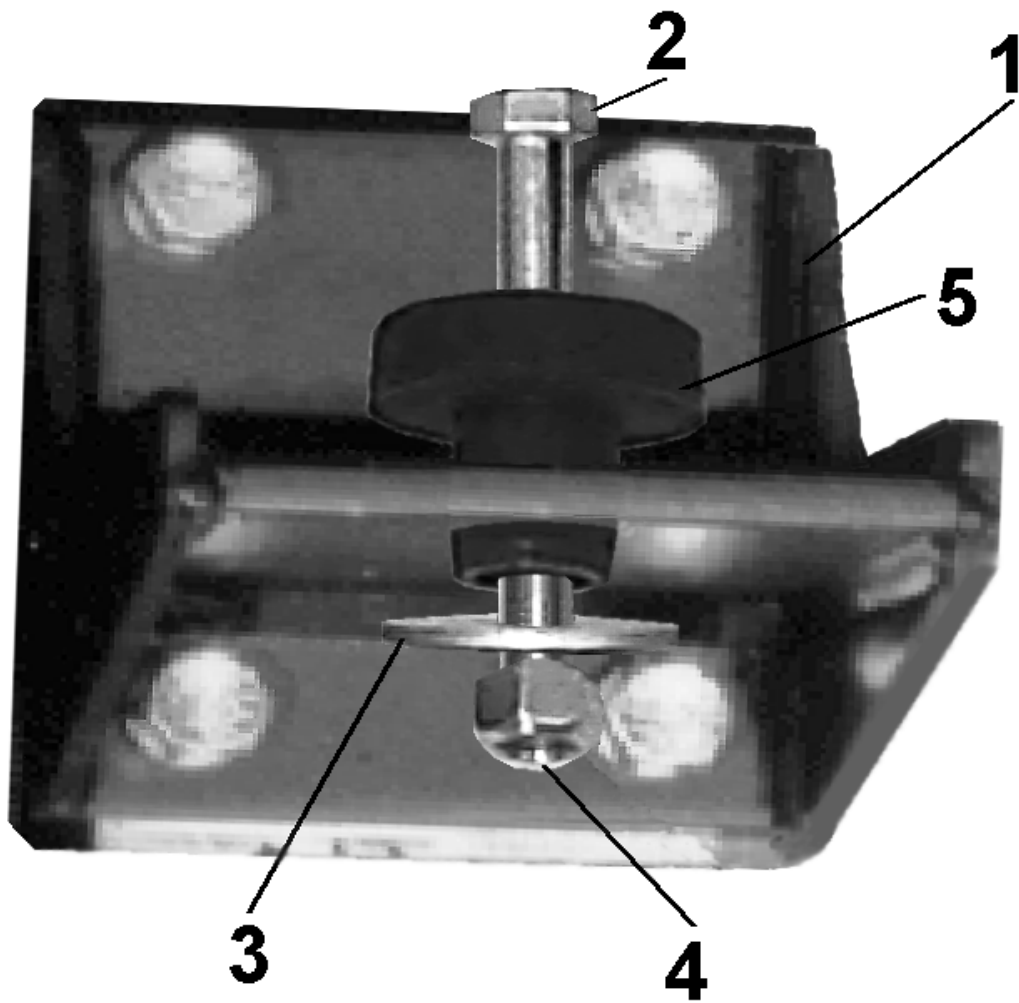


Figure 1.

27P290
Mtrmt-Rr.PCX
Rev. 07/98

Chassis Half

27P0290

Motor Mount, Rear Engine

Item#	Part Number	Qty	UM	Description	Start
01	P23457	A7077	1	EA MOUNT, REAR ENGINE, CHASSIS HALF	5387
02	P7000086	84334	1	EA BOLT, 3/4-16 X 3 3/4" SAE GR8	3336
03	P35836	J-2049-69	1	EA WASHER, MOTOR MOUNT, 3/4" SAE	4796
04	P7000094		1	EA NUT, UNITORQUE LOCK, 3/4" - 16	
05	P38544	CBA33-1200	1	EA MOTOR MOUNT, RUBBER, REAR ENGINE	4673

MOTOR MOUNT, FRONT ENGINE, U270

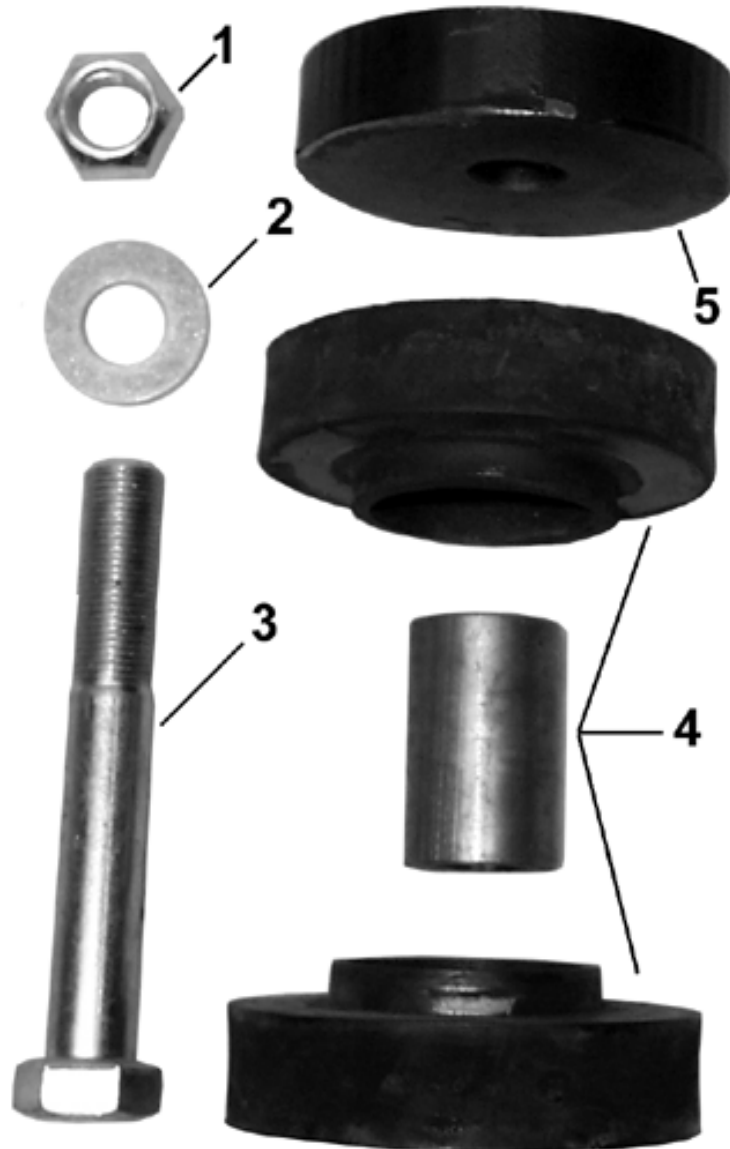


Figure 1.

27P270
295 Front Motor Mount.PCX
Rev. 05/15/97

27P0295

Motor Mount, Front Engine

Item#	Part Number	Qty	UM	Description	Start
01	P31341	25304	1	EA NUT, UNITORQUE LOCK, 3/8"-16	
02	P7000101	54438	1	EA WASHER, FLAT, 3/8"	
03	P38930	63154	1	EA BOLT, 3/8"-16 X 4 1/2" GR8	3690
04	P38543	SSB33-1000-2	1	EA MOTOR MOUNT, RUBBER, FRONT ENGINE	4673
05	P23392	A6587	1	EA SPACER, FRONT MOTOR MOUNT, 3/4" X 3 1/4" DIA	5019



Foretravel, inc.

Motorhomes

Group 300

Transmission

TRANSMISSION ASSEMBLY

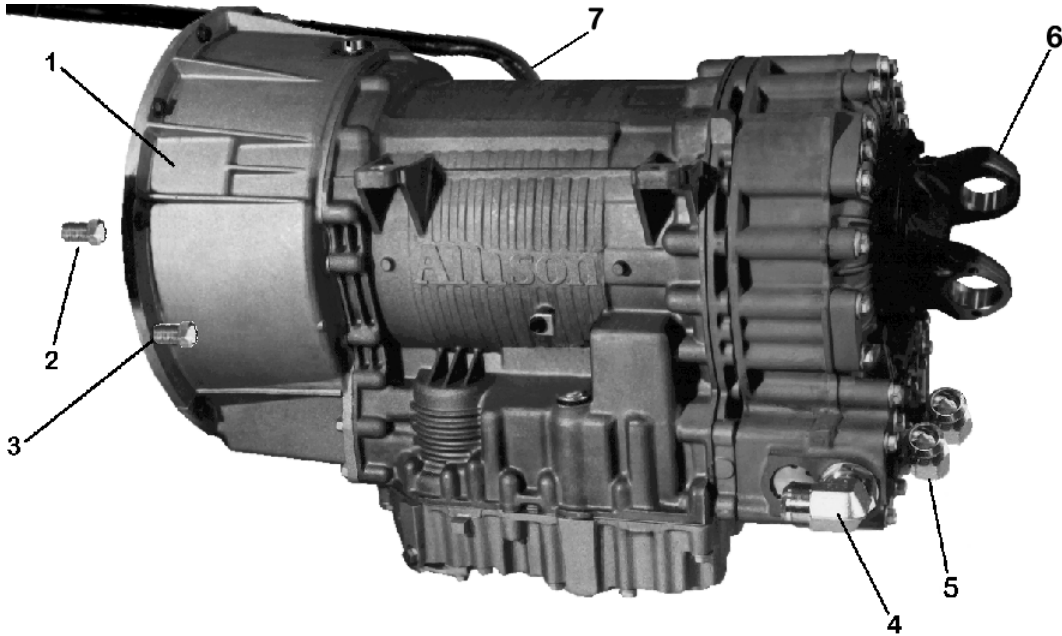


Figure 1.

27P0310

Transmission Group

Item#	Part Number	Qty	UM	Description	Start
01	P54426	1	EA	TRANSMISSION, 3000MH: SEE ALLISON MANUAL FOR OEM PARTS	5793
02	P35825	8	EA	BOLT, TRANSMISSION TO CRANKSHAFT	5387
03	P35824	1	KT	BOLT KIT, TRANSMISSION HOUSING TO ENGINE	4286
04	P37288	3	EA	FITTING, HOSE, 90 DEG ELBOW 1 5/8"-12 BOS X 1 5/16"-12 FLR	4558
05	P37288	3	EA	FITTING, HOSE, 90 DEG ELBOW 1 5/8"-12 BOS X 1 5/16"-12 FLR	4558
06	P7000194	1	EA	YOKE W/FLANGE,TRANSMISSION END	3336
07	P33684	1	EA	DIPSTICK ASSEMBLY, TRANSMISSION, MD3000MH	5793

TRANSMISSION FILTER ASSEMBLY U270

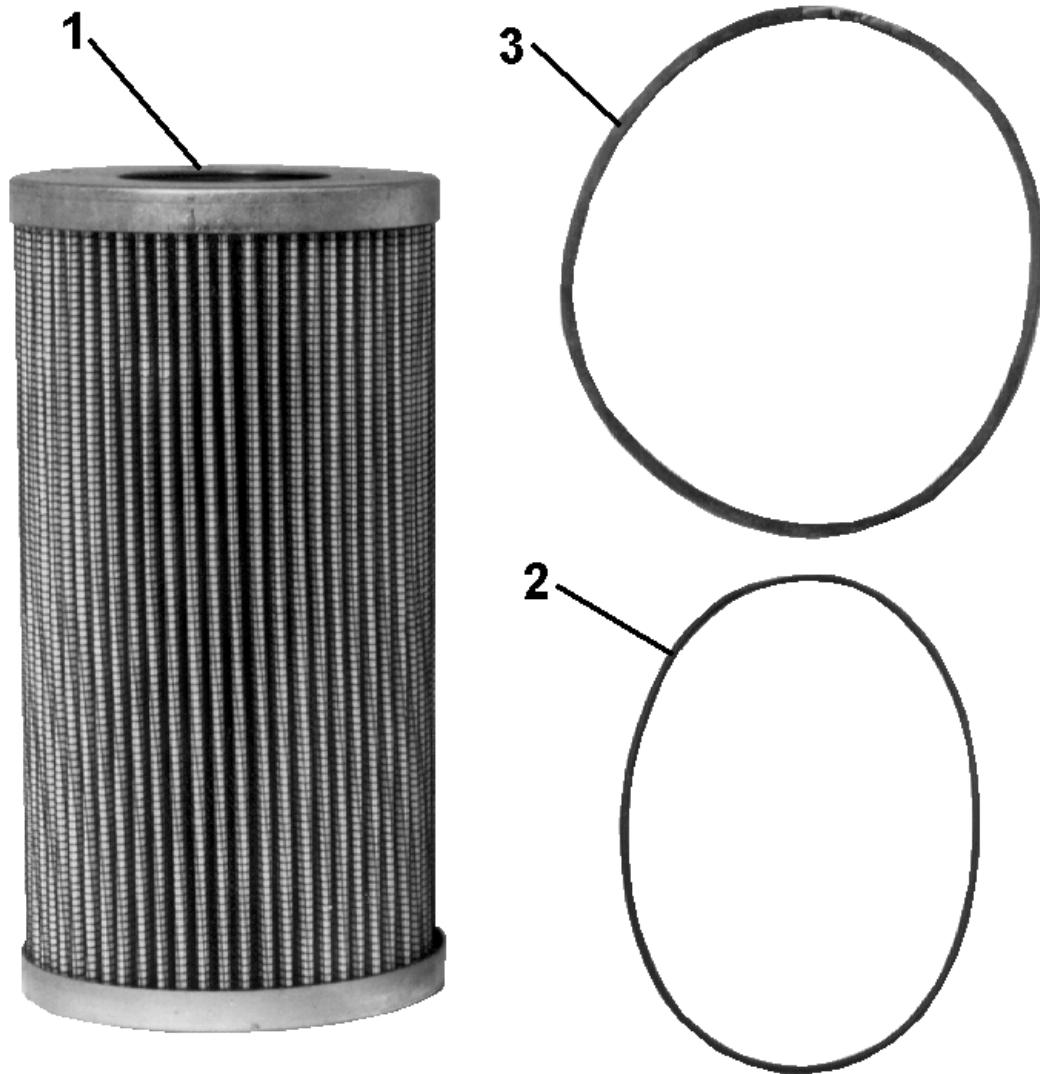


Figure 1.

27P320
24-28FLT.PCX
Rev. 03-96

27P0320

Transmission Filter Assembly, Internal

Item#	Part Number	Qty	UM	Description	Start
01	0054403	2	EA	FILTER, INTERNAL TRANSMISSION (K1)	4016
02	0059407	1	EA	O-RING, FILTER, INTERNAL TRANS (K1)	4016
03	0055204	1	EA	SEAL RING, FILTER, INTERNAL TRANSMISSION (K1)	4016
999	29526898	1	EA	(K1) KIT, FILTER, INTERNAL TRANSMISSION	4016

TRANSMISSION SHIFTING ASSEMBLY



Figure 1.

27P0330

Transmission Shifting Assembly

Item#	Part Number	Qty	UM	Description	Start
01	P29293	200813	1	EA HARNESS, WIRING, TRANSMISSION WTEC-3A, MD3000MH ONLY	5365
01A	P29295	200940	1	EA HARNESS, WIRING, TRANSMISSION, SELECTOR, WTEC-3B	5365
01B	P28152	200502	1	EA HARNESS, WIRING, TRANSMISSION, VEHICLE, WTEC-3	5187
02	P30089	ECU00A17	1	EA ECU, TRANSMISSION COMPUTER CONTROL, MD3000MH	5572
03	29529429		1	EA SELECTOR, TRANSMISSION SHIFT CONTROL	5748

CONTROL ASSEMBLY, RETARDER, U270

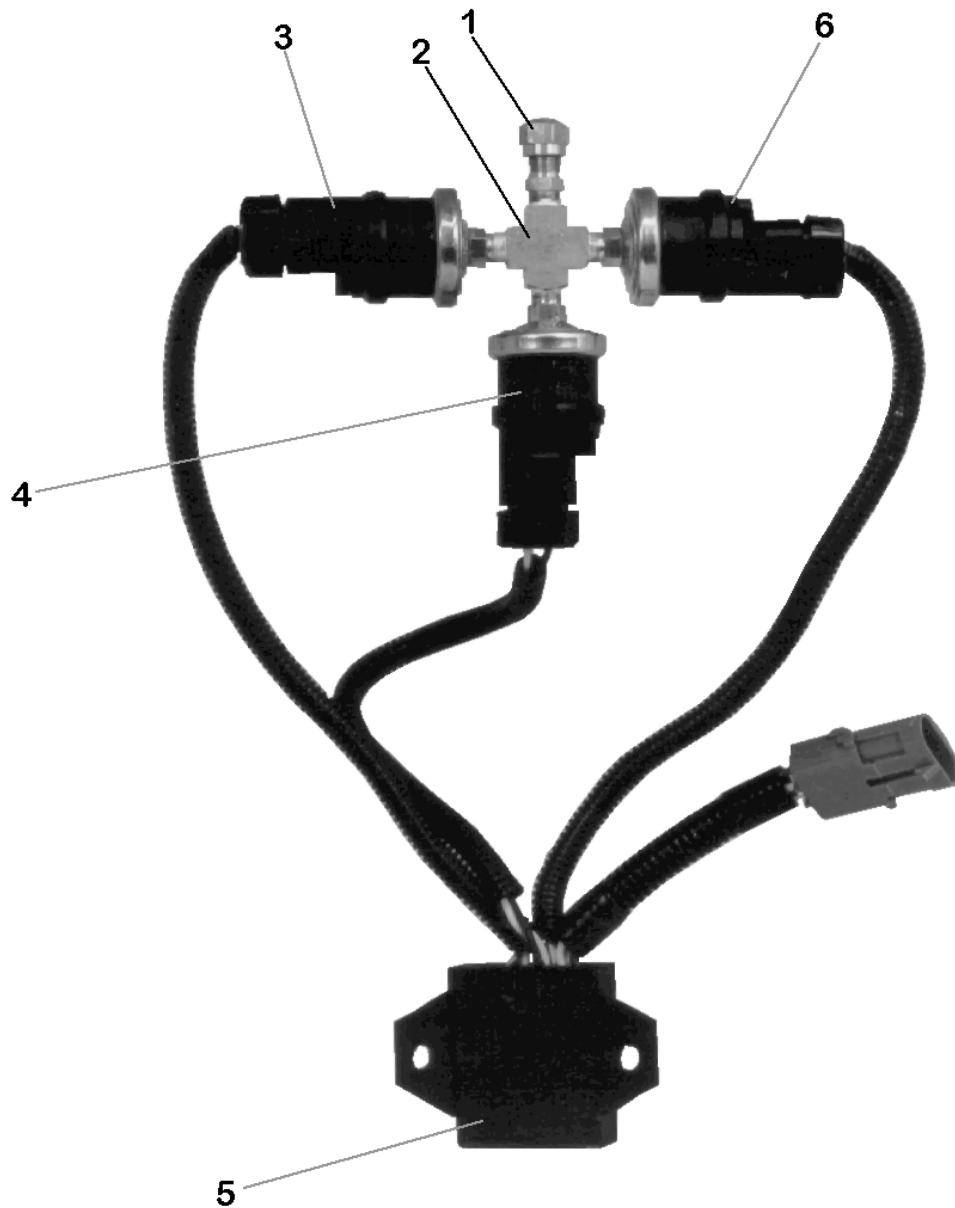


Figure 1.

Retarder Control Assembly

27P360-1
24-28360.PCX
Rev. 05/15/97

27P0360-1

Control Assembly, Transmission Retarder

Item#	Part Number	Qty	UM	Description	Start
	P37307	1	EA	CONTROL ASSEMBLY, TRANSMISSION RETARDER	4570
01	P0760011	1468X4	1	EA FITTING, BRASS ADAPTER, 1/8" MPT X 1/4" TUBE1/8"	3321
02	P35473	3950X2	1	EA FITTING, BRASS CROSS 1/8" X 1/8" X 1/8" X 1/8" MPT	
03	29511307		1	EA SWITCH, PRESSURE, 4 PSI (K1) (ORANGE PIGTAIL)	4545
04	29506478		1	EA SWITCH, PRESSURE, 2 PSI (K1) (BLUE PIGTAIL)	4545
05	29511306		1	EA CONTROL BOX & HARNESS TRANSMISSION RETARDER (K1)	4545
06	29511308		1	EA SWITCH, PRESSURE, 7 PSI (K1) (PURPLE PIGTAIL)	4545
999	P35963	29511311	1	EA (K1) KIT, TRANS RETARDER CONTROL	4545

TRANSMISSION ACCUMULATOR ASSEMBLY

U270

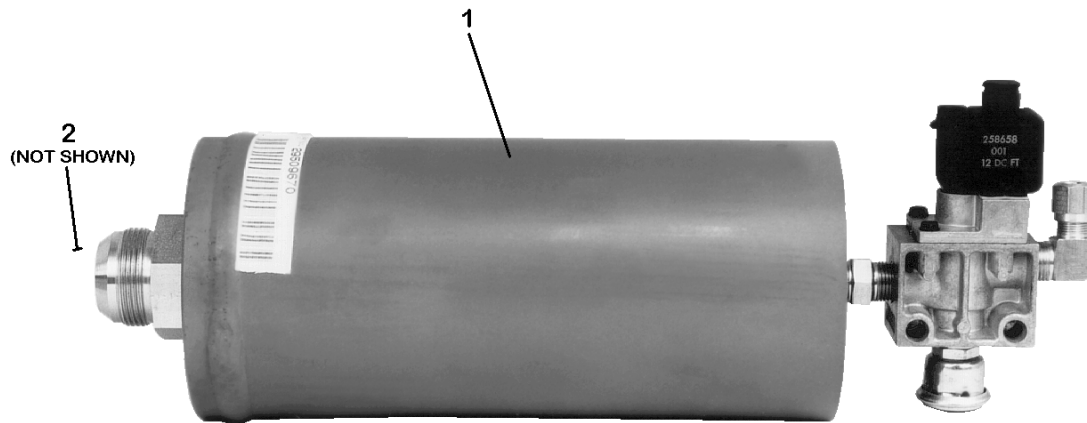


Figure 1.

27P370
28TRN-AC.PCX
Rev. 03-96

Transmission Accumulator Assembly

27P0370

Accumulator Assembly, Transmission

Item#	Part Number	Qty	UM	Description	Start
01	P23415	1	EA	ACCUMULATOR ASSEMBLY, TRANSMISSION	4754
02	P3897	1	EA	HOSE, #20, 22"	3593

DAMPER ASSEMBLY, TRANSMISSION, U270

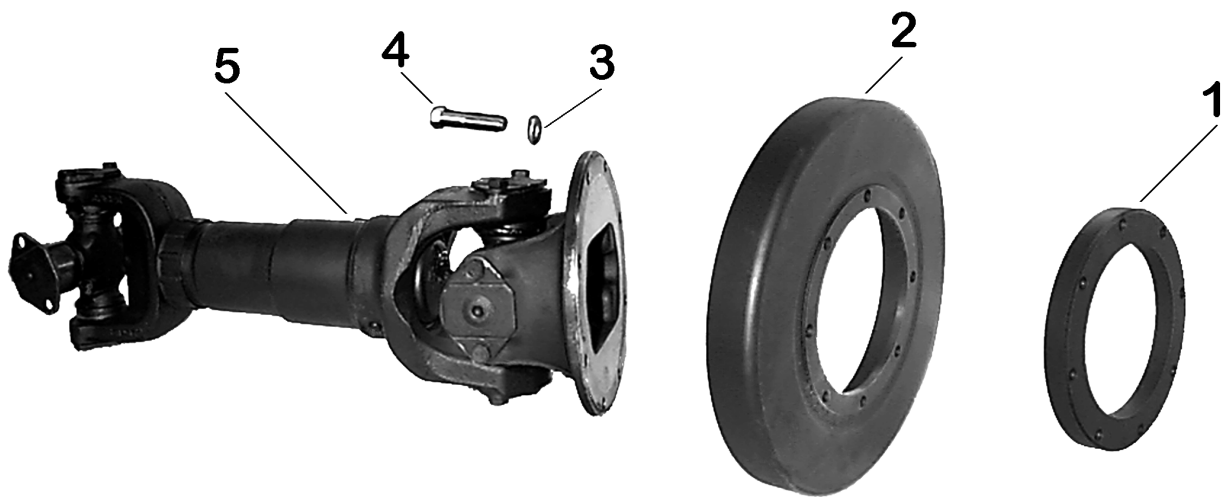


Figure 1.

27P380
380-Dpr.PCX
Rev. 05/15/97

Damper Assembly

27P0380

Transmission Damper Assembly

Item#	Part Number	Qty	UM	Description	Start
01	P23402	1	EA	SPACER, TRANSMISSION DAMPER	5122
02	P23398	1	EA	DAMPER, TRANSMISSION, MD3060R	5122
03	P7000104	8	EA	WASHER, LOCK, 3/8 GRADE 8	3336
04	P27319	8	EA	BOLT, 3/8"-24 X 2 1/4 GRADE 8	5122
05	NOTE525			SEE GROUP 525: DRIVE SHAFT	

HAND CONTROL ASSEMBLY, RETARDER, U270

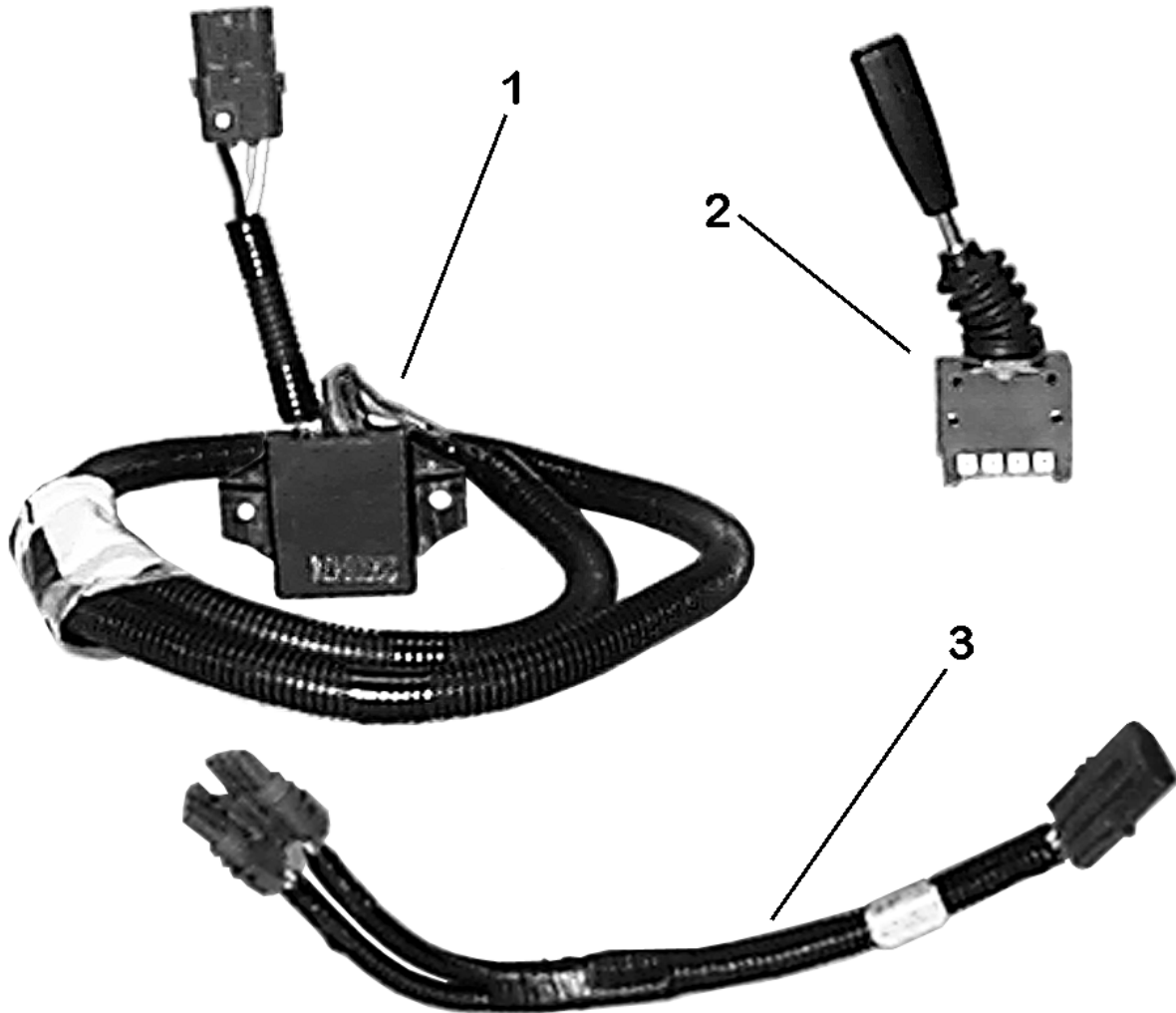


Figure 1.

Hand Retarder Control Assembly

27P390
390 Retarder Control.PCX
Rev. 05/15/97

27P0390

Retarder Control, Transmission, Hand Select

Item#	Part Number	Qty	UM	Description	Start	
01	P28170	29506474	1	EA	MODULE, RETARDER CONTROL	5190
02	P25437	29521372	1	EA	LEVER, SELECTOR, RETARDER CONTROL	5190
03	P28173		1	EA	WIRING HARNESS, RETARDER CONTROL	5190



Foretravel, inc.

Motorhomes

Group 400

Front Axle

FRONT AXLE ASSEMBLY

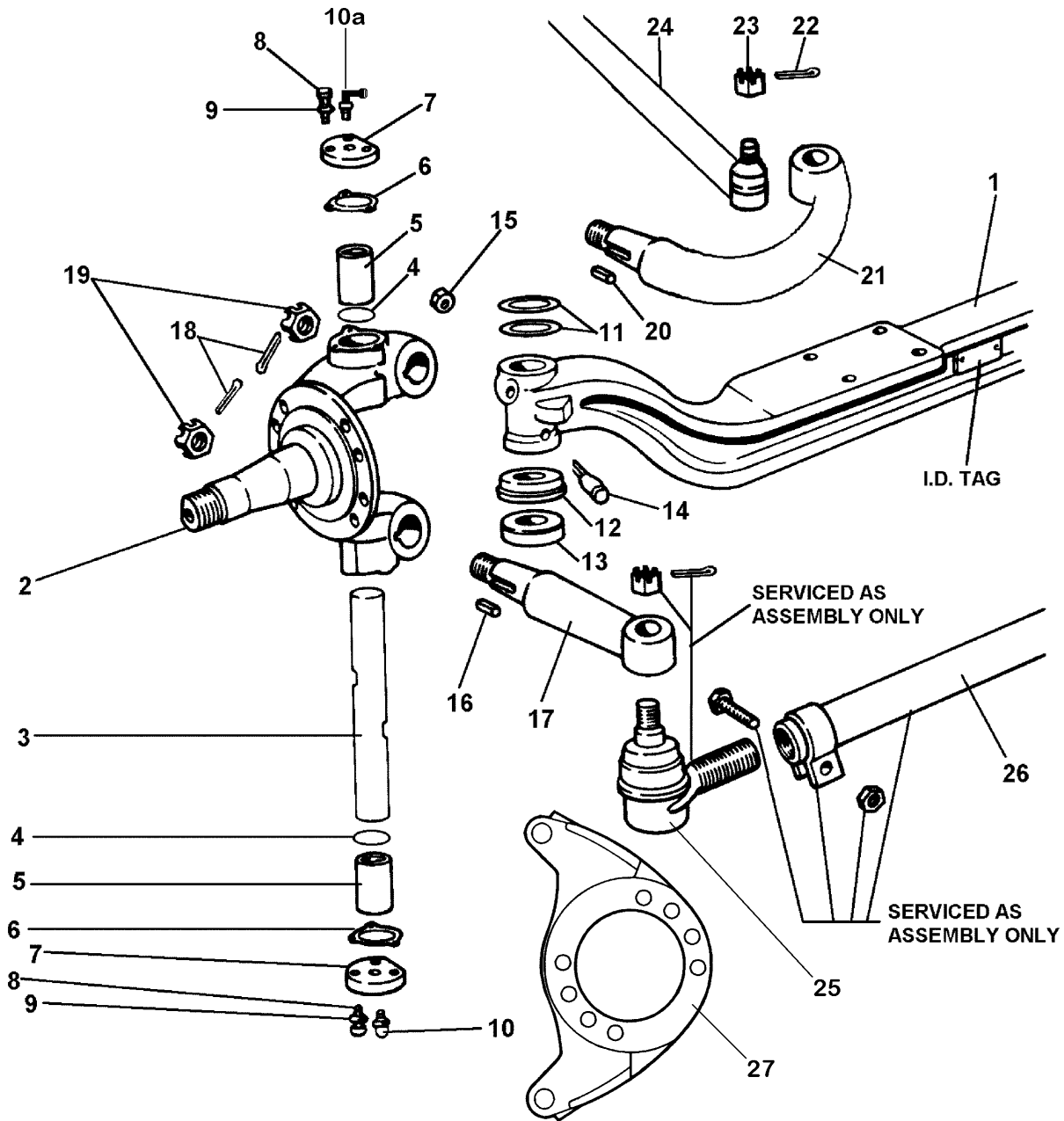


Figure 1.

Rockwell Hub Piloted

27P0405-3

Front Axle Assembly

Item#	Part Number	Qty	UM	Description	Start
	P30015			AXLE ASSEMBLY, FRONT	5387
	FG941CAX666				
01	311-D-7466	1	EA	AXLE BEAM	3336
02	A23111C3305	1	EA	KNUCKLE, STEERING, LH	5212
02A	A23111D3306	1	EA	KNUCKLE, STEERING, RH	5212
03	3101-W-179	2	EA	PIN, STEERING KNUCKLE (K1)	3336
04	A-1205-X-1428	4	EA	SEAL ASSEMBLY, STEER KNUCKLE PIN (K1)	3336
05	1225-W-985	4	EA	BUSHING, STEERING KNUCKLE PIN (K1)	3336
06	3208-M-1027	4	EA	GASKET, STEERING KNUCKLE PIN CAP (K1)	3336
07	2297-T-4752	4	EA	CAP, STEERING KNUCKLE PIN (K1) ALSO USE (1254)	3336
08	S258P2	12	EA	CAPSCREW, KNUCKLE PIN CAP (K1)	5212
09	1229E1669P	12	EA	LOCKWASHER, CAPSCREW (K1)	5212
10	1199-N-1860	4	EA	FITTING, GREASE (K1) (SUPPLIED OPTIONAL)	3336
10A	1898R720	1	EA	FITTING, GREASE, 90 DEGREE (K1)	5212
11	2203L3002	2	EA	SHIM, STEERING KNUCKLE (K1)	5212
11A	2203K3001	2	EA	SHIM, STEERING KNUCKLE (K1)	5212
12	A-1205-P-1784	2	EA	SEAL ASSEMBLY, THRUST BEARING	5387
13	T1921	2	EA	BEARING, THRUST	5387
14	7X-1003	2	EA	DRAW KEY, UPPER (K1)	3336
14A	7X-111	2	EA	DRAW KEY, LOWER (3.875) (K1)	3690
15	1227-Z-780	4	EA	NUT, DRAW KEY (K1)	3336
16	16X1035	4	EA	KEY, STEERING / CROSSTUBE ARM	5212
17	3133-Y-5615	1	EA	ARM, TIE-ROD, LH	3336
17A	3133-X-5614	1	EA	ARM, TIE-ROD, RH	3336
18	K-2618	4	EA	COTTER PIN,STEER/CROSSTUBE ARM	3336
19	14X-27	4	EA	NUT, STEER/TIE ROD ARM	4522
20	16X1035	4	EA	KEY, STEERING / CROSSTUBE ARM	5212
21	3133-M-6461	1	EA	ARM, STEERING, LH	4470
22	K-2618	1	EA	COTTER PIN,STEER/CROSSTUBE ARM	3336
23	13X-159	1	EA	NUT, STEER / CROSSTUBE ARM	3336
24	P36581	1	EA	DRAG LINK ASSEMBLY, 57 3/4"	4590
25	R230068	1	EA	END ASSEMBLY, TIE ROD, LH	3336
25A	R230069	1	EA	END ASSEMBLY, TIE ROD, RH	3336
26	A2-3102-X-3456	1	EA	ROD ASSEMBLY, END & TIE	3336
27	A3215L1208	1	EA	PLATE ASSEMBLY, TORQUE, LH	5212
27A	A3215K1207	1	EA	PLATE ASSEMBLY, TORQUE, RH	5212
999	R201315	1	EA	(K1) KIT, STEERING KNUCKLE PIN	3336

ABS BRAKING SYSTEM, FRONT

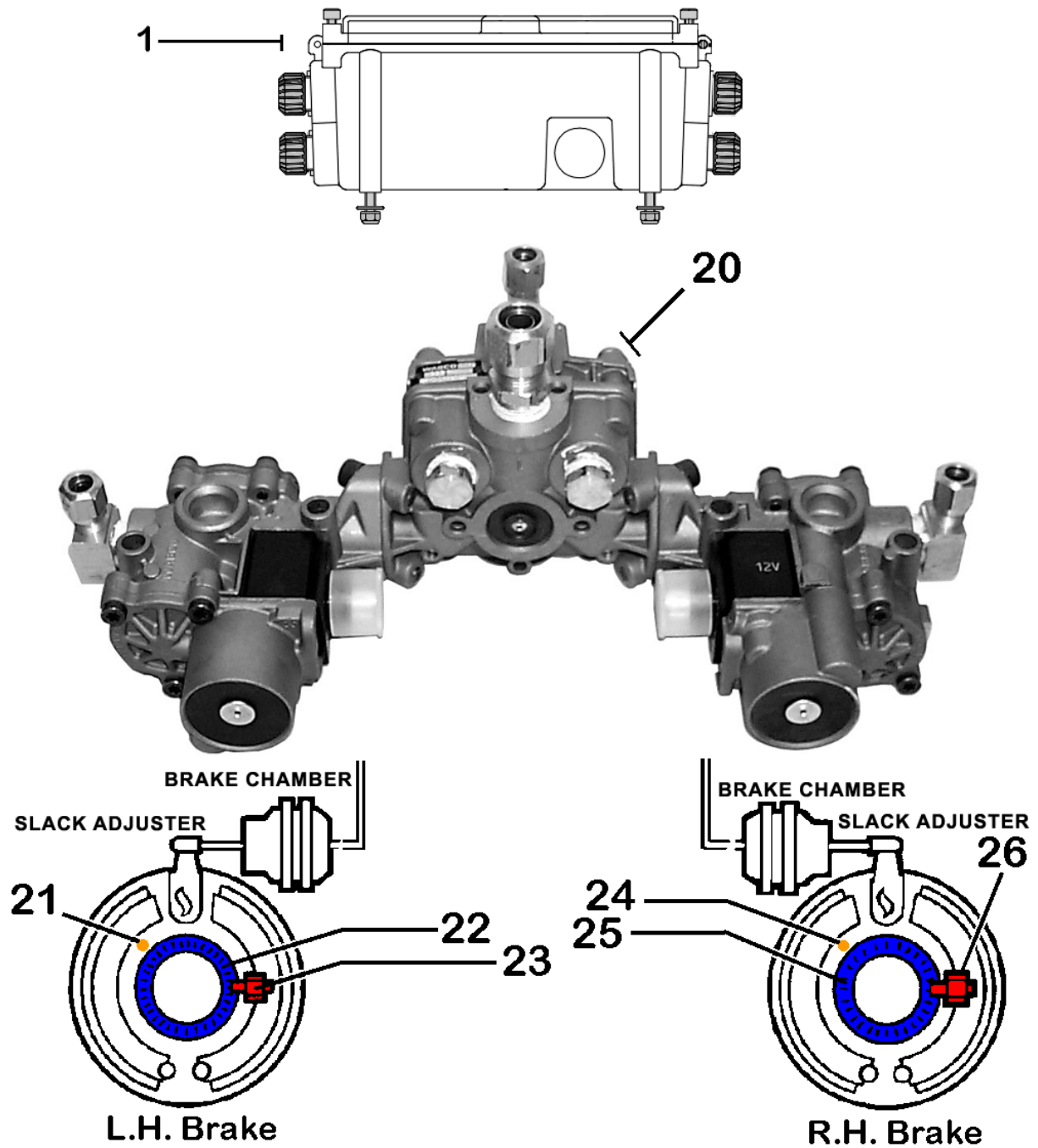


Figure 1.

27P0410

Anti-lock Braking System, Front

Item#	Part Number	Qty	UM	Description	Start
01	P54403	4446 004 405 0	EA	ECU, ANTI-LOCK BRAKING SYSTEM CONTROL	5638
20	P54417	1	EA	VALVE ASSEMBLY, ABS BRAKE, FRONT CONTROL	5651
20A	P54413	472 500 300 0	EA	VALVE, FRONT ABS BRAKE, 12VOLT	5651
21	A932800	2	EA	BUSHING, ABS SENSOR	4594
22	3237-R-1032	2	EA	SENSOR RING, ABS	4470
23	AL1027194	2	EA	SENSOR ASSEMBLY, FRONT, ABS BRAKE	4594
24	A932800	2	EA	BUSHING, ABS SENSOR	4594
25	3237-R-1032	2	EA	SENSOR RING, ABS	4470
26	AL1027194	2	EA	SENSOR ASSEMBLY, FRONT, ABS BRAKE	4594

ABS BRAKING SYSTEM, FRONT

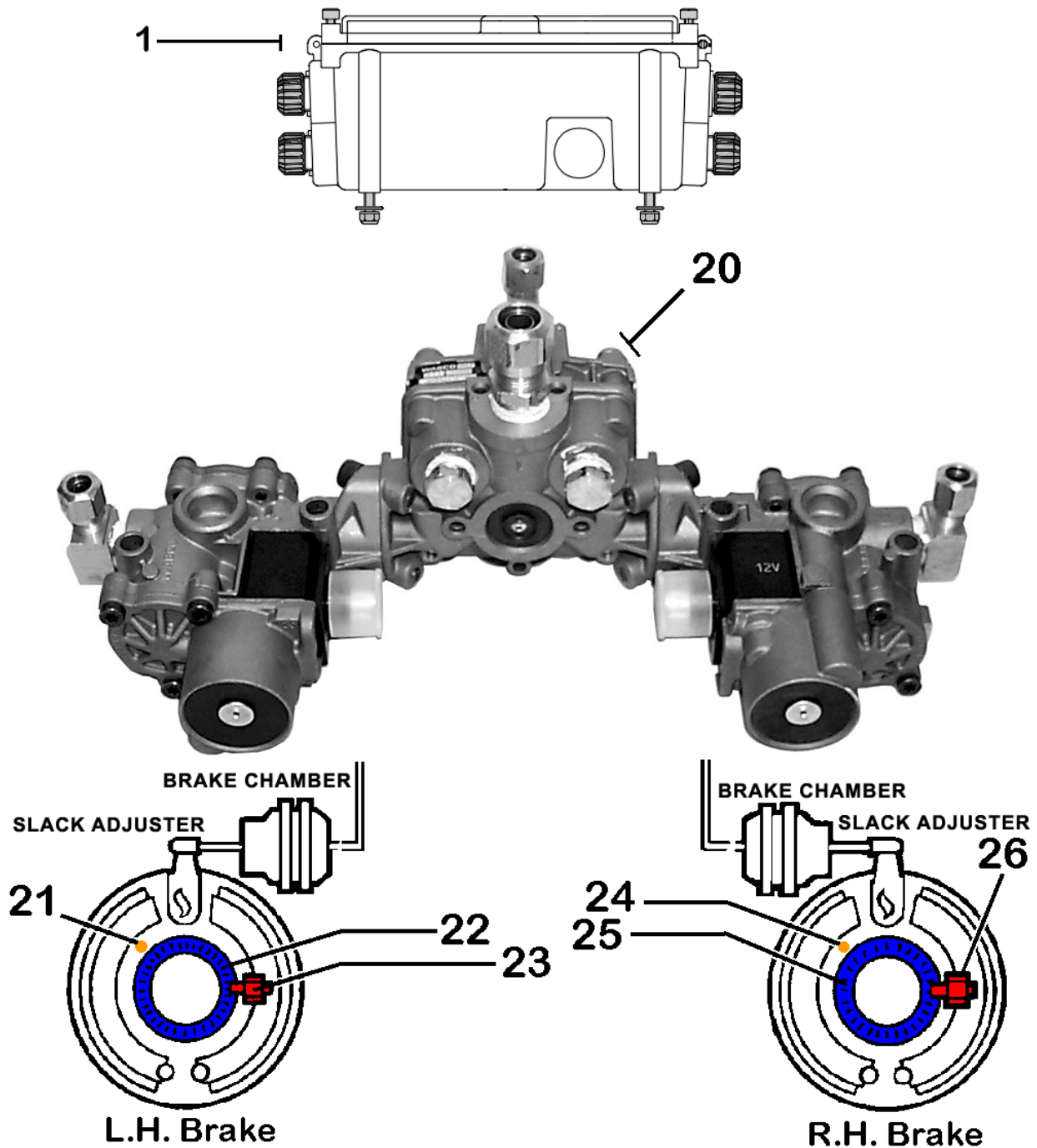


Figure 1.

27P0410-1

Anti-lock Braking System, Front (mid year)

Item#	Part Number	Qty	UM	Description	Start
01	P54403	4446 004 405 0	EA	ECU, ANTI-LOCK BRAKING SYSTEM CONTROL	5638
20	P54438	1	EA	VALVE ASSEMBLY, ABS BRAKE, FRONT CONTROL	5872
20A	P54413	472 500 300 0	EA	VALVE, FRONT ABS BRAKE, 12VOLT	5651
21	A932800	2	EA	BUSHING, ABS SENSOR	4594
22	3237-R-1032	2	EA	SENSOR RING, ABS	4470
23	AL1027194	2	EA	SENSOR ASSEMBLY, FRONT, ABS BRAKE	4594
24	A932800	2	EA	BUSHING, ABS SENSOR	4594
25	3237-R-1032	2	EA	SENSOR RING, ABS	4470
26	AL1027194	2	EA	SENSOR ASSEMBLY, FRONT, ABS BRAKE	4594

RIDE-HEIGHT CONTROL VALVE, FRONT

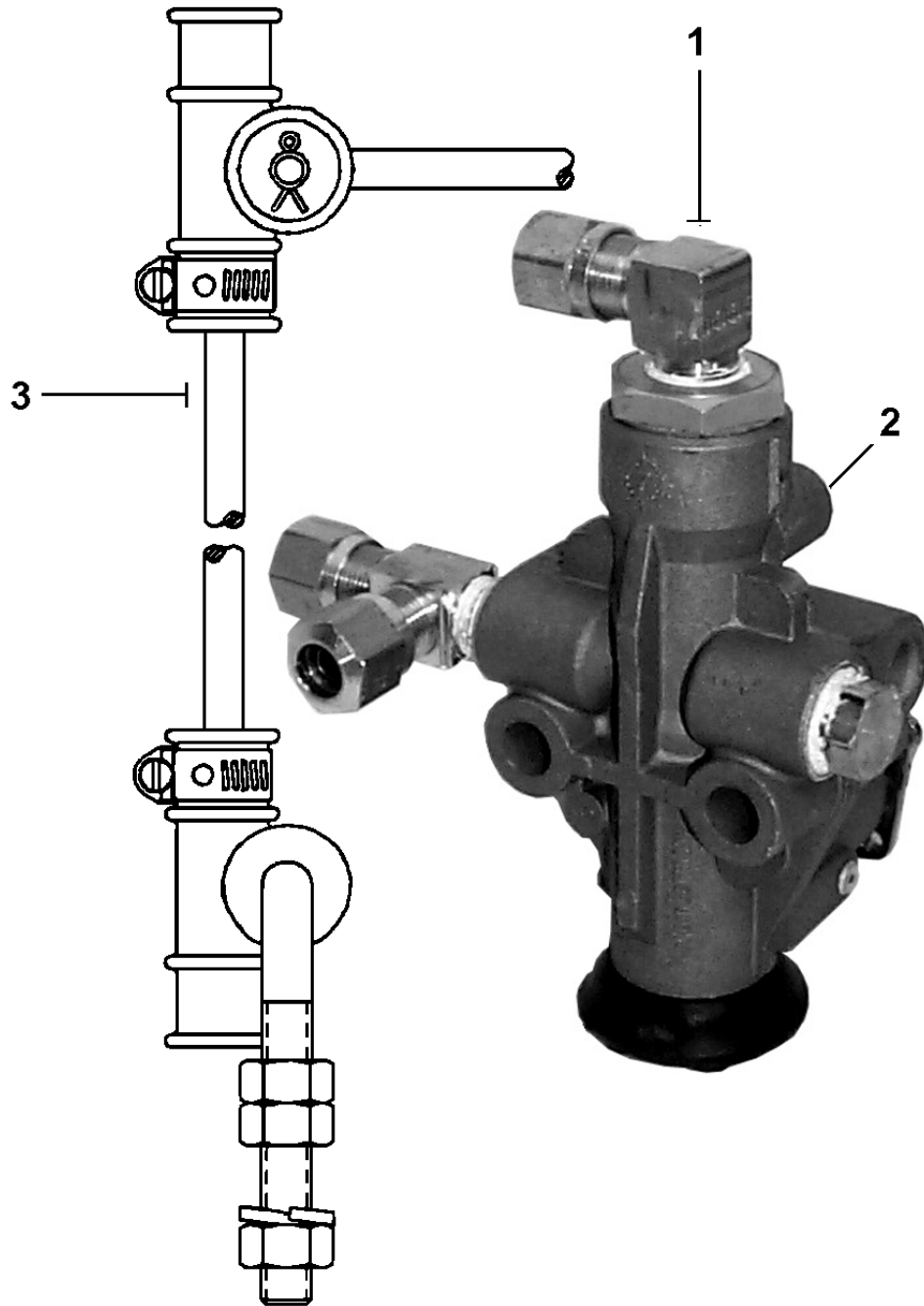


Figure 1.

27P417.fm
Group 417 Level.PCX
Rev. 08/99

27P0417

Ride-height Control Valve Assembly

Item#	Part Number	Qty	UM	Description	Start
01	P33637			VALVE ASSEMBLY, RIDE-HEIGHT CONTROL, FRONT	4100
02	P54399	464 002 443 0	1 EA	VALVE, RIDE-HEIGHT CONTROL	5606
03	P54398	RWABK-054	1 KT	KIT, LEVEL VALVE LINKAGE	5606

OUTER WHEEL END COMPONENTS

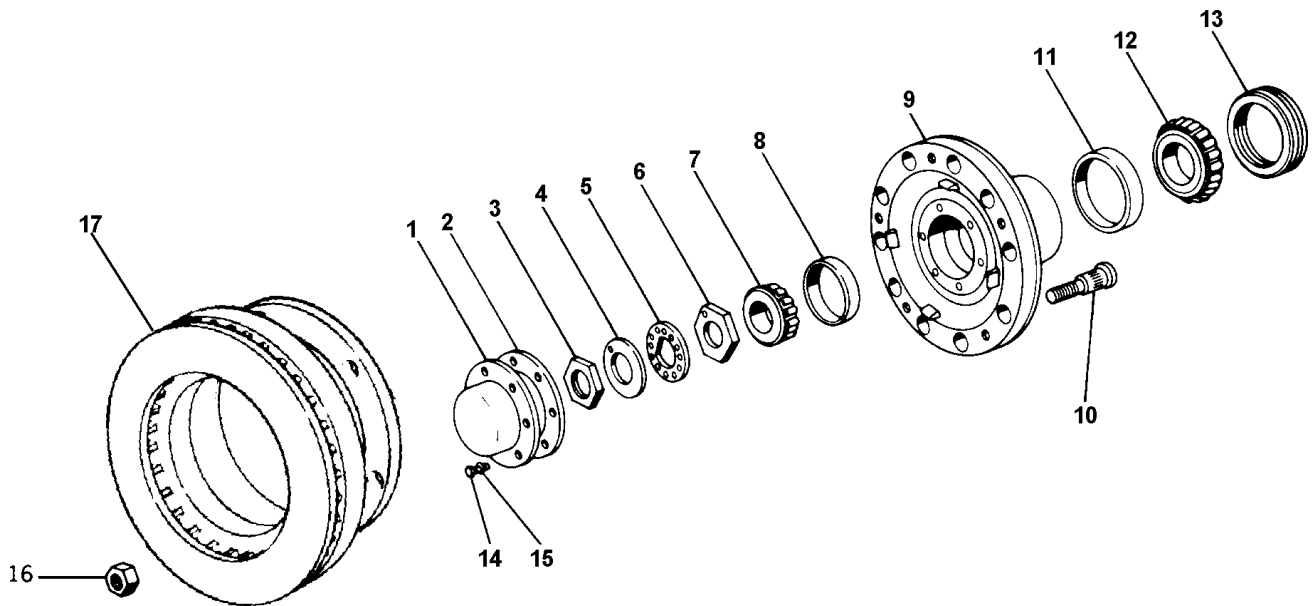


Figure 1.

Wheel End Assembly

27P420-3
28Whlend.PCX
Rev. 07/98

27P0420-3

Outer Wheel End Components

Item#	Part Number	Qty	UM	Description	Start
	P30015			AXLE ASSEMBLY, FRONT	5387
01	A-3262-G-215	1	EA	CAP, HUB	3690
02	2208-Y-363	1	EA	GASKET, HUB CAP	4470
03	1227-B-106	1	EA	JAM NUT, WHEEL BEARING, OUTER	3690
04	1229-G-475	1	EA	LOCKWASHER, JAM NUT	3690
05	1229-F-474	1	EA	LOCKWASHER, PIERCED	3690
06	1227-U-541	1	EA	NUT, WHEEL BRG ADJUSTER, INNER	3690
07	3782	1	EA	CONE, BEARING, OUTER	3336
08	3720	1	EA	CUP, BEARING, OUTER	3336
09	A-333-S-3685	1	EA	HUB/CUP ASSM, FRONT (K1)(K2)	4470
10	20X2136	10	EA	STUD, WHEEL	5212
11	HM212011	1	EA	CUP, BEARING	3336
12	HM212049	1	EA	CONE, BEARING	3336
13	A1205N1912	1	EA	SEAL, HUB TO AXLE	5212
14	S256P2	6	EA	CAPSCREW, HUB CAP	4470
15	1229E1669P	6	EA	LOCKWASHER, CAPSCREW (K1)	5212
16	1227Z137B	10	EA	NUT, HUB	5159
16A	1229-V-1504	10	EA	WASHER, FLAT, ROTOR STUD	3336
17	3218-Y-1065	1	EA	ROTOR ASSEMBLY, FRONT (K1)(K2)	4470
998	HFGF 56R 82 T 1	1	EA	(K1) KIT, HUB / ROTOR ASSEMBLY (FITS LH & RH)	5212

DISC BRAKE ASSEMBLY, FRONT / REAR

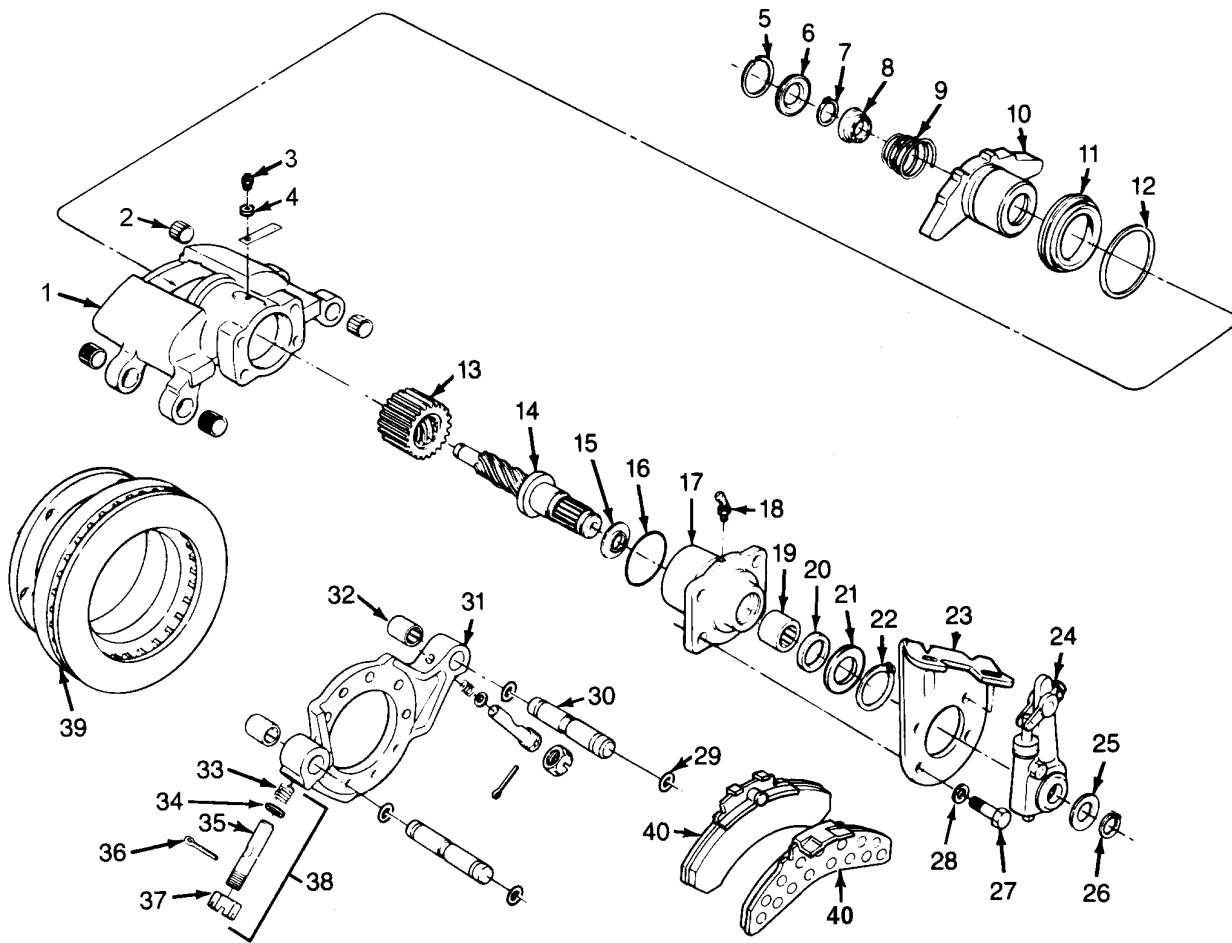


Figure 1.

27P425-2
28Brake.PCX
Rev. 07/98

Disc Brake Assembly

27P0425-2

Disc Brake Assembly, Front/Rear

Item#	Part Number	Qty	UM	Description	Start
00A	P30015			AXLE ASSEMBLY, FRONT	5387
00B	ADB-1560-517			DISC BRAKE ASSEMBLY, FRONT, LH	4470
00C	ADB-1560-518			DISC BRAKE ASSEMBLY, FRONT, RH	4470
00X	P23453		EA	AXLE ASSM, REAR W/ ABS BRAKES 4.63 RATIO	5387
00Y	ADB 1560 471			DISC BRAKE ASSEMBLY, REAR, LH	4276
00Z	ADB 1560 472			DISC BRAKE ASSEMBLY, REAR, RH	4276
01	A-3263-G-215	1	EA	CALIPER AND BUSHING ASSEMBLY	3336
02	1225-K-1207	2	EA	BUSHNG KIT,CALIPER SLIDE,2-PCK	3336
03	1898-Q-771	1	EA	FITTING, PRESSURE RELIEF	3336
04	1229-H-4064	1	EA	WASHER, WAVE	3336
05	1225-W-2909	1	EA	SNAP RING, SEAL RETAINING	3336
06	A-1205-E-1773	1	EA	SEAL ASSEMBLY,BRAKE PISTON END	3336
07	42X-1062	1	EA	RETAINER, RING	3336
08	1225-K-973	1	EA	BUSHING,POWERSHAFT INNER PILOT	3336
09	2258-F-1176	1	EA	SPRING, PISTON RETURN	3336
10	2230-M-195	1	EA	PISTON, BRAKE SHOE	3336
11	2260-D-1018	1	EA	BOOT, BRAKE PISTON	3336
12	1205-T-1762	1	EA	SEAL, BRAKE PISTON TO CALIPER	3336
13	40X-1008	1	EA	NUT, ACTUATOR, LH THREAD	3336
13A	40X-1009	1	EA	NUT, ACTUATOR, RH THREAD	3336
14	2210-G-5233	1	EA	POWERSHAFT, LH THREAD	3336
14A	2210-H-5234	1	EA	POWERSHAFT, RH THREAD	3336
15	1229-T-2906	1	EA	WASHER, POWERSHAFT THRUST	3336
16	5X-884	1	EA	"O" RING, CAP TO CALIPER	3336
17	3262-M-377	1	EA	CAP, POWERSHAFT (K1)	3336
18	1199-T-2984	1	EA	FITTING, CALIPER GREASE (K1)	3336
19	1225-A-1249	1	EA	BUSHING, POWERSHAFT (K1)	3336
20	A-1205-F-2242	1	EA	SEAL, POWERSHAFT CAP (K1)	3336
21	1229-C-4059	1	EA	WASHER, POWERSHAFT RETAINING	3336
22	1229-Z-1118	1	EA	SNAP RING, POWERSHAFT RETAIN.	3336
23	3299-W-6211	1	EA	BRACKET, AIR CHAMBER, LH	3336
23A	A3299X6212	1	EA	BRACKET, AIR CHAMBER, RH	3336
24	A43-3275-A-1145	1	EA	SLACK ADJUSTER ASSEMBLY, RH	3336
24A	A43-3275-Z-1144	1	EA	SLACK ADJUSTER ASSEMBLY, LH	3336
25	1229-Q-443	1	EA	WASHER, SLACK ADJUSTER	3336
26	1229-D-2942	1	EA	SNAP RING, SLACK ADJUSTER	3336
27	S-2916-1	4	EA	CAPSCREW, CHAMBER BRACKET	3336
28	1229-Y-2443	4	EA	WASHER, CHAMBER BRKT. CAPSCREW	3336
29	3780-U-151	2	EA	"O" RING	3336
30	1259-A-287	2	EA	PIN, CALIPER SLIDE (K2)	4470
31	A-3215-L-1208	1	EA	TORQUE PLATE ASSEMBLY,LH FRONT	4470
31A	A-3215-K-1207	1	EA	TORQUE PLATE ASSEMBLY,RH FRONT	4470
31B	A-3215-E-1253	1	EA	TORQUE PLATE ASSEMBLY, LH REAR	4594
31C	A-3215-D-1252	1	EA	TORQUE PLATE ASSEMBLY, RH REAR	4594
32	1225-F-1150	2	EA	BUSHING, PLATE SLIDE PIN (K2)	3336
33	2258-R-694	2	EA	SPRING,SLIDE PIN RETAINER (K3)	3336
34	42X-1013	2	EA	WASHER,SLIDE PIN RETAINER (K3)	3336
35	43X-1037	2	EA	RETAINER PIN (K3)	3336
36	K-2514-C	2	EA	COTTER PIN (K3)	3336
37	1227-G-1229	2	EA	NUT, SLIDE PIN RETAINER (K3)	3336
38	A-43X-1037	2	EA	(K3) KIT,RETAINER PIN ASSEMBLY	3336
39	NOTE420			SEE GROUP 420, HUB/ROTOR ASSY	3336
39A	NOTE505			SEE GROUP 505: REAR AXLE ASSY	
40	KIT 15615PM	1	KT	PAD AND LINING ASSEMBLY	3336
998	KIT 15012	1	EA	(K1) KIT, POWERSHAFT CAP ASSM	3336
999	KIT 15013	1	EA	(K2) KIT, CALIPER SLIDE PIN	3336

FRONT BRAKE CHAMBER ASSEMBLY

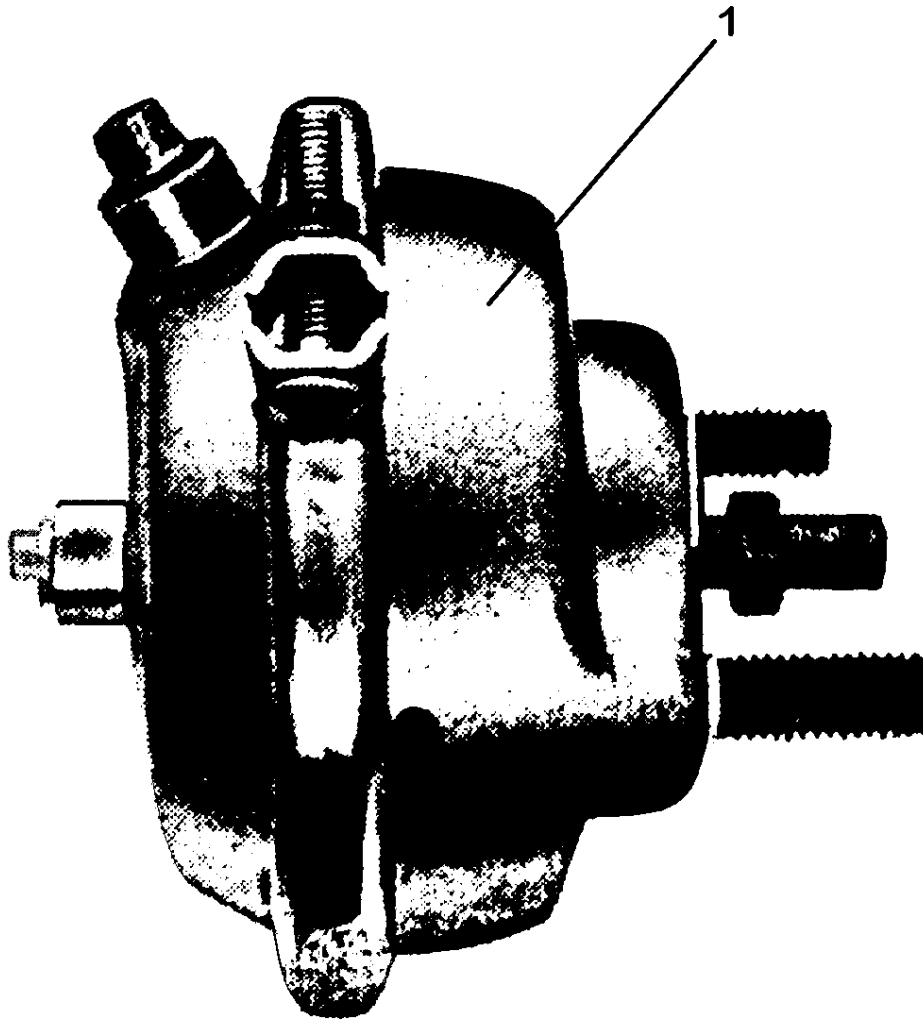


Figure 1.

27P428-2
28-30Fbc.PCX
Rev. 07/98

Chamber Assembly

27P0428-2

Chamber, Air Brake, Front

Item#	Part Number	Qty	UM	Description	Start
	NOTE16			NO SERVICEABLE PARTS AVAILABLE. REPLACE ENTIRE UNIT	
00A	P30015			AXLE ASSEMBLY, FRONT	5387
01	V68-3276-T20	2	EA	CHAMBER, AIR BRAKE, FRONT	4470

SLACK ADJUSTER ASSEMBLY FRONT / REAR U270

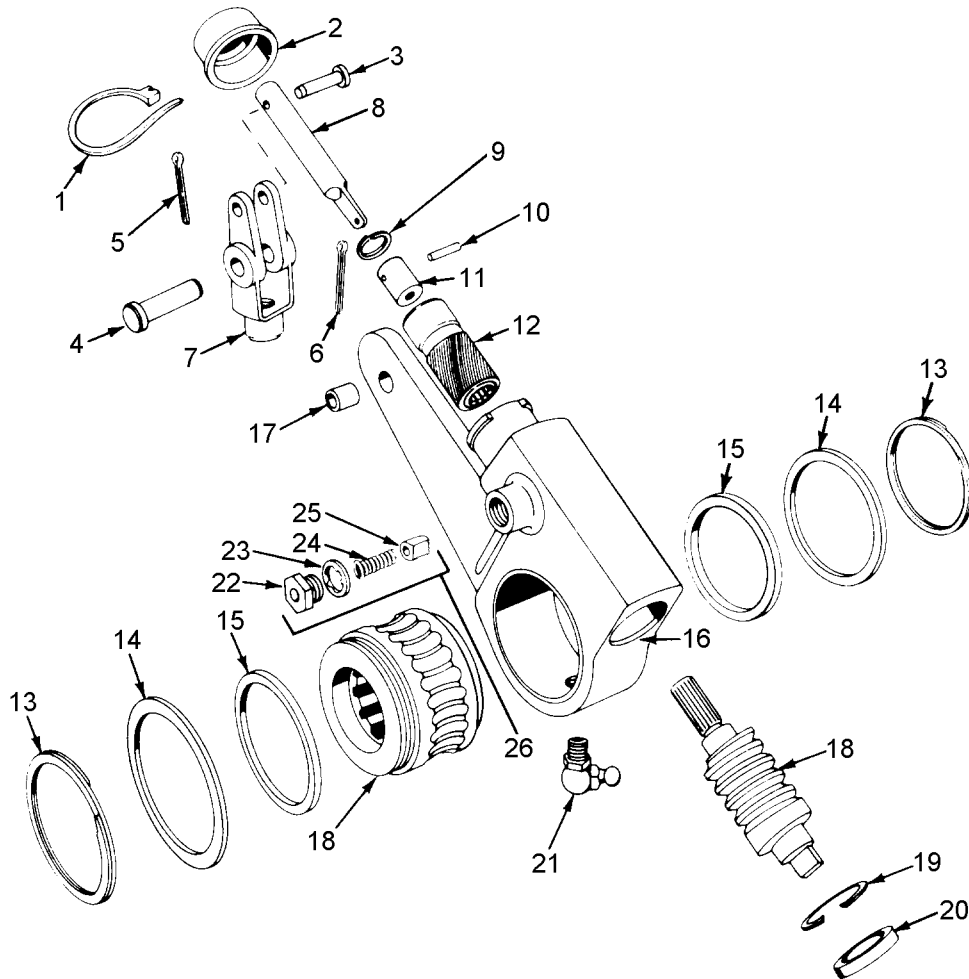


Figure 1.

For Front & Rear Brake

27P430
28BRK-S.PCX
Rev. 03-96

27P0430

Slack Adjuster Assembly, Front/Rear

Item#	Part Number	Qty	UM	Description	Start
00L	A43-3275-A-1145		EA	SLACK ADJUSTER ASSEMBLY, RH	3336
00R	A43-3275-Z-1144		EA	SLACK ADJUSTER ASSEMBLY, LH	3336
01	2257-N-40	1	EA	CLAMP (TIESTRAP) - BLACK (K2)	3336
02	2260-S-1111	1	EA	BOOT, ACTUATOR (K2)	3336
03	19-X-127	1	EA	PIN, SMALL HEADED CLEVIS	3336
04	19-X-1084	1	EA	PIN, LARGE HEADED CLEVIS (K2)	3336
05	K-235	1	EA	COTTER PIN, SMALL HEADED CLEVIS	3336
06	K-248	1	EA	COTTER PIN, LARGE HEADED CLEVIS	3336
07	1245-P-1030	1	EA	CLEVIS, STRAIGHT THREADED (K2)	3336
08	2297-Y-2937	1	EA	ROD, ACTUATOR (K2)	3336
09	1199-V-3740	1	EA	RING, SNAP (PISTON) (K2)	3336
10	1199-U-3739	1	EA	ROLLER, PIN (K2)	3336
11	2230-C-159	1	EA	PISTON, RED (K2)	4522
12	2297-W-2857	1	EA	ACTUATOR / SLEEVE (K2)	3336
13	1199-W-3741	2	EA	SNAP RING, LARGE GEAR	3336
14	1229-R-4178	2	EA	WASHER, THRUST	3336
15	5X-1093	2	EA	"O" RING	3336
16	A-3275-M-689-M	1	EA	LEVER AND BUSHING ASSEMBLY	3336
17	1225-C-835	1	EA	BUSHING, CLEVIS PIN (K2)	3336
18	MPS-2721	1	EA	WORM AND GEARSET-NOT SEPERATE	3336
19	1199-Y-3743	1	EA	SNAP RING, WORM	3336
20	A-1205-G-2269	1	EA	SEAL ASSEMBLY, WORM (K2)	3336
21	1898-R-720	1	EA	FITTING, GREASE	3336
22	A-2206-Y-51	1	EA	SCREW ASSEMBLY, CAP (K1)	3336
23	1729-B-262	1	EA	GASKET (K1)	3336
24	2258-U-567	1	EA	SPRING, PAWL (K1)	3336
25	2297-E-5439	1	EA	GUIDE, PAWL (K1)	3336
26	A1-2297-M-6461	1	EA	(K1) KIT, PAWL ASSEMBLY	3336

FRONT WHEEL ASSEMBLY

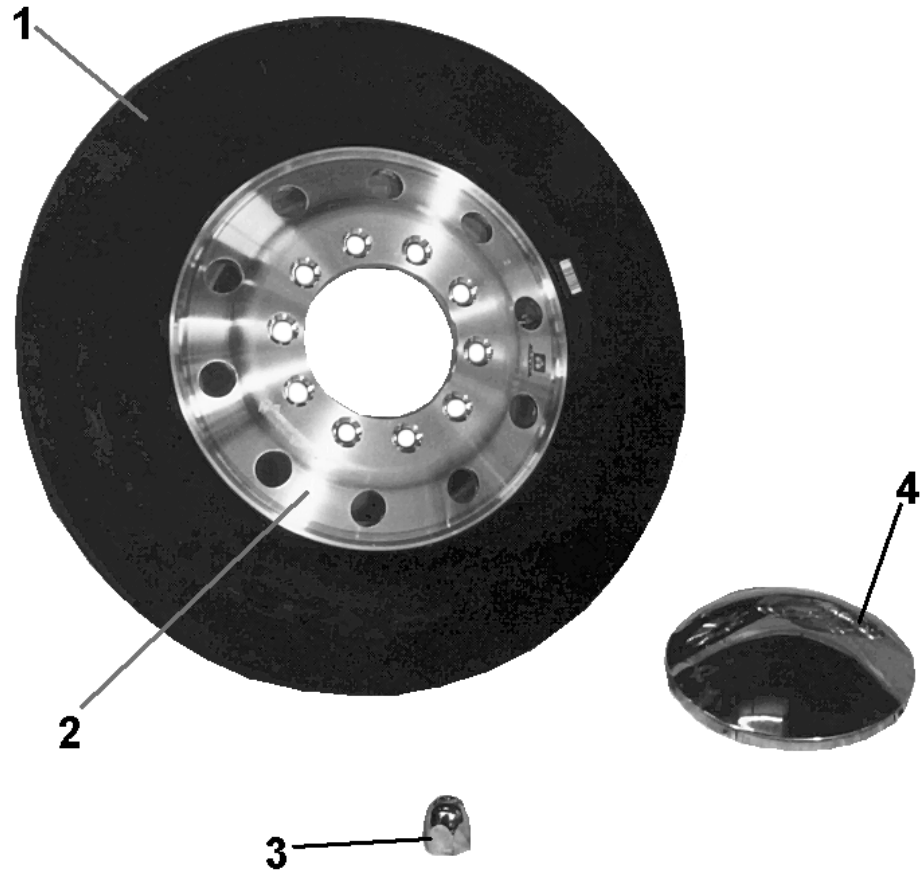


Figure 1.

27P0440.fm
28-30Ft.PCX
Rev. 09/00

Start Unit #5782

27P0440

Front Wheel Assembly

Item#	Part Number	Qty	UM	Description	Start
01	P30016	47178	1	EA TIRE, PILOT, 275/80R22.5 XZA2T16	4989
02	P57405	883624	1	EA WHEEL, ALUMINUM, 10-HOLE / HUB PILOTED	5782
03	NOTE91			INCLUDED WITH HUB COVER KIT	
04	P23435	076185	1	EA KIT, HUB COVER, FRONT, HUB-PILOTED	5211

STEERING GEAR ASSEMBLY, U270

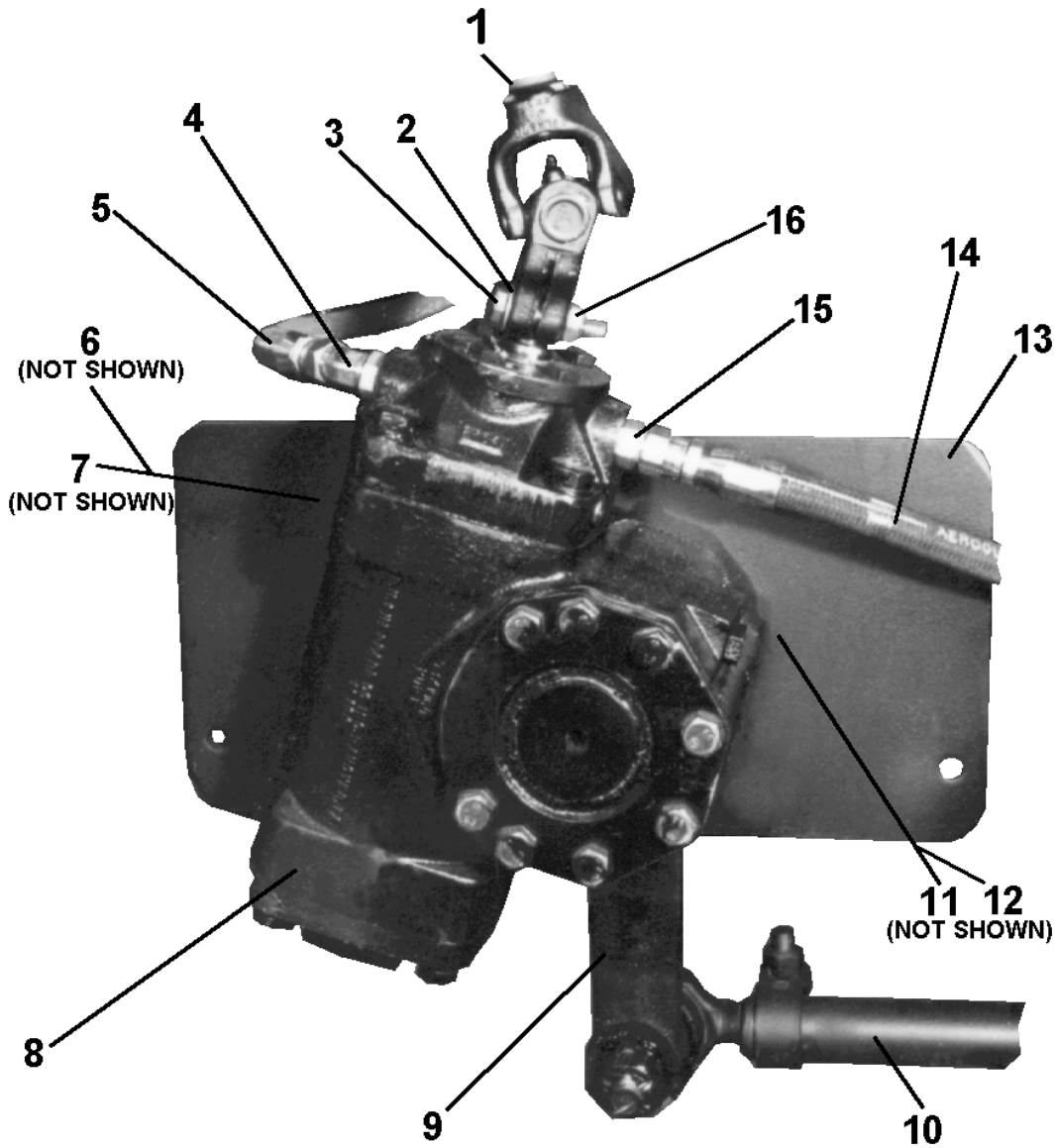


Figure 1.

Steering Gear Assembly

27P459
Steering Gear Assembly.PCX
Rev. 05/15/97

27P0459

Steering Gear Assembly

Item#	Part Number	Qty	UM	Description	Start
01	P0914569	915033	1	EA U-JOINT, STEERING COLUMN TO STEERING GEAR	3321
02	P7000102	54439	1	EA WASHER, FLAT, 7/16"	
03	P7000304	65197	1	EA BOLT, 7/16"-20 X 2 GR8	
04	P7000146	2061-8-8S	1	EA FITTING, HOSE, 45 DEG 3/4"-16 BOS X 3/4"-16 FLARE	
05	P2108		1	EA HOSE, #08, 37', PRESSURE, POWER STEERING	4794
05A	P5821		1	EA HOSE, #08, 40', PRESSURE, POWER STEERING, 40' COACH	4558
06	P31414	70400	2	EA BOLT, 16MM-2.0 X 40MM GR10.9	
07	P7000107	54612	2	EA WASHER, LOCK, 5/8"	
08	P31928		1	EA STEERING GEAR	3847
09	P31933		1	EA PITMAN ARM	4020
10	P36581	12730	1	EA DRAG LINK ASSEMBLY, 57 3/4"	4590
11	P7000110	68108	6	EA WASHER, LOCK, 12MM X 12.2	
12	P32607		6	EA BOLT, 12MM-1.75 X 30MM GR10.9	
13	P34432		1	EA BRACKET, STEERING GEAR	3847
14	P3898		1	EA HOSE, #08, 35', POWER STEERING RETURN, 36' COACH	3587
14A	P3419		1	EA HOSE, #08, 41', POWER STEERING RETURN, 40' COACH	3605
15	P7000147	202702-8-8S	1	EA FITTING, HOSE ADAPTER 3/4"-16 BOS X 3/4"-16 FLARE	
16	P7000297	84307	1	EA NUT, UNITORQUE LOCK, 7/16"-20	

STEERING GEAR U270

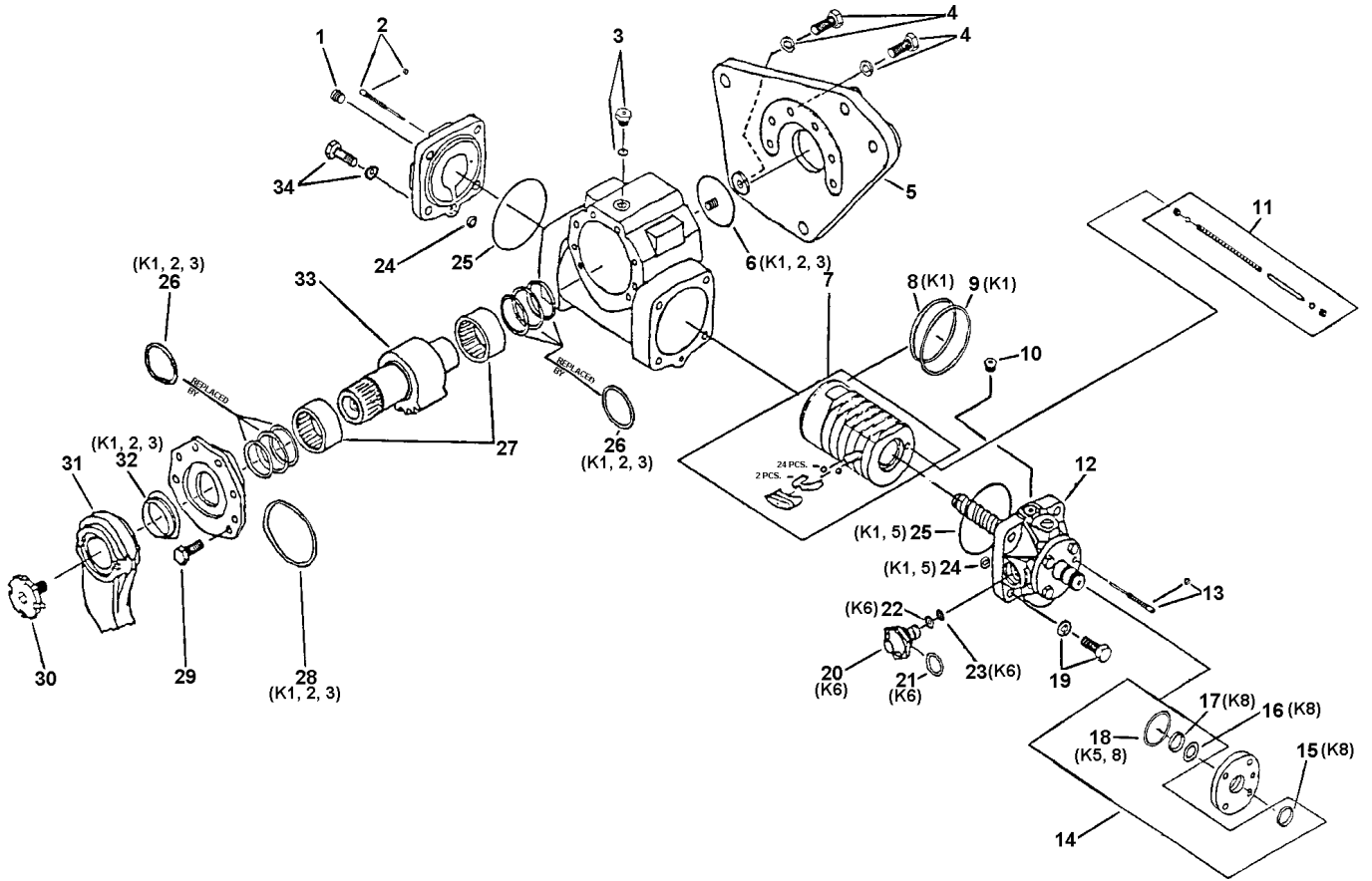


Figure 1.

27P0460

Steering Gear

Item#	Part Number	Qty	UM	Description	Start
	P31928		EA	STEERING GEAR	3847
01	3331261	2	EA	PLUG, SLAVE PORT	3847
02	1820921K	1	EA	KIT, CYLINDER HEAD PLUNGER	3847
03	3331322K	1	EA	KIT, SERVICE BLEEDER PLUG	3847
04	NOTE94			* PURCHASE LOCALLY *	
05	NOTE93			* NOT SERVICEABLE *	
06	NOTEKIT	1	KT	AVAILABLE ONLY IN DENOTED KIT	
07	5540441	1	EA	(K4) KIT, PISTON	3847
08	NOTEKIT	1	KT	AVAILABLE ONLY IN DENOTED KIT	
09	NOTEKIT	1	KT	AVAILABLE ONLY IN DENOTED KIT	
10	3331261	1	EA	PLUG, SLAVE PORT	3847
11	0751921K	1	EA	(K7) KIT, RELIEF VALVE SPRING	3847
12	5541071	1	EA	(K5) KIT, BEARING CAP AND SHAFT	3847
13	1820881K	1	EA	KIT, PLUNGER BEARING CAP	3847
14	5541351A	1	EA	(K8) KIT, INPUT SHAFT SEAL	3847
15	NOTEKIT	1	KT	AVAILABLE ONLY IN DENOTED KIT	
16	NOTEKIT	1	KT	AVAILABLE ONLY IN DENOTED KIT	
17	NOTEKIT	1	KT	AVAILABLE ONLY IN DENOTED KIT	
18	NOTEKIT	1	KT	AVAILABLE ONLY IN DENOTED KIT	
19	SC99022	4	EA	* PURCHASE LOCALLY * BOLT, M14 X 2.0 X 45MM G9.8	3849
20	NOTEKIT	1	KT	AVAILABLE ONLY IN DENOTED KIT	
21	NOTEKIT	1	KT	AVAILABLE ONLY IN DENOTED KIT	
22	NOTEKIT	1	KT	AVAILABLE ONLY IN DENOTED KIT	
23	NOTEKIT	1	KT	AVAILABLE ONLY IN DENOTED KIT	
24	NOTEKIT	2	KT	AVAILABLE ONLY IN DENOTED KIT	
25	NOTEKIT	2	KT	AVAILABLE ONLY IN DENOTED KIT	
26	NOTEKIT	2	KT	AVAILABLE ONLY IN DENOTED KIT	
27	5541331	1	EA	(K3) KIT, ROLLER BEARING SERVICE	3847
28	NOTEKIT	1	KT	AVAILABLE ONLY IN DENOTED KIT	
29	SC99023	8	EA	* PURCHASE LOCALLY * BOLT, M12 X 1.75 X 25MM G8.8	3849
30	1790932K	1	EA	KIT, PITMAN ARM RETAINER	3847
31	P31933	1	EA	PITMAN ARM	4020
32	NOTEKIT	2	KT	AVAILABLE ONLY IN DENOTED KIT	
33	5541911	1	EA	(K2) KIT, SECTOR SHAFT SERVICE	3847
34	SC99024	4	EA	* PURCHASE LOCALLY * BOLT, M14 X 2.0 X 35MM G8.8	3849
999	5540311A	1	EA	(K1) KIT, REBUILD GASKET / SEAL	3847

DRAG LINK ASSEMBLY U270



Figure 1.

Drag Link Assembly

27P467
28-30D-L.PCX
Rev. 03-96

27P0467

Drag Link Assembly

Item#	Part Number	Qty	UM	Description	Start
01	P36581 12730	1	EA	DRAG LINK ASSEMBLY, 57 3/4"	4590
02	9189-96	2	EA	NUT, CASTLE, BALL JOINT END 7/8"-14	3690
03	12008BNW	1	EA	BALL JOINT, LH, DRAG LINK ASSEMBLY	3690
04	12007BNW	1	EA	BALL JOINT, RH, DRAG LINK ASSEMBLY	3690



Foretravel, inc.

Motorhomes

Group 500

Rear Axle

REAR AXLE ASSEMBLY

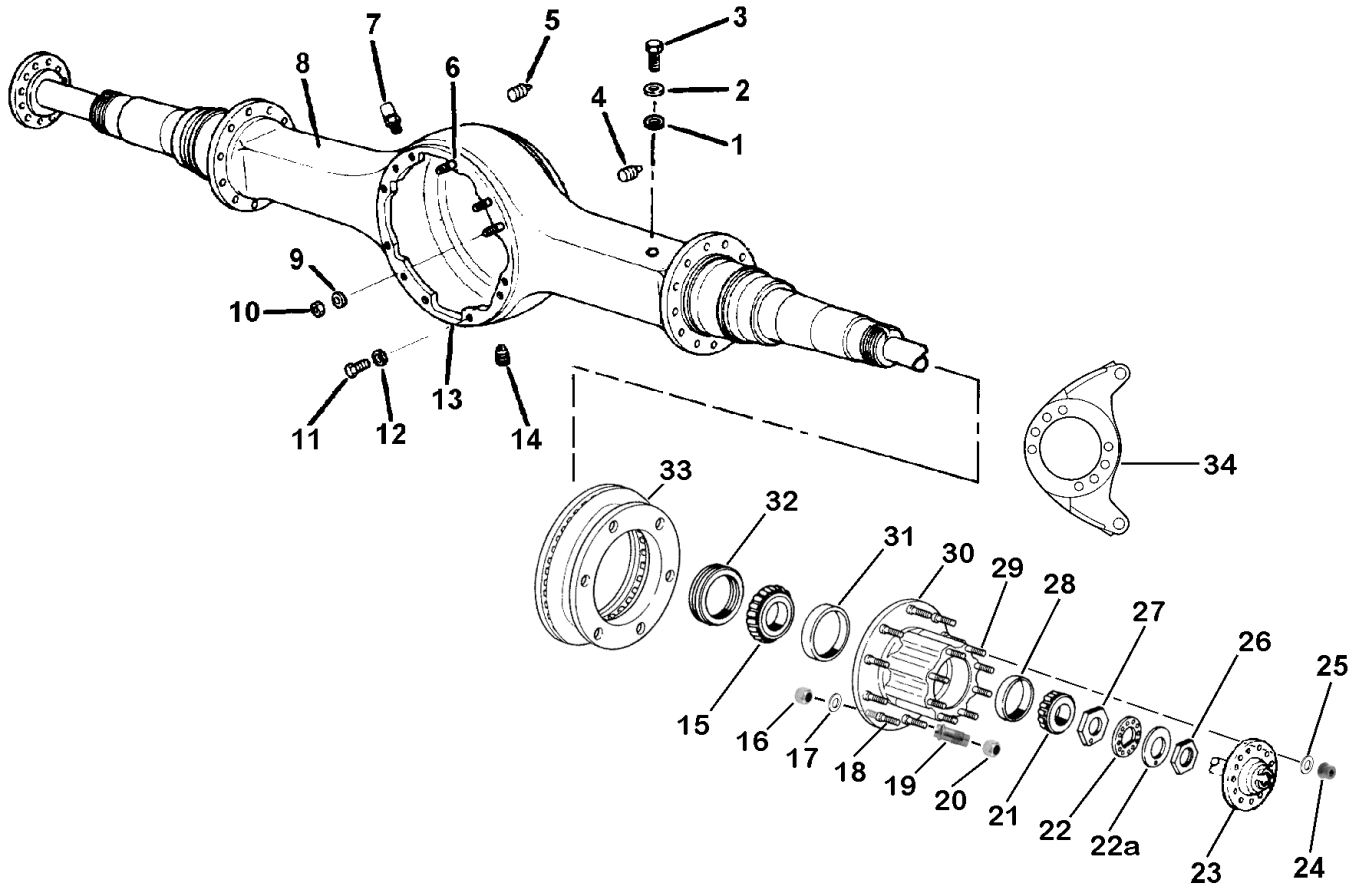


Figure 1.

4.63 Ratio

27P505-2
RS21145NFCF433 Rear Axle.PCX
Rev. 05/98

27P0505-2

Axle Assembly, Rear

Item#	Part Number	Qty	UM	Description	Start
	P23453			RS21145NFCF43	
00A	P3629			A3343	
01	1229-E-1669	4	EA	AXLE ASSM, REAR W/ ABS BRAKES 4.63 RATIO	5387
02	2208-P-536	4	EA	BRACKET SET, REAR AXLE STABILZER (NOT SHOWN)	4594
03	S-252-1	2	EA	LOCKWASHER, CAPSCREW (K1)	3336
04	P-212	1	EA	GASKET, BRAKE LINE BRACKET	3336
05	P-28S	1	EA	CAPSCREW, CAP (K1)	3336
06	1246-F-370	2	EA	PLUG, OIL FILL, NON-MAGNETIC	3336
06A	1246-B-288	2	EA	PLUG, HEAT INDICATOR	3336
07	A-1199-P-1394	1	EA	STUD, HOUSING TO CARRIER	3336
08	C3121-K-1753	1	EA	STUD, HOUSING TO CARRIER	3336
09	1229-U-1503	12	EA	BREATHER ASSEMBLY	3336
10	NL210-1	4	EA	AXLE HOUSING	3336
11	10X1594	8	EA	WASHER	4276
11A	10X1605	4	EA	NUT, CARRIER TO HOUSING STUD	3336
12	1229-U-1503	12	EA	CAPSCREW, CARRIER TO HOUSING SHORT	5387
13	1199-S-1475	1	EA	CAPSCREW, CARRIER TO HOUSING LONG	5387
14	1250-E-473	2	EA	WASHER	4276
15	594A	2	EA	GASKET, HOUSING TO CARRIER	3336
16	NL-112-1	20	EA	MAGNETIC PLUG, DIFFERENTIAL	3336
17	1229-V-1504	20	EA	CONE, BEARING, WHEEL END	3336
18	20X2400	20	EA	NUT, ROTOR STUD	3336
19	1227Z137B	20	EA	WASHER, FLAT, ROTOR STUD	3336
20	NL-112-1	20	EA	STUD, HUB (K1)	5212
21	580	2	EA	NUT, HUB	5159
22	1229-F-4634	2	EA	NUT, ROTOR STUD	3336
22A	1229G4635	2	EA	CONE, WHEEL END	3336
23	3202-S-9041	1	EA	WASHER, LOCK, WHEEL END	4594
23A	3202-T-9042	1	EA	WASHER, LOCK	5159
24	N-110-1	16	EA	AXLE SHAFT, LONG, LH	3336
25	1229-X-518	16	EA	AXLE SHAFT, SHORT, RH	3336
26	1227-R-330	2	EA	NUT, AXLE TO HUB	3336
27	1227-W-517	2	EA	WASHER, LOCK, EXTERNAL STAR	3336
28	572	2	EA	NUT, OUTER WHEEL BEARING	3336
29	1246V1166	16	EA	NUT, INNER WHEEL BEARING	3336
30	HRRF 00RG10	2	EA	CUP, BEARING, WHEEL END	3336
31	592A	2	EA	DOWEL, TAPERED, AXLE TO HUB	5387
32	A1205Q2487	2	EA	HUB / STUD ASSEMBLY (K1)	5212
33	3218-K-167	2	EA	CUP, BEARING, WHEEL END	3336
34	A-3215-E-1253	1	EA	SEAL, AXLE TO HUB	5212
34A	A-3215-D-1252	1	EA	ROTOR ASSEMBLY, BRAKE (K1)(K2)	3336
999	HRRF 56RG54 N 1	1	EA	TORQUE PLATE ASSEMBLY, LH REAR	4594
				TORQUE PLATE ASSEMBLY, RH REAR	4594
				(K1) KIT, HUB / ROTOR ASSEMBLY	5212

ABS BRAKING SYSTEM, REAR

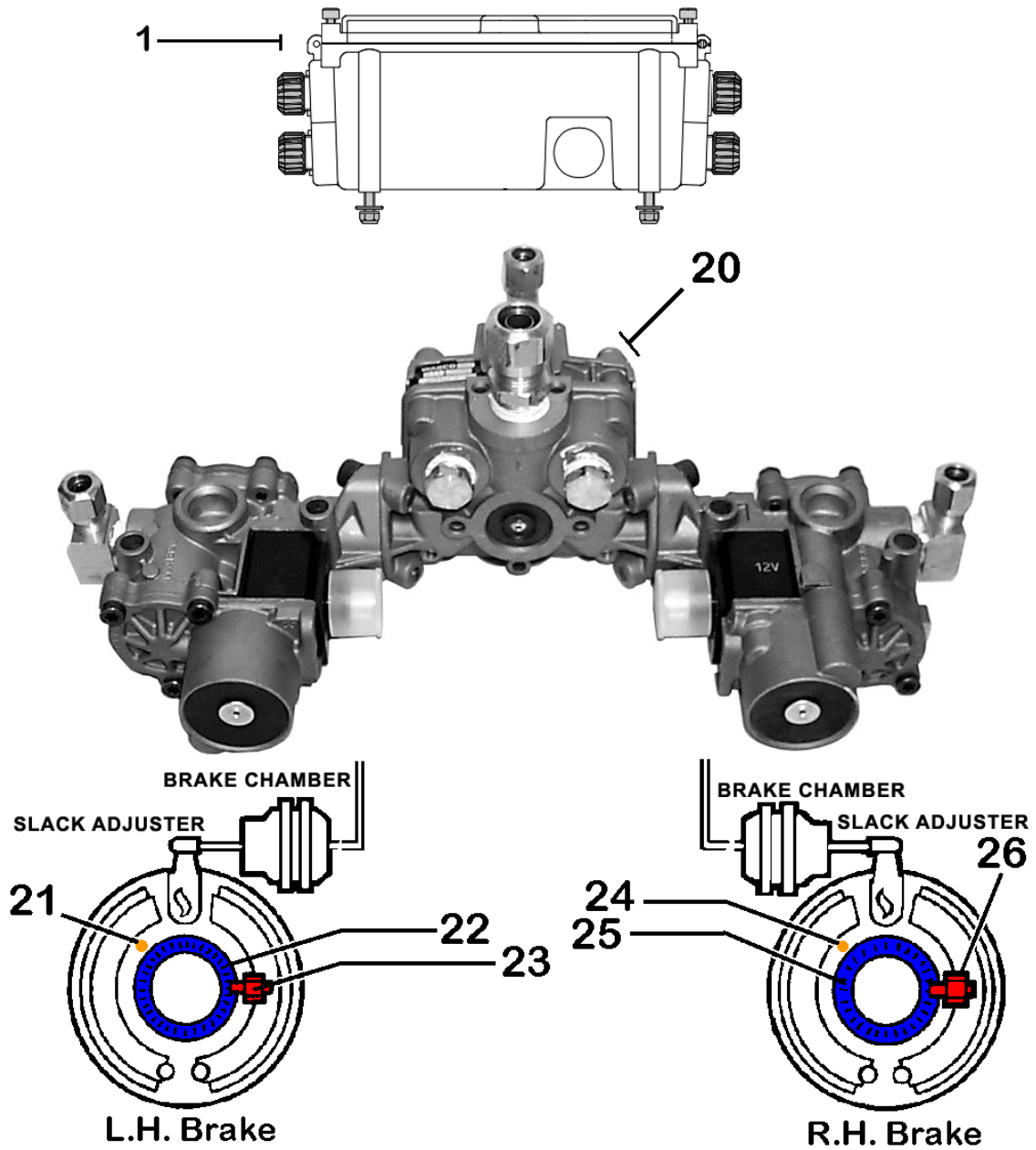


Figure 1.

27P0510

Anti-lock Braking System, Rear

Item#	Part Number	Qty	UM	Description	Start
01	P54403	4446 004 405 0	EA	ECU, ANTI-LOCK BRAKING SYSTEM CONTROL	5638
20	P54418	1	EA	VALVE ASSEMBLY, ABS BRAKE, REAR CONTROL	5651
20A	P54406	472 500 100 0	EA	VALVE, REAR ABS, 12V	5651
21	2237-Q-1005	2	EA	BUSHING, ABS SENSOR	4594
22	3237-G-1047	2	EA	SENSOR RING (EXCITER), ABS BRAKE	4594
23	A-2237-G-1073	2	EA	SENSOR ASSEMBLY, REAR, ABS BRAKE	4594
24	2237-Q-1005	2	EA	BUSHING, ABS SENSOR	4594
25	3237-G-1047	2	EA	SENSOR RING (EXCITER), ABS BRAKE	4594
26	A-2237-G-1073	2	EA	SENSOR ASSEMBLY, REAR, ABS BRAKE	4594

RIDE-HEIGHT CONTROL VALVE, REAR

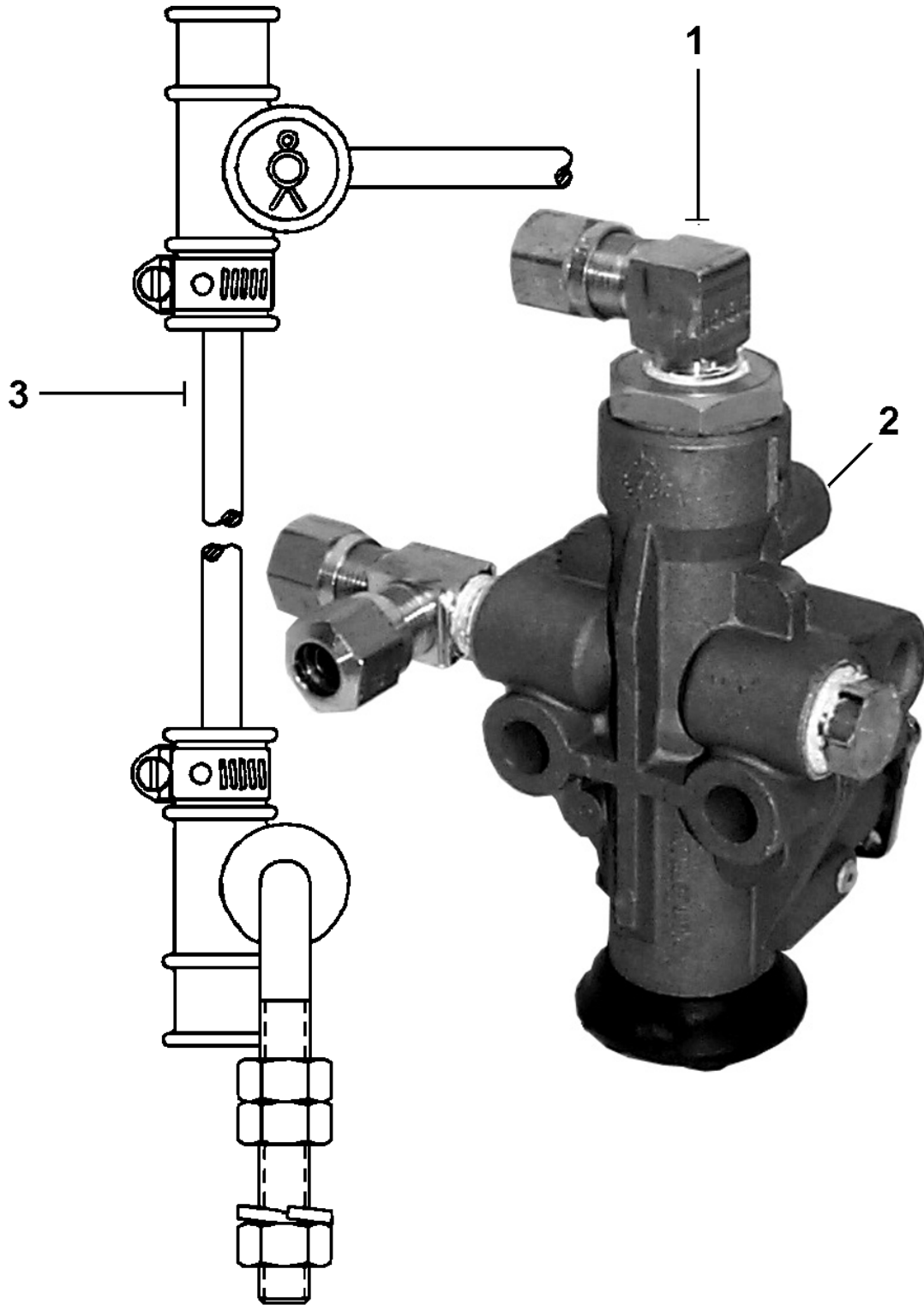


Figure 1.

27P517.fm
Group 417 Level.PCX
Rev. 08/99

27P0517

Ride-height Control Valve Assembly

Item#	Part Number	Qty	UM	Description	Start
01	P33056	2		VALVE ASSEMBLY, RIDE-HEIGHT CONTROL, REAR	3967
02	P54399	1	EA	VALVE, RIDE-HEIGHT CONTROL	5606
03	P54398	1	KT	KIT, LEVEL VALVE LINKAGE	5606

REAR AXLE CARRIER ASSEMBLY

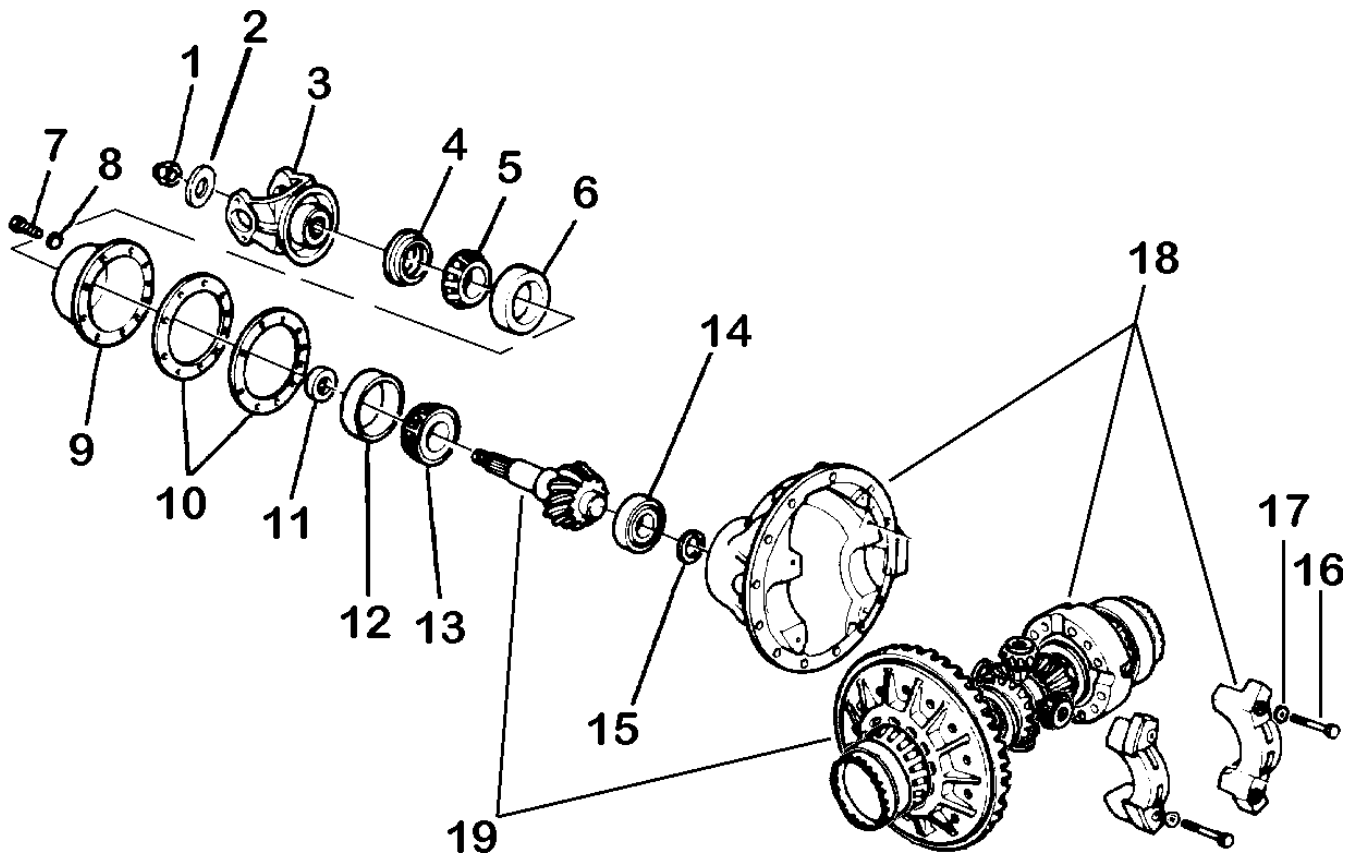


Figure 1.

4.63 Ratio

27P0520-2

Carrier Assembly, Drive Axle, 4.63 Ratio

Item#	Part Number	Qty	UM	Description	Start
01	40X1237	1	EA	NUT, DRIVE PINION (K1)	5212
02	1229-T-1736	1	EA	WASHER, DRIVE PINION NUT (K1)	4276
03	A3260G1645	1	EA	YOKE ASSEMBLY, INPUT	5212
04	A1205H2426	1	EA	SEAL, OIL, PINION BEARING CAGE	5212
05	55206C	1	EA	CONE, OUTER BEARING DRIVE PINION	4276
06	55437	1	EA	CUP, BEARING ASSY	4276
07	MS-212045-1	8	EA	CAPSCREW	4276
08	1229D4632	8	EA	WASHER	5212
09	A-3226-N-1236	1	EA	PINION BEARING CAGE / CAP ASSM *INCLUDES (52069) & (52088)	4276
10	2203C8115	2	EA	SHIM, .003 IN / .075 MM	5212
10A	2203D8116	2	EA	SHIM, .005 IN / .125 MM	5212
10B	2203E8117	2	EA	SHIM, .010 IN / .250 MM	5212
10C	2203B9804	2	EA	SHIM, .020 IN / .500 MM	5212
11	2203-J-9474	1	EA	SPACER, .345 IN / 8.75 MM	4276
12	72487	1	EA	CUP, INNER BEARING DRIVE PINION	4276
13	72212C	1	EA	CONE, INNER BEARING DRIVE PINION	4276
14	1228-F-552	1	EA	BEARING, DRIVE PINION SPIGOT	4276
15	1229-A-1301	1	EA	SNAP RING	4276
16	MS-220120-1	4	EA	CAPSCREW (K3)	4276
17	42X-1021	4	EA	WASHER	4276
18	A41672463	1	KT	GEAR SET, RING AND PINION, 4.63 RATIO	5387
19	B773200S186546	1	KT	CARRIER ASSEMBLY, DRIVE AXLE 4.63 RATIO	5387

DRIVELINE ASSEMBLY, U270

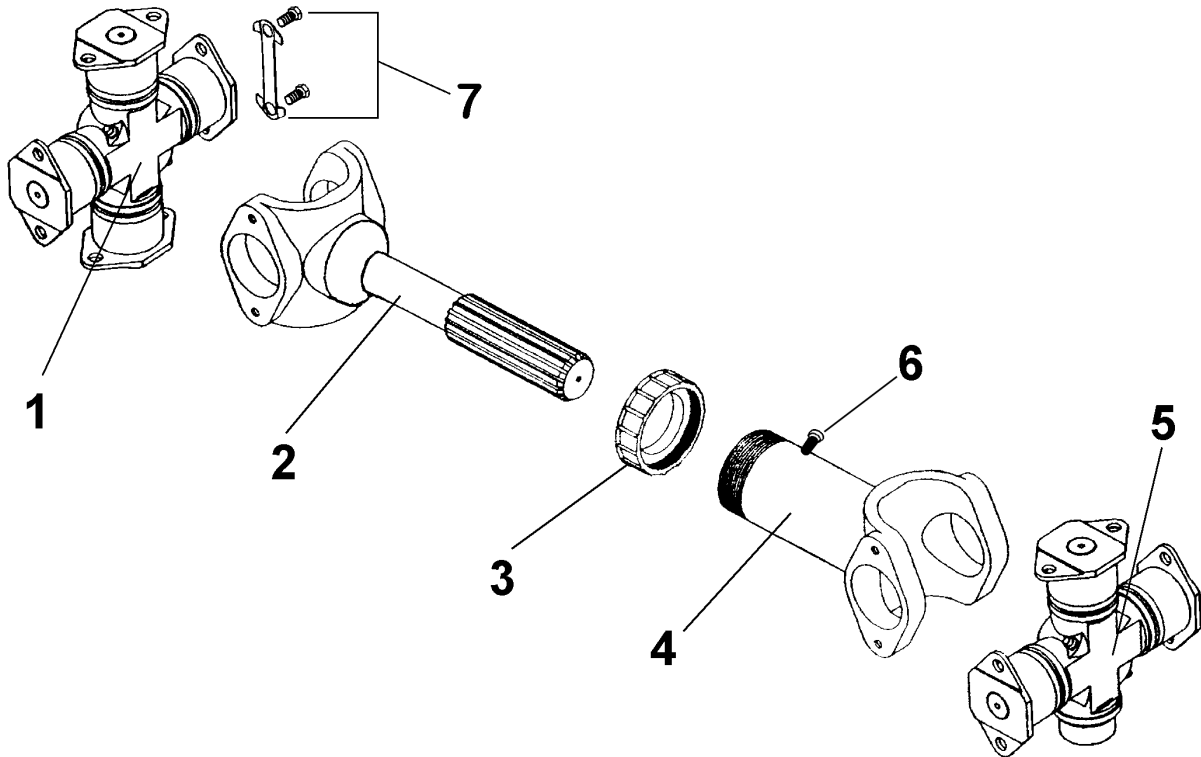


Figure 1.

27P0525-1

Driveline Assembly

Item#	Part Number	Qty	UM	Description	Start
	P23401			DRIVELINE ASSEMBLY	4771
01	5-280X	2	EA	U-JOINT KIT	3336
02	6-82-1341-1	1	EA	YOKE SHAFT, DRIVE SHAFT	4771
03	6.3-86-18	1	EA	SEAL, DUST CAP	3336
04	6-3-2671X	1	EA	SHAFT, SLEEVE YOKE	4771
05	5-280X	2	EA	U-JOINT KIT	3336
06	5001682	8	EA	FITTING, GREASE (NOT SHOWN)	3797
07	6-73-209	4	EA	BOLT, SELF-LOCKING W/ LOCK PATCH {INCLUDED W/ (52517)}	4470

SPRING BRAKE CHAMBER, REAR, U270

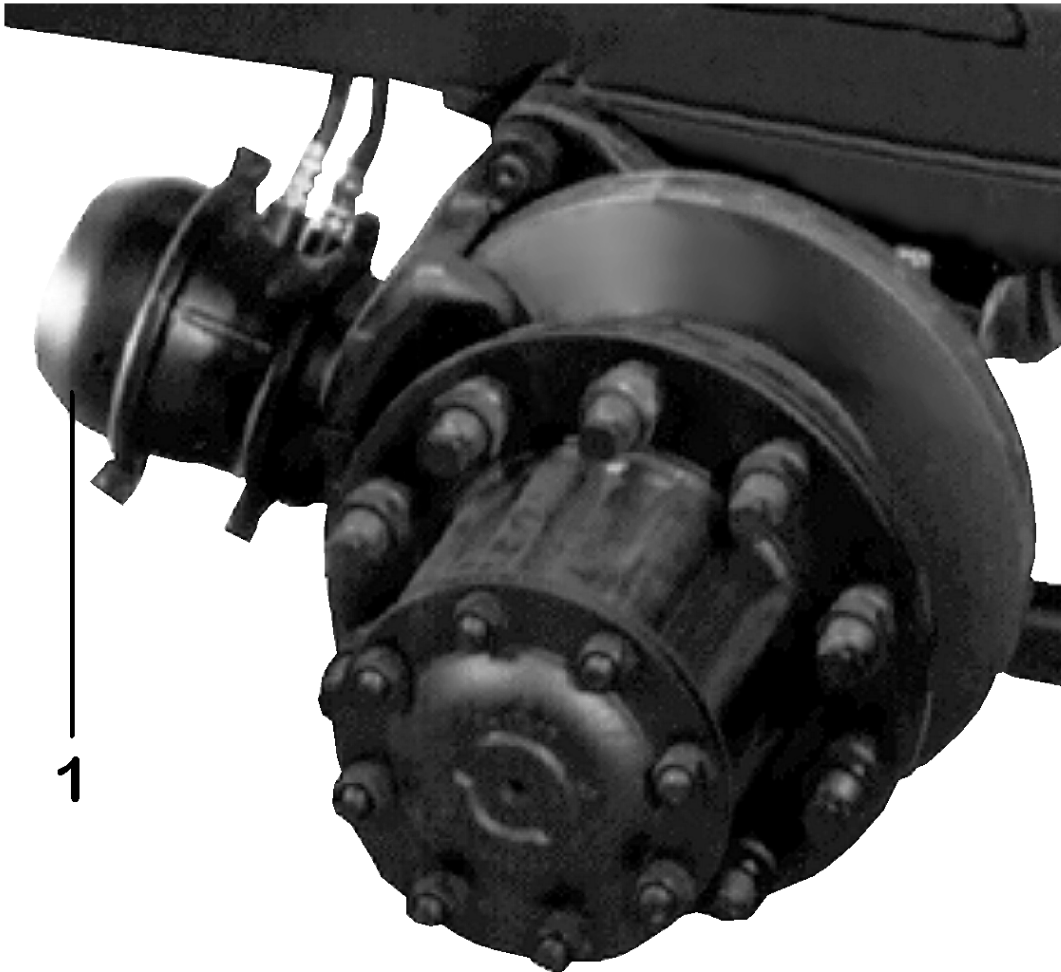


Figure 1.

Hub Piloted Axle

27P533-1
28-30Rbc.PCX
Rev. 06/97

27P0533-1

Chamber, Spring Brake, Rear

Item#	Part Number	Qty	UM	Description	Start
	NOTE16			NO SERVICEABLE PARTS AVAILABLE. REPLACE ENTIRE UNIT	
00A	P23453		EA	AXLE ASSM, REAR W/ ABS BRAKES 4.63 RATIO	5387
01A	C283276X24	1	EA	CHAMBER, SPRING BRAKE, LH	5212
01B	C293276X24	1	EA	CHAMBER, SPRING BRAKE, RH	5212

REAR WHEEL ASSEMBLY

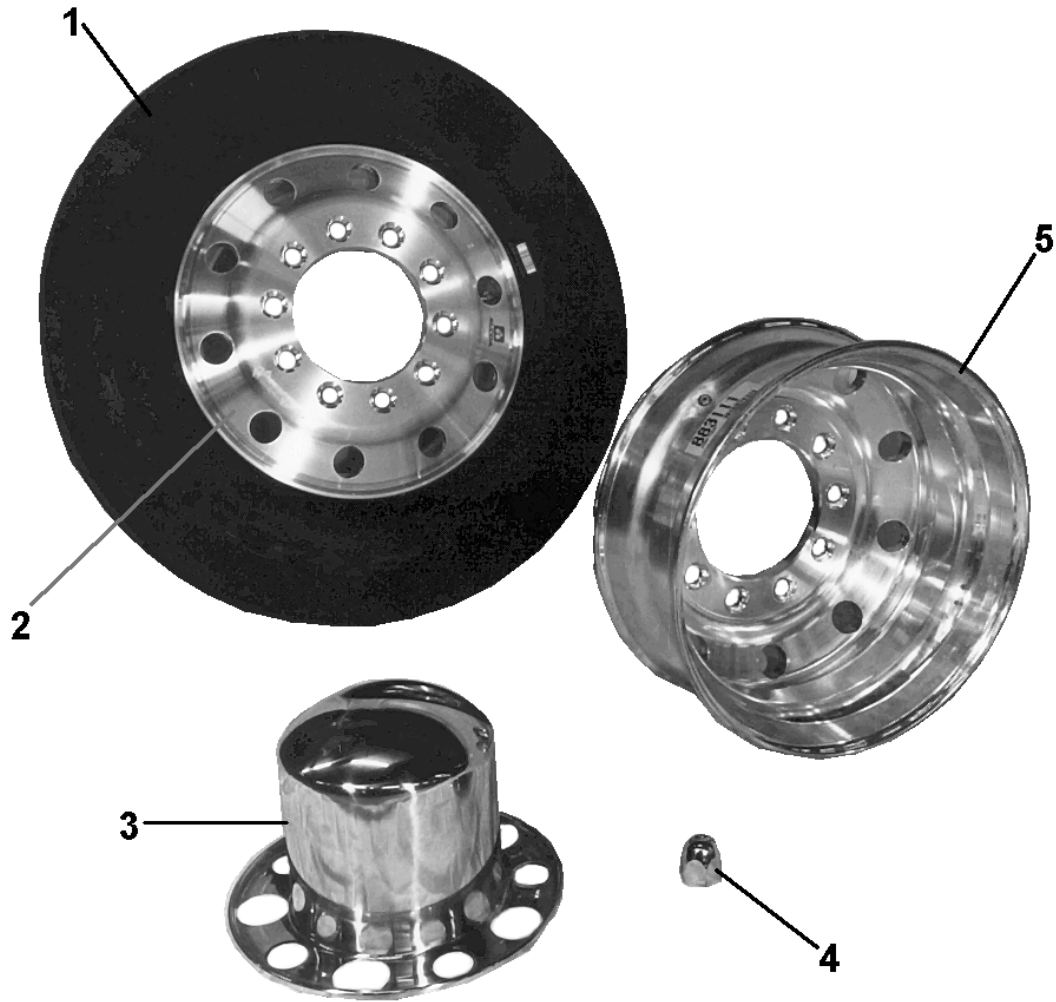


Figure 1.

27P0540

Rear Wheel Assembly

Item#	Part Number	Qty	UM	Description	Start
01	P30016	47178	2	EA TIRE, PILOT, 275/80R22.5 XZA2T16	4989
02	P23429	28408	1	EA WHEEL, STEEL, REAR INNER	5212
03	P23436	077185	1	KT KIT, HUB COVER, REAR, HUB-PILOTED	5211
04	NOTE91			INCLUDED WITH HUB COVER KIT	
05	P57405	883624	1	EA WHEEL, ALUMINUM, 10-HOLE / HUB PILOTED	5782



Foretravel, inc.

Motorhomes

Group 600
Air System

PARK BRAKE VALVE ASSEMBLY, U270

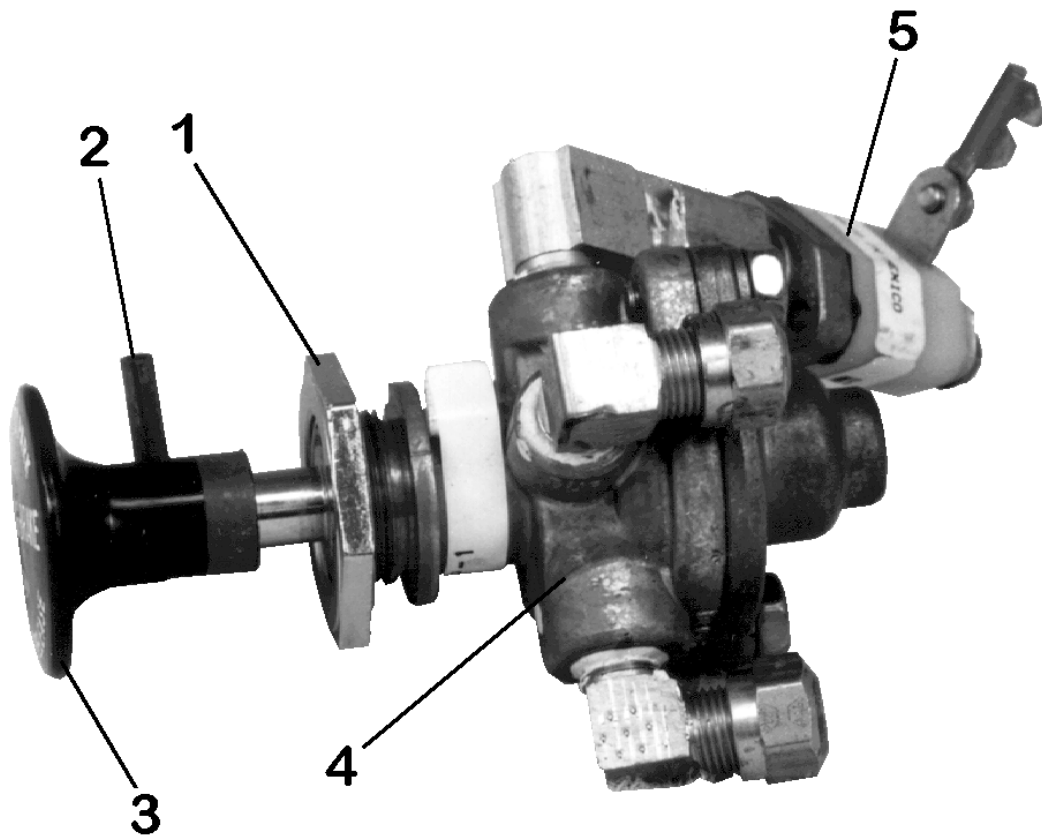


Figure 1.

Park Brake Valve Assembly

27P620-1
620-2VLV.PCX
Rev. 05/15/97

27P0620-1

Control Valve Assembly, Park Brake

Item#	Part Number	Qty	UM	Description	Start
	P2658			VALVE ASSEMBLY,PARKING CONTROL	3587
01	239379	1	EA	NUT, SEALING	3336
02	238379	1	EA	ROLL PIN	3336
03	240302	1	EA	BUTTON, PARK VALVE	3336
04	P39079	1	EA	VALVE, PARK BRAKE CONTROL	4754
05	P38163	1	EA	SWITCH, PRESSURE, 10PSI	5458

SPRING BRAKE RELAY VALVE ASSEMBLY, U270

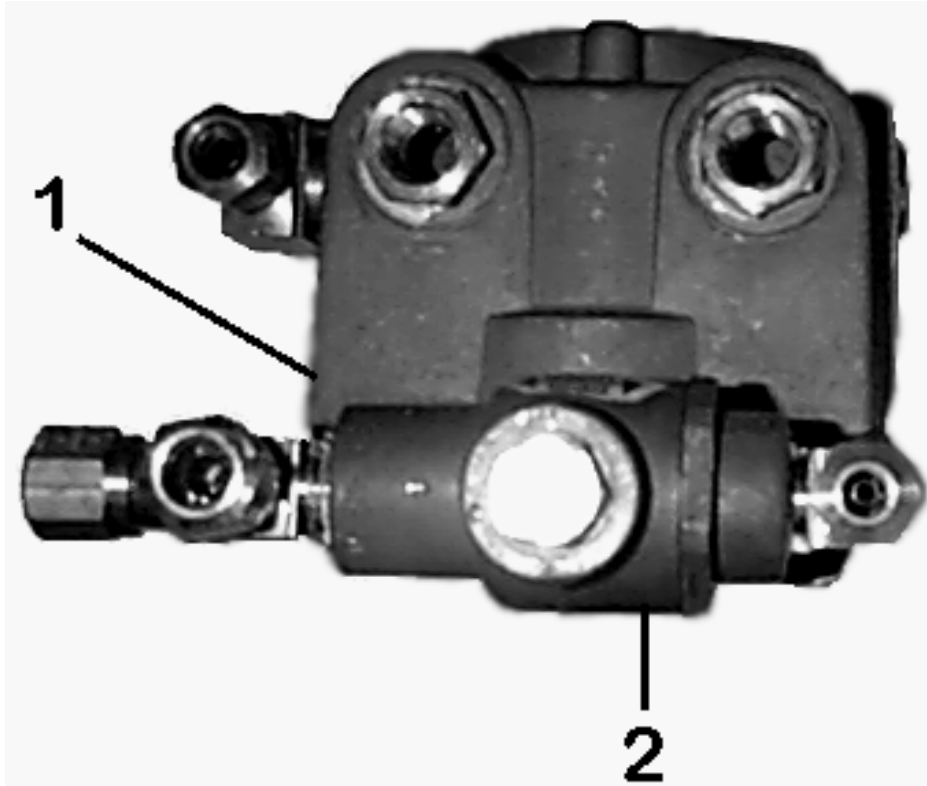


Figure 1.

27P630
Group 630 Valve.PCX
Rev. 05/98

Relay Valve Assembly

27P0630

Spring Brake Relay Valve Assembly

Item#	Part Number	Qty	UM	Description	Start
	P29781			VALVE ASSEMBLY, SPRING BRAKE W/ ECV	5387
01	P39082	1	EA	VALVE, SERVICE BRAKE RELAY	5387
02	P34191	1	EA	VALVE, DOUBLE CHECK, 1/4" FPT	3336

SPRING BRAKE INVERSION VALVE ASSEMBLY, U270

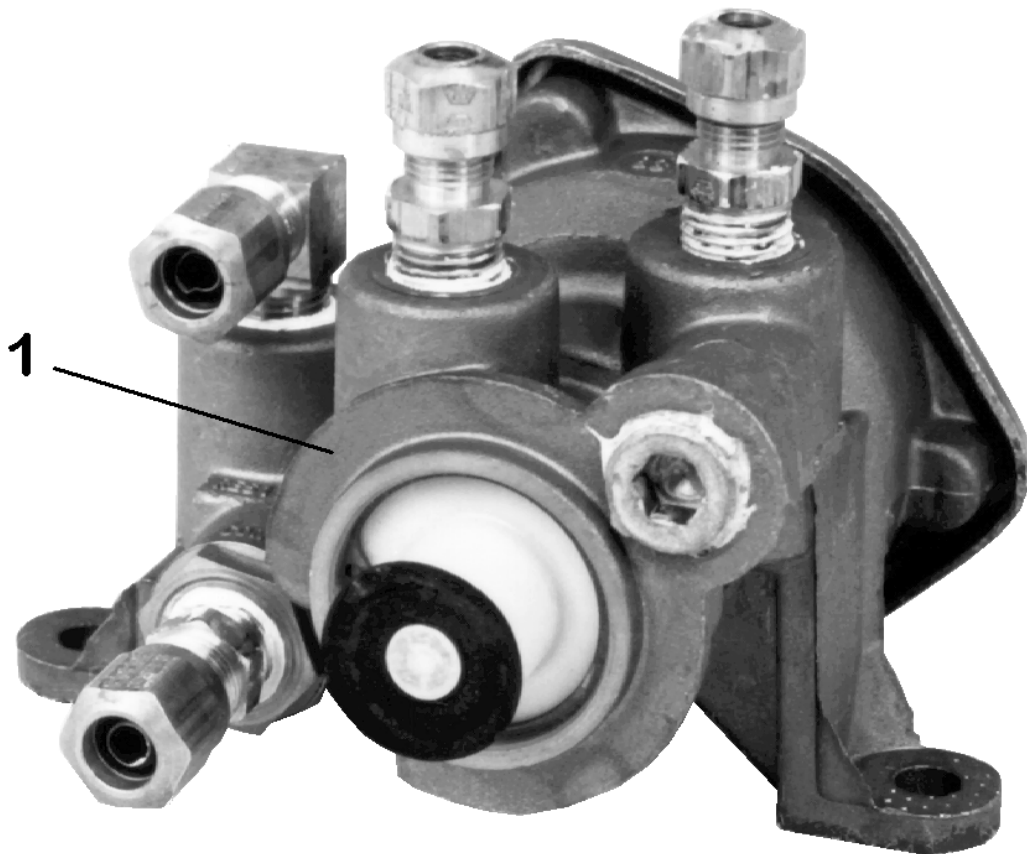


Figure 1.

27P641
641-1Viv.PCX
Rev. 05/98

Inversion Valve Assembly

27P0641

Valve Assembly, Spring Brake Inversion

Item#	Part Number	Qty	UM	Description	Start
	P6081		EA	VALVE ASSEMBLY, SPRING BRAKE INVERSION	3575
01	P30049	N20950CA	1	EA VALVE, SPRING BRAKE INVERSION	5387

BRAKE (TREADLE) VALVE ASSEMBLY

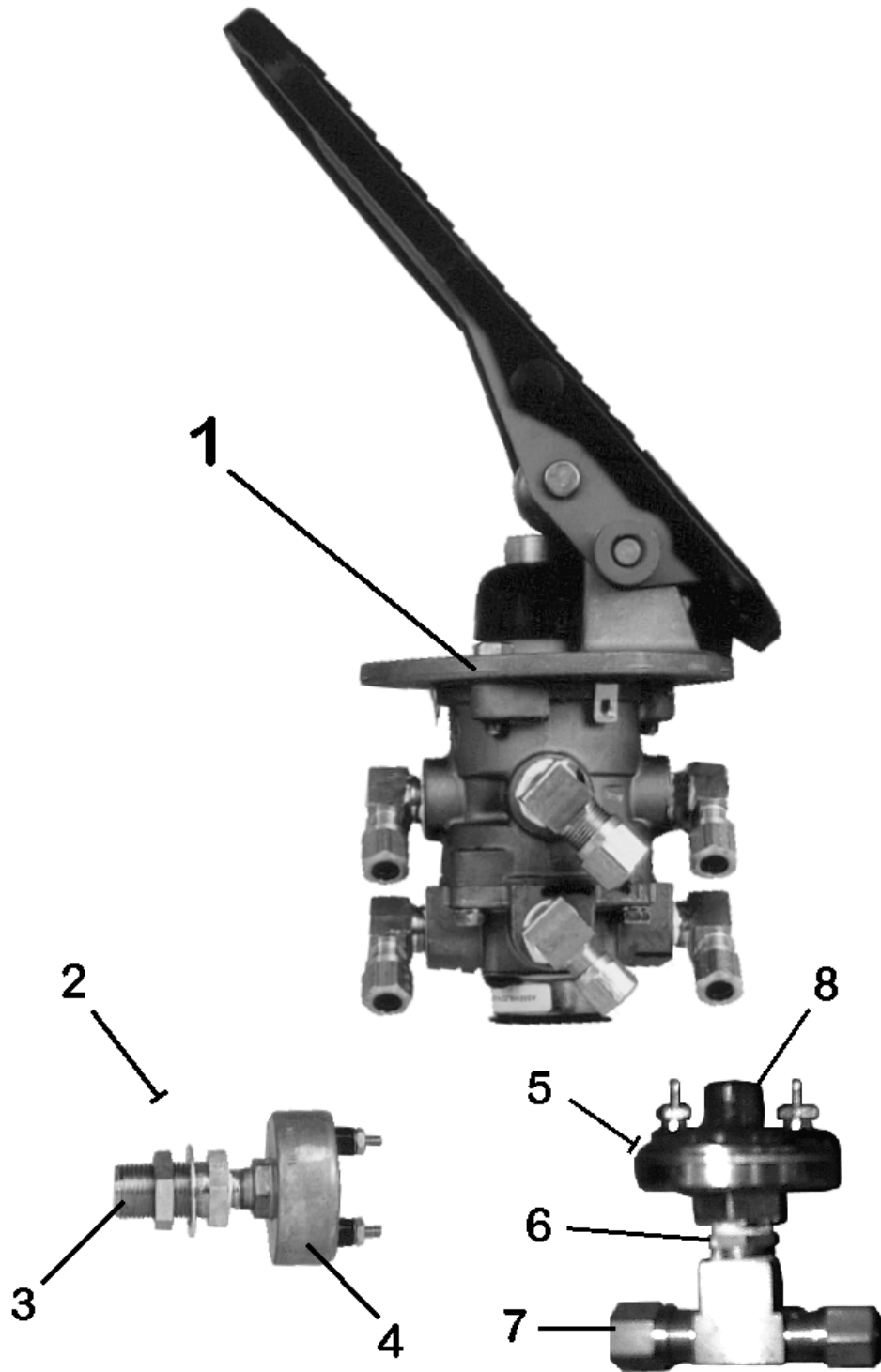


Figure 1.

Brake Valve Assembly

27P649-1.fm
649, Brake Valve.PCX
Rev. 04/99

27P0649-1

Brake (Treadle) Valve Assembly

Item#	Part Number	Qty	UM	Description	Start
	P38699			VALVE ASSEMBLY,TREADLE (BRAKE)	4707
01	P39086	N-30072-GC	1	EA VALVE, BRAKE (TREADLE)	4754
02	P38900		2	EA SWITCH ASSEMBLY, STOP LIGHT	4707
03	P07995	W05465	2	EA COUPLING BULKHEAD,BRASS,1 1/2"	3321
04	P39084	3250	2	EA SWITCH, STOPLIGHT	4754
05	P38171		2	EA SWITCH ASSEMBLY, LOW PRESSURE, 1/4"	5466
06	P0758010	3300X2	1	EA FITTING, BRASS COUPLING, 1/8" (AIR)	3322
07	P37537	X272NTA-4-2	1	EA FITTING, BRASS TEE, 1/4" TUBE X 1/4" TUBE X 1/8" MPT	4595
08	P39088	13241-A	1	EA INDICATOR SWITCH, LOW PRESSURE	4754

AIR TANK ASSEMBLY, FRONT

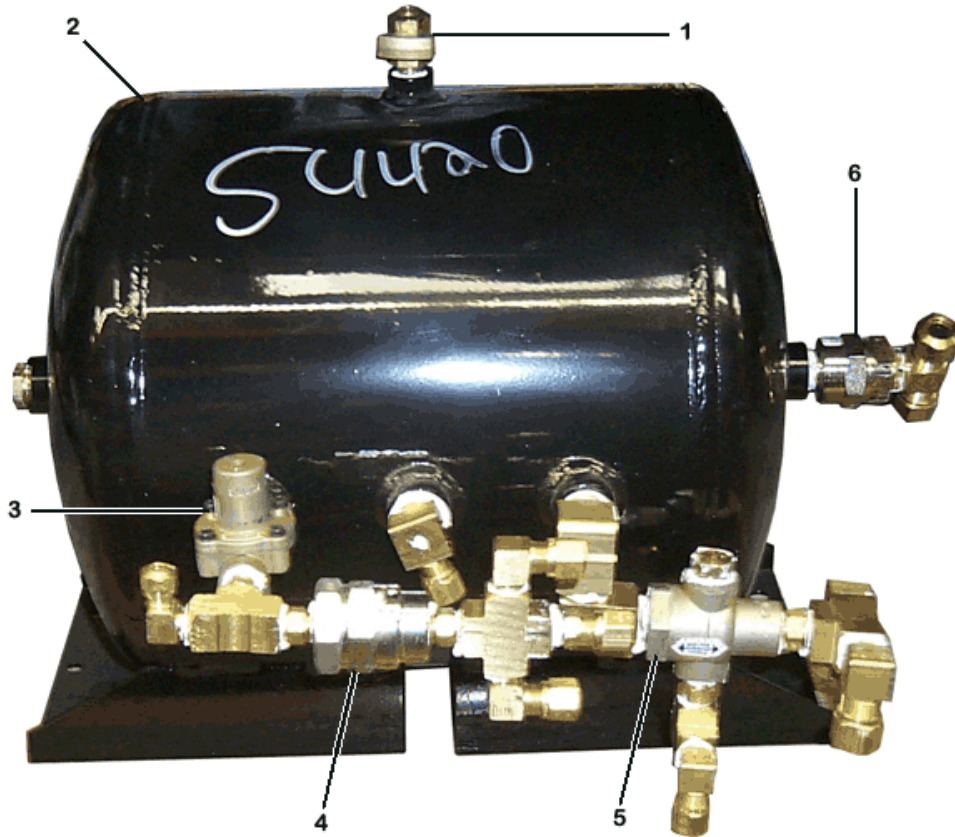


Figure 1.

27P0660
Group 660 Tank (2001).PCX
Rev. 09/00

Start Unit #5615

27P0660

Air Tank Assembly, Front

Item#	Part Number	Qty	UM	Description	Start
	P54420		EA	TANK ASSEMBLY, FRONT, AIR	5615
01	P39081	10719	1	EA DRAIN COCK	4754
02	P7000012	1239	1	EA AIR TANK, 12" X 15 REV. B	3336
03	P39083	N-20966-G	1	EA VALVE, DOUBLE CHECK	4754
04	P61109	934 199 008 0	1	EA VALVE, SINGLE CHECK, 1/4"F AIR	5771
05	P39076	N-15759-DG	1	EA VALVE, PRESSURE PROTECT	4754
06	P39080	N-13526-H	1	EA VALVE, SINGLE CHECK	4754

RIDE HEIGHT CONTROL REGULATOR ASSEMBLY, U270

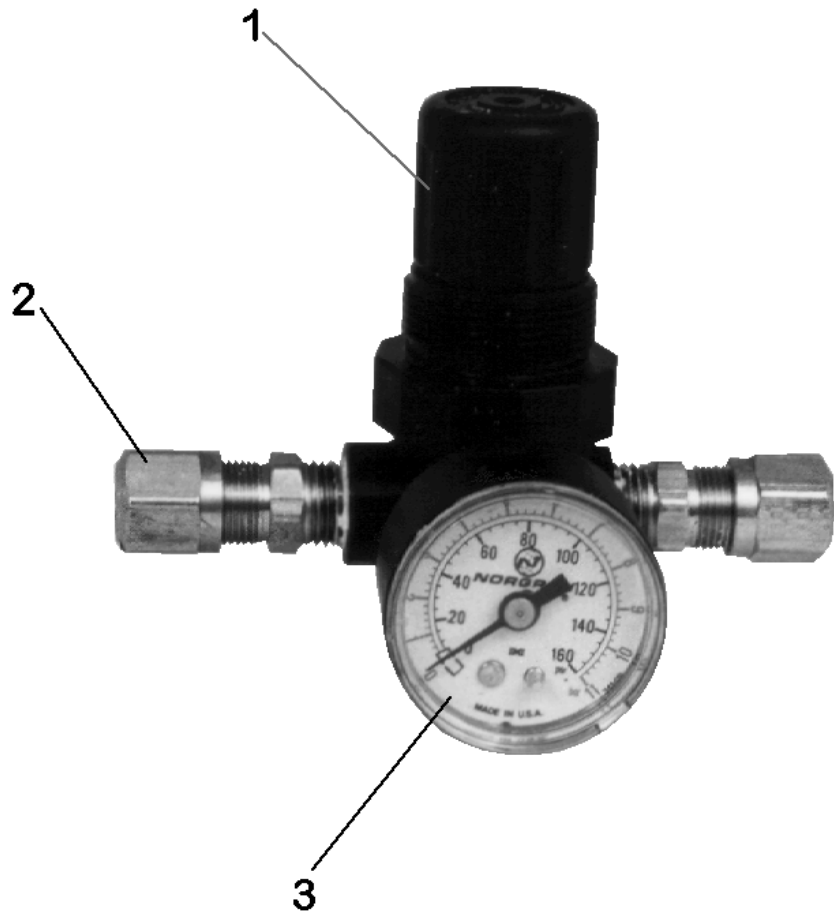


Figure 1.

Regulator Assembly

27P661-1
28-661.PCX
Rev. 05/15/97

27P0661-1

Ride-height Control Regulator Assembly

Item#	Part Number	Qty	UM	Description	Start
	P6228			REGULATOR ASSEMBLY, RIDE-HEIGHT CONTROL	3587
01	P2719	R07-200-RGKA	1 EA	(K1) KIT, AIR REGULATOR W/ GAUGE	3348
02	P7000234		2 EA	FITTING, BRASS ADAPTER 3/8" TUBE X 1/4" MPT	
03	18-013-212		1 EA	GAUGE, REGULATOR, 0-160 LBS (K1)	3587

AIR TANK ASSEMBLY, REAR

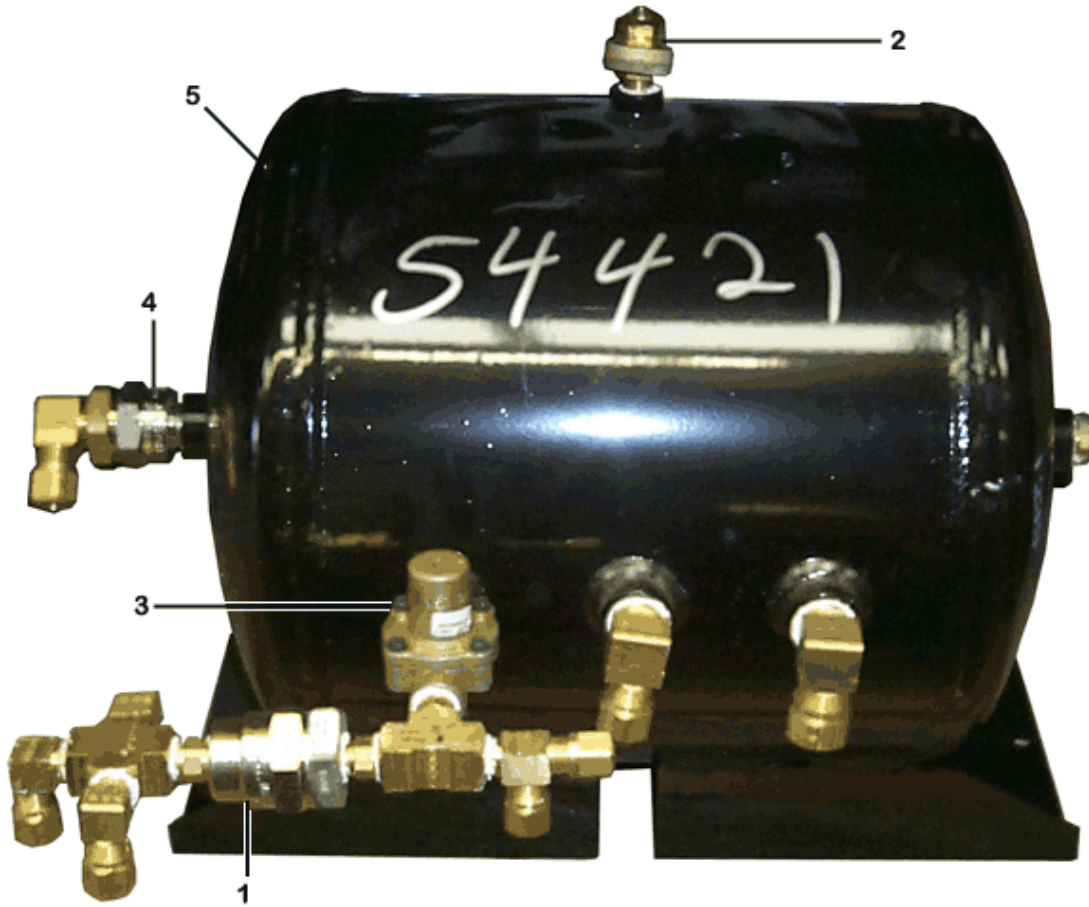


Figure 1.

Start Unit #5615

27P0662

Air Tank Assembly, Rear Air

Item#	Part Number	Qty	UM	Description	Start
	P54421		EA	TANK ASSEMBLY, REAR, AIR	5615
01	P34191	1	EA	VALVE, DOUBLE CHECK, 1/4" FPT	3336
01A	P61109	1	EA	VALVE, SINGLE CHECK, 1/4"F AIR	5771
02	P39081	1	EA	DRAIN COCK	4754
03	P39076	1	EA	VALVE, PRESSURE PROTECT	4754
04	P39080	1	EA	VALVE, SINGLE CHECK	4754
05	P7000012	1	EA	AIR TANK, 12" X 15 REV. B	3336

AIR TANK ASSEMBLY, WET



Figure 1.

27P0664
Group 664 Tank (2001).PCX
Rev. 09/00

Start Unit #5615

27P0664

Air Tank Assembly, Wet

Item#	Part Number	Qty	UM	Description	Start
	P6152		EA	TANK ASSEMBLY, WET AIR	3525
01	P39080	1	EA	VALVE, SINGLE CHECK	4754
02	P7000012	1	EA	AIR TANK, 12" X 15 REV. B	3336
03	P39078	1	EA	VALVE, SAFETY	4754

AIR DRYER ASSEMBLY

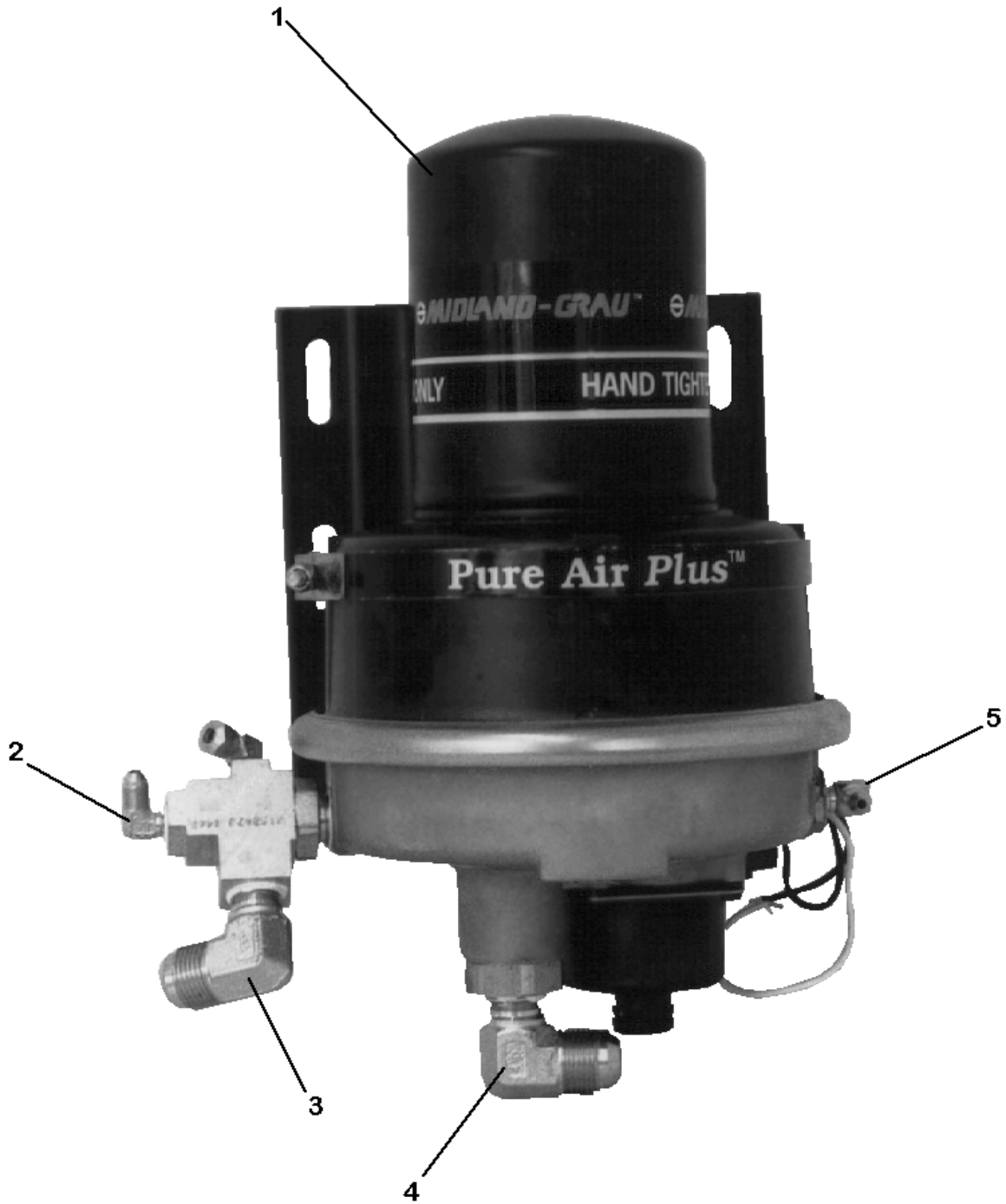


Figure 1.

27P0670

Air Dryer Assembly

Item#	Part Number	Qty	UM	Description	Start
01	P35816	N-4250	1	EA AIR DRYER	4468
02	P7000136		1	EA FITTING, HOSE, 90 DEG 1/8"-27 MPT X 7/16"-20 FLARE	3358
03	P7000132	2024-8-12S	2	EA FITTING, HOSE 1/2"-14 MPT X 1 1/16"-12 FLR	3593
04	P7000132	2024-8-12S	2	EA FITTING, HOSE 1/2"-14 MPT X 1 1/16"-12 FLR	3593
05	P35966	2030-2-4S	1	EA FITTING, TEE, 2030-2-4S 1/8"-27 MPT X 7/16"-20 FLARE	3358

AIR DRYER U270

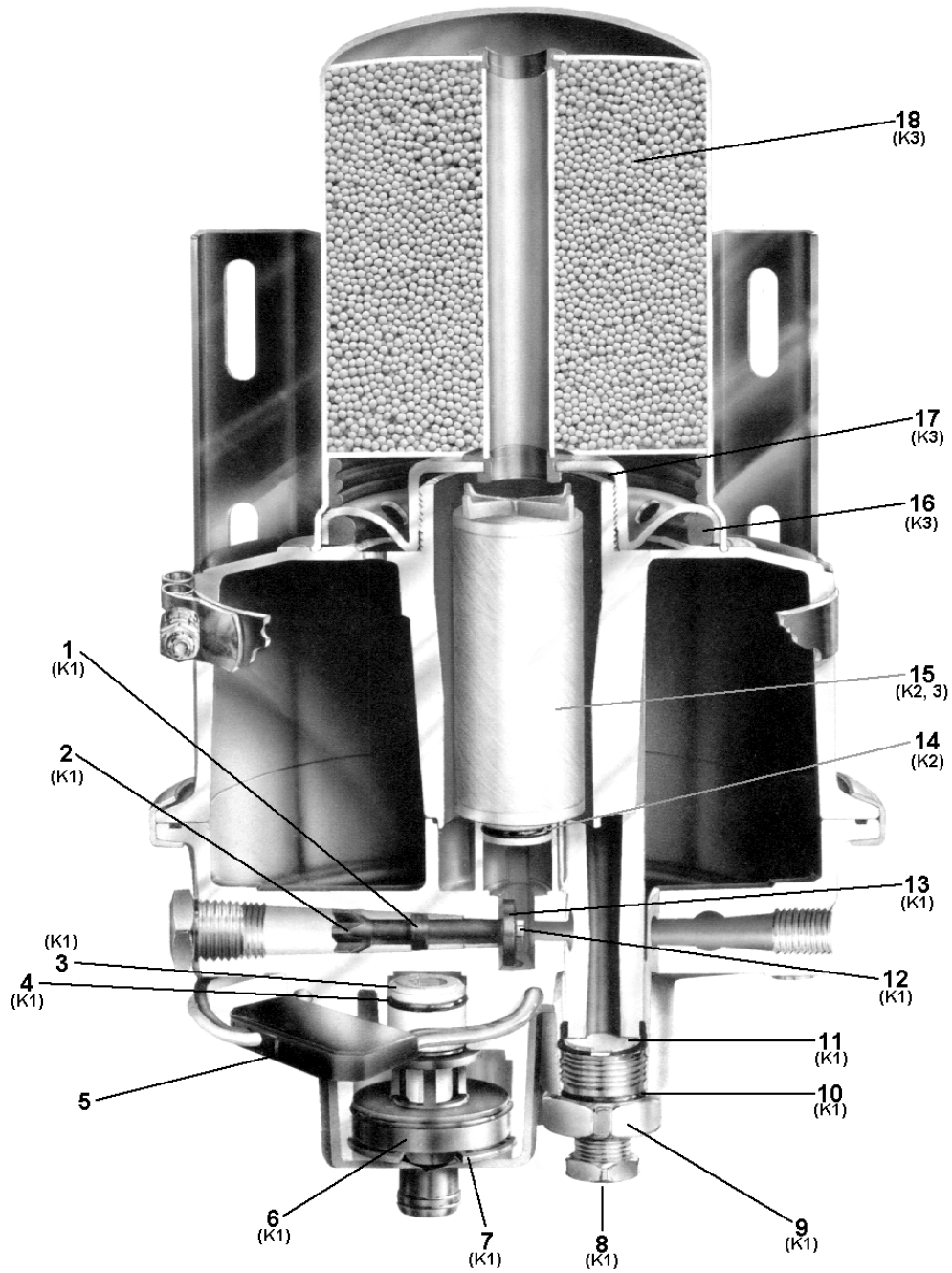


Figure 1.

Air Dryer

27P0672

Air Dryer

Item#	Part Number	Qty	UM	Description	Start
	P35816				
				N-4250	
			EA	AIR DRYER	4468
0A	DQ6020	1	EA	(K1) KIT, MAJOR REPAIR	4468
0B	DQ6021	1	EA	(K2) KIT, COALESCING FILTER	4468
0C	DQ6022	1	EA	(K3) KIT, DESICCANT FILTER	4468

SERVICE BRAKE STATUS ASSEMBLY

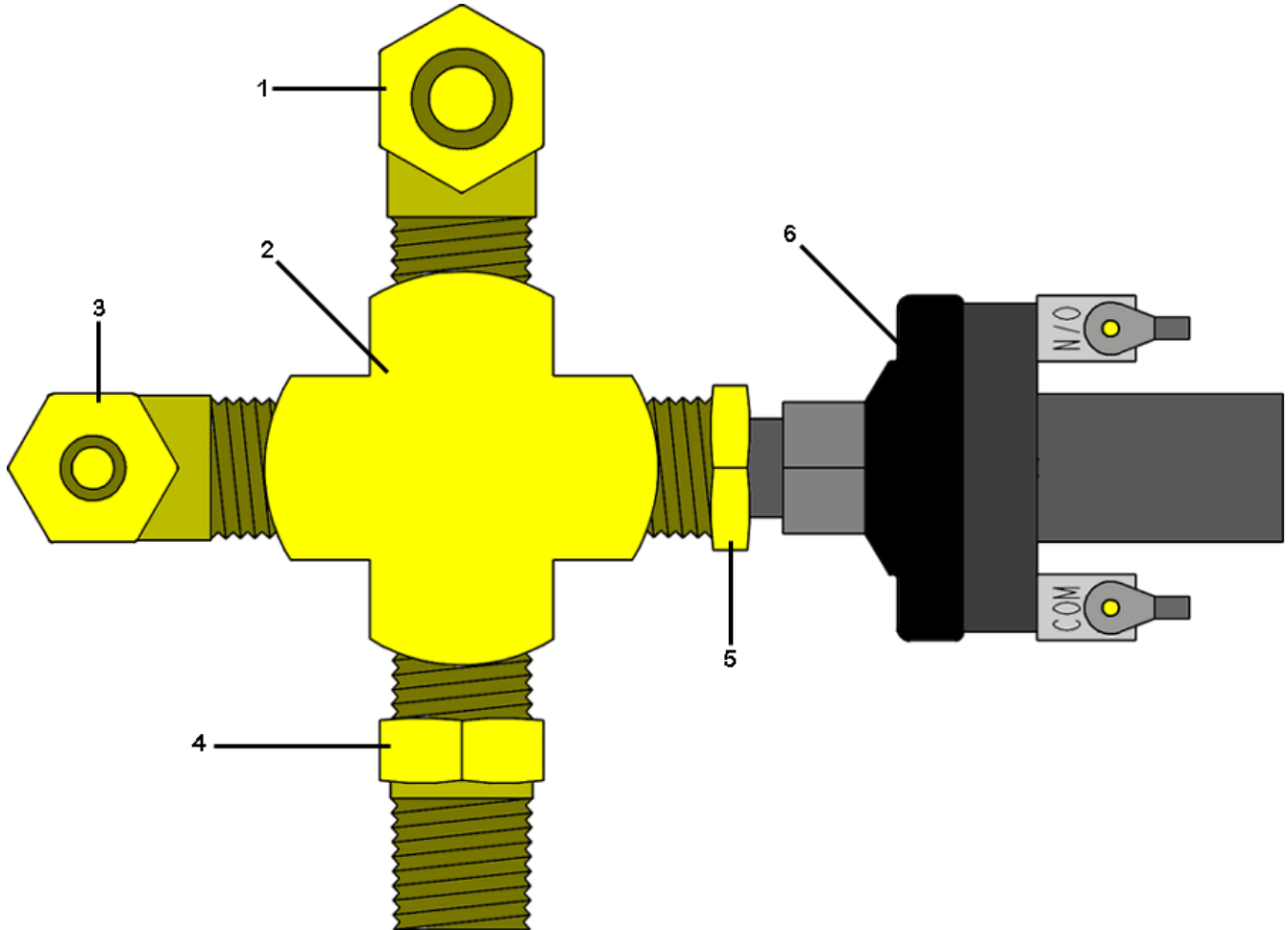


Figure 1.

Start Unit #5865

27P0680

Service Brake Status Assembly

Item#	Part Number	Qty	UM	Description	Start
00	P62462		EA	SERVICE BRAKE STATUS ASSEMBLY	5865
01	P075804	1	EA	FITTING, BRASS ELBOW, 90 DEG 3/8" TUBE X 1/4" MPT	
02	P5314	1		FITTING, BRASS CROSS, 1/4" FPT	
03	P0757050	1	EA	FITTING, ELBOW, 1/4" X 1/4" MPT, 90D	
04	P0775051	1	EA	FITTING, BRASS NIPPLE, 1/4" HEX	5070
05	P7000237	1	EA	FITTING, BUSHING, 1/4" MPT X 1/8" FPT	
06	P7000010	1	EA	SWITCH, OIL PRESSURE	3336



Foretravel, inc.

Motorhomes

**Group 700
Cooling System**

RADIATOR ASSEMBLY

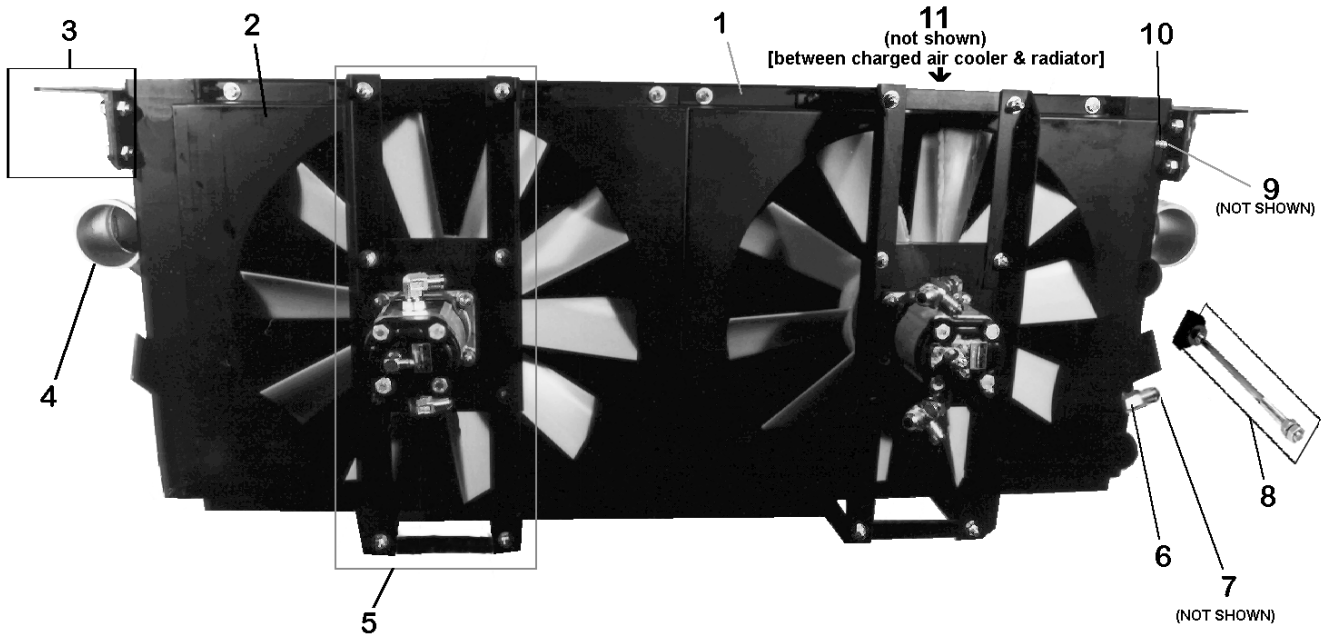


Figure 1.

27P710.fm
710rad.PCX
Rev. 12/99

Start Unit #5644

27P0710

Radiator Assembly

Item#	Part Number	Qty	UM	Description	Start
	P23451			RADIATOR ASSEMBLY, E28 - '99	5387
01	P54396	B2358	1	EA RADIATOR WITH C.A.C., 22" FAN SHROUD	5644
02	534270		2	EA SHROUD, RADIATOR FANS	4558
02A	539124		2	EA SHROUD, RADIATOR FANS, 22"	5644
03	NOTE712			SEE GROUP 712: RADIATOR SUPPORT	
04	910113		1	EA COOLER, CHARGED AIR	4558
05	NOTE730			SEE GROUP 730: HYDRAULIC FAN ASSY	
06	P7000189	68HB-16-12	1	EA FITTING, BRASS NIPPLE 3/4" MPT X 1" HOSE BARB	3336
07	P7000447	4230-0150	48	FT HOSE, HEATER, 1 BULK	3344
08	NOTE711			SEE GROUP 711: RADIATOR SUPPORT	
09	P3331		1	EA HOSE, #05, 54"	4224
10	P7000140	2023-4-5S	1	EA FITTING, HOSE, 45 DEG ELBOW 1/4"-18 MPT X 1/2"-20 FLARE	
11	P37975	10924-S1	1	EA COOLER, HYDRAULIC FAN SYSTEM	4470

LOWER RADIATOR SUPPORT BRACKET U270



Figure 1.

27P711
R-SUPBKT.PCX
Rev. 03-96

Radiator Support Bracket

27P0711

Lower Radiator Support Assembly

Item#	Part Number	Qty	UM	Description	Start
01	P7000249	2	EA	STUD, DOUBLE END, 1/2"-13 X 18"	
02	P05000	8	EA	NUT, 1/2" - 13, HEX	3321
03	P7000108	4	EA	WASHER, LOCK, 1/2" GR 8	
04	P33052	2	EA	BRACKET, RADIATOR, SMALL	3950
05	P7000049	2	EA	MOUNT, RADIATOR, RUBBER	3336
06	P7000050	4	EA	WASHER, TAIL 1.5" OD X .52" ID X .125" W	

RADIATOR SUPPORT, MAIN

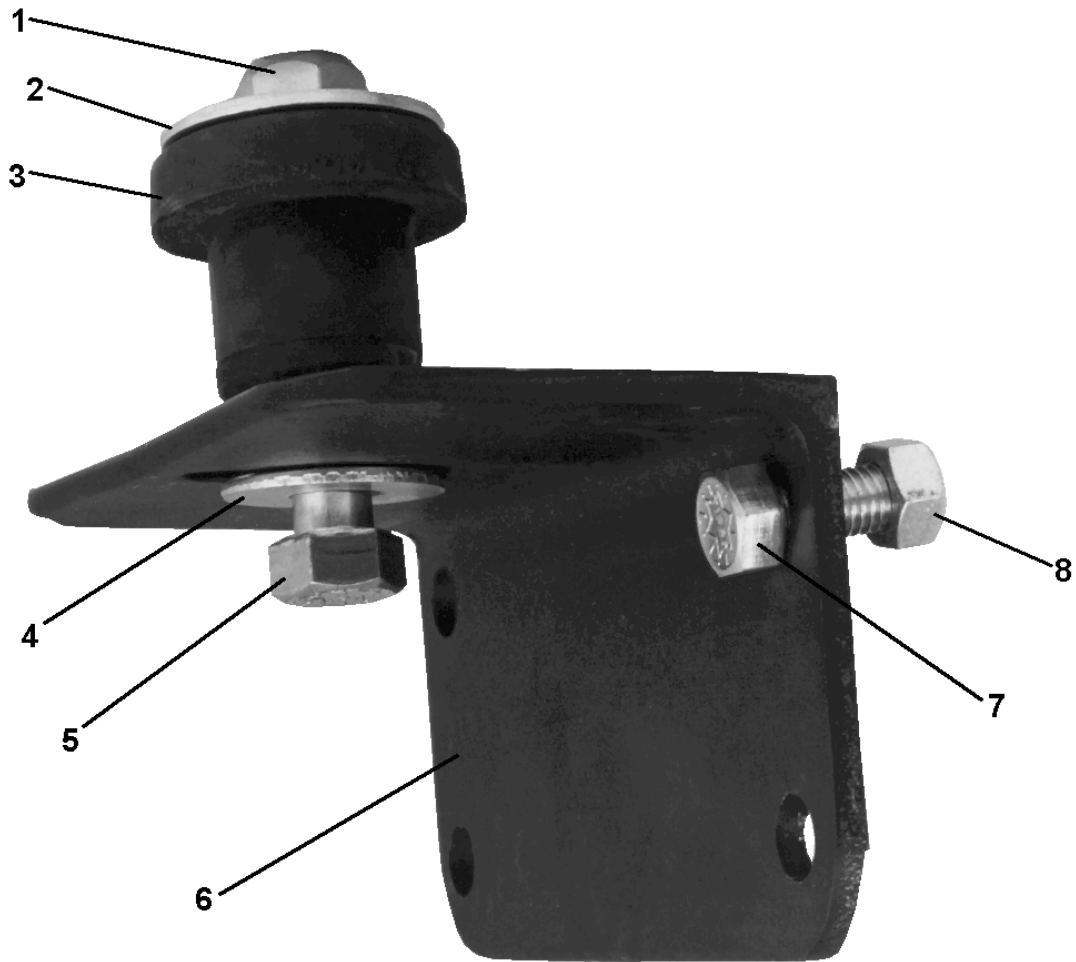


Figure 1.

27P712
24-30Trm.PCX
Rev. 07/98

Radiator Support

27P0712

Radiator Mounting Assembly, Main

Item#	Part Number	Qty	UM	Description	Start
01	P7000095	84313	1	EA NUT, UNITORQUE LOCK, 5/8"-18	
02	P7000048	J-2049-66	1	EA WASHER, TAIL 2.5" OD X .64" ID X .125" W	
03	P7000047	CB-1123-2	1	EA MOUNT, RADIATOR, RUBBER, 1 5/8	3336
04	P7000048	J-2049-66	1	EA WASHER, TAIL 2.5" OD X .64" ID X .125" W	
05	P7000083	65389	1	EA BOLT, 5/8"-18 X 3 1/2" GR8	
06	P35807	A5089	1	EA BRACKET, RADIATOR, FRONT MOUNT	4558
07	P7000292	65250	4	EA BOLT, 1/2"-13 X 1 1/4" GR8	
08	P7000099	84308	4	EA NUT, UNITORQUE LOCK, 1/2"-13	

COOLANT PLUMBING

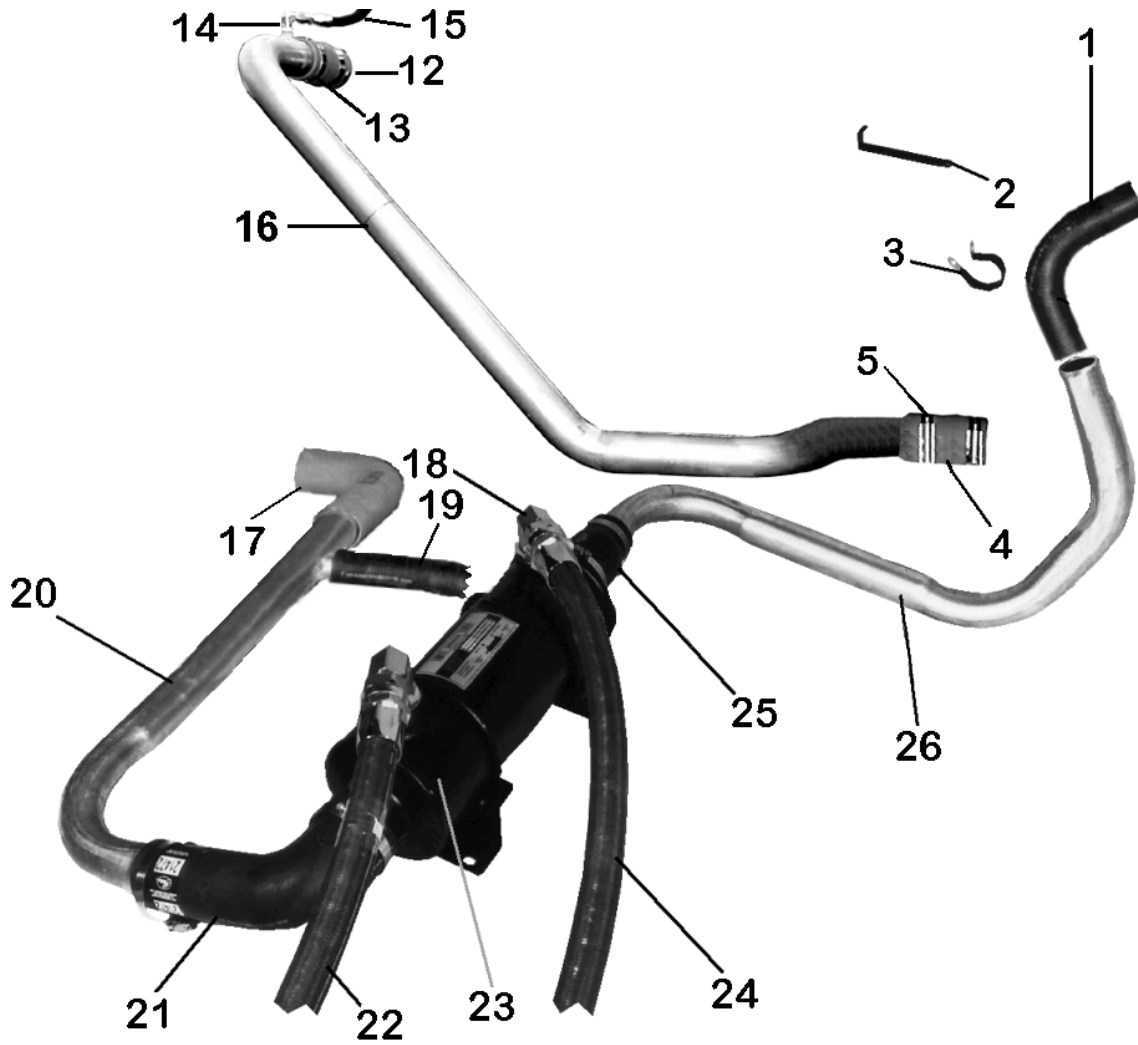


Figure 1.

Start Unit #5530

27P0720

Radiator Coolant Plumbing Assembly, Cummins

Item#	Part Number	Qty	UM	Description	Start
01	P33614	225-M2	1	EA HOSE, RADIATOR, UPPER 2 1/4" ID X 90 DEGREE	4070
02	P33093	A4471	1	EA BRACKET, PIPE SUPPORT	3967
03	P6618	9000729-15	1	EA CLAMP, SUPPORT, 2 3/4"	
04	P37548	23562	1	EA HOSE, COOLANT, RUBBER REDUCER 4 1/2" X 2 1/2"	4558
05	P33343	CT-300L	8	EA CLAMP, 2 1/4 CONSTANT TORQUE	
12	P35535		1	EA HOSE, COOLANT, SILICONE 2 1/4" ID X 3" LONG	4602
13	P33343	CT-300L	8	EA CLAMP, 2 1/4 CONSTANT TORQUE	
14	P7000140	2023-4-5S	1	EA FITTING, HOSE, 45 DEG ELBOW 1/4"-18 MPT X 1/2"-20 FLARE	
15	P3421		1	EA HOSE, #05, 34 TANK TO ENGINE	3587
16	P30011	A7079	1	EA RADIATOR PIPE, UPPER COOLANT W/ FAN CONTROL, 8.3	5492
17	P35980	250-M1	1	EA HOSE, COOLANT, 2 1/2" ID X 90 DEG	4537
18	P37288	2062-20-20S	2	EA FITTING, HOSE, 90 DEG ELBOW 1 5/8"-12 BOS X 1 5/16"-12 FLR	4558
19	P06160	4230-0135	7	FT HOSE, HEATER, 5/8 BULK	
20	P30041	A7286	1	EA RADIATOR PIPE, LOWER RADIATOR TO COOLER	5387
21	P37298	21472	1	EA HOSE, COOLANT, 90 DEG ELBOW (CUT TO FIT)	4558
22	P3356		1	EA HOSE, #20, 44 RETURN	4554
23	29506669	3-1259B	1	EA COOLER, TRANSMISSION FLUID	4548
24	P6585		1	EA HOSE, #20, 54 PRESSURE	3672
25	P37267	21400	1	EA HOSE, COOLANT, RUBBER REDUCER	4537
26	P30042	A7287	1	EA RADIATOR PIPE, LOWER COOLER TO ENGINE	5387

Electronic Fan Control



V04 Pictures\group 0700\Group-725-Control-Revised-(6-28-04).jpg

27P0725

Electronic Fan Control

Item#	Part Number	Qty	UM	Description	Start
01	P23458	1090273	1	EA CONTROL ASSEMBLY, FAN DRIVE, 12 VDC / 3000 PSI	5490
02	P23460	1090174	1	EA SENSOR, ANALOG AIR TEMPERATUR, FAN CONTROL	5490

HYDRAULIC FAN ASSEMBLY

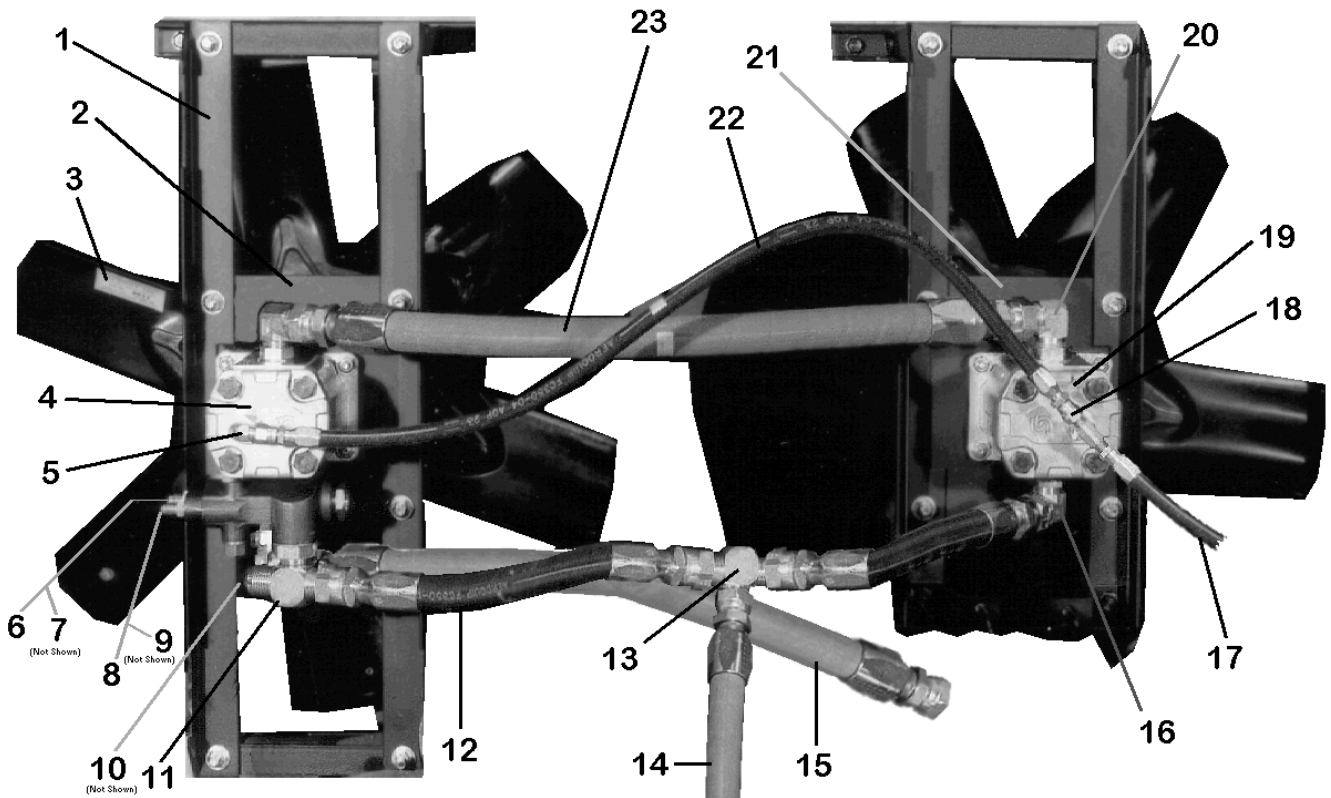


Figure 1.

27P730
Group 730-E28.PCX
Rev. 05/98

Hydraulic Fans

27P0730

Hydraulic Fan Motor Assembly

Item#	Part Number	Qty	UM	Description	Start	
01	P34844	A5052	4	EA	SUPPORT, FAN MOTOR	4493
02	P34416		2	EA	PLATE, FAN MOTOR BRACKET	4443
03	P54397	4621	2	EA	FAN BLADE, RADIATOR, 22" SUCKER	5644
03A	P35988	3035776	2	EA	SPACER, FAN BLADE, 2"	4618
03C	P37974	A5424	2	EA	HUB, FAN BLADE, STEEL	4590
04	P36584	B5511-00865183	1	EA	MOTOR, HYD. FAN W/THERMO VALVE	4590
05	P34357	2024-4-5S	1	EA	FITTING, HOSE, 90 DEG ELBOW	
06	P37980	202702-5-5S	1	EA	FITTING, HOSE, NIPPLE	4606
07	P7018		1	EA	HOSE, #05, 84"	4590
08	P37987	202702-4-4S	1	EA	FITTING, HOSE, NIPPLE	4590
09	P3760		1	EA	HOSE, #04, 84"	3593
10	P2180		1	EA	HOSE, #12, 42"	5387
11	P37981	203003-12-12S	1	EA	FITTING, HOSE TEE	4590
12	P2179		2	EA	HOSE, #12, 7 1/2" HIPAC	5387
13	P37988	2033-8-12-12S	1	EA	FITTING, HOSE TEE, 12 X 12 X 8	5387
14	P3419		1	EA	HOSE, #08, 41', POWER STEERING RETURN, 40' COACH	3605
15	P30046		1	EA	HOSE, #12, 58" HIPAC	5387
16	P7000130	2062-12-12S	4	EA	FITTING,HOSE,90 DEG EL,O-RING	4558
17	P3760		1	EA	HOSE, #04, 84"	3593
18	P33345	2030-4-4S	1	EA	FITTING, HOSE TEE	4072
19	P36583	B12121-00800	1	EA	MOTOR, HYDRAULIC FAN SYSTEM	4590
20	P7000130	2062-12-12S	4	EA	FITTING,HOSE,90 DEG EL,O-RING	4558
21	P34416		2	EA	PLATE, FAN MOTOR BRACKET	4443
22	P3245		1	EA	HOSE, #04, 28"	4224
23	P7020		1	EA	HOSE, #12, 20"	4590

FUEL COOLER ASSEMBLY, U270

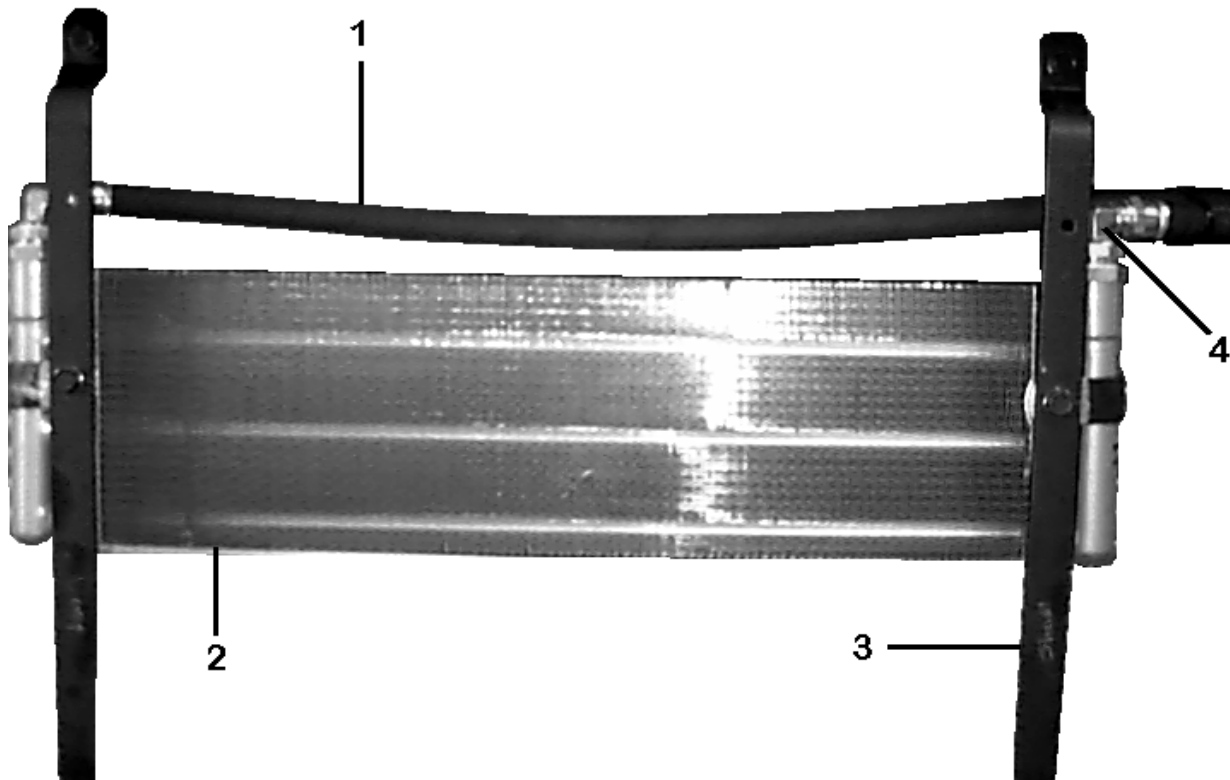


Figure 1.

Fuel Cooler

27P0750

Fuel Cooler Assembly

Item#	Part Number	Qty	UM	Description	Start
	P30058			FUEL COOLER ASSEMBLY	5365
01	P2204	2	EA	HOSE, O8, 48", FUEL RETURN, COOLER	5438
02	P30054	1	EA	COOLER, FUEL	5365
03	P30057	2	EA	BRACKET, FUEL COOLER MOUNT	5365
03A	P55119	2	EA	BRACKET, FUEL COOLER MOUNT	5582
04	P7000122	2	EA	FITTING, 90 DEG EL, 1/2"-14X1/2 2003-8-8B	3336

COOLANT RESERVOIR ASSEMBLY

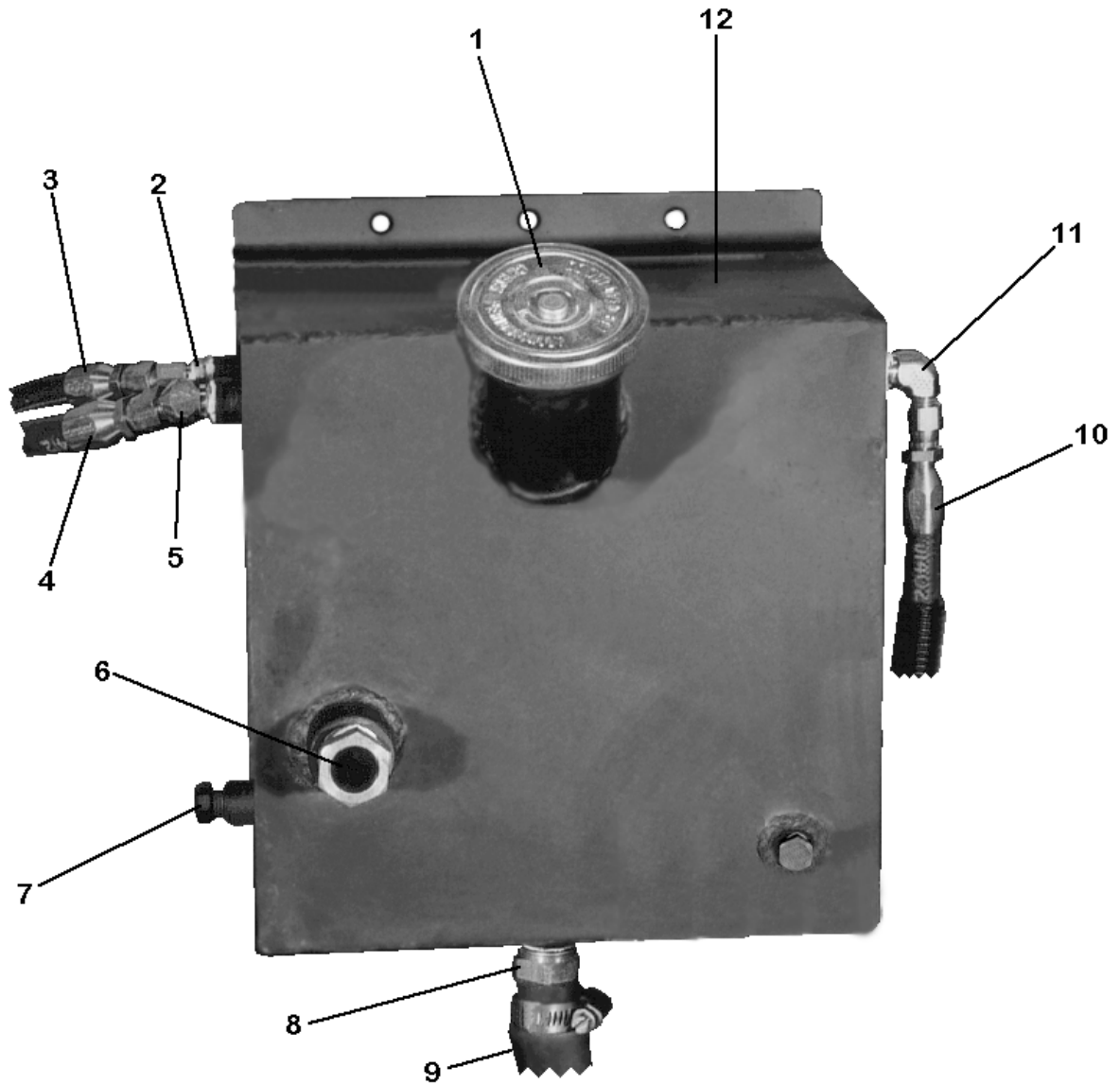


Figure 1.

27P0760

Coolant Reservoir Assembly

Item#	Part Number	Qty	UM	Description	Start
01	ABX-2952	1	EA	CAP, COOLANT EXPANSION RESERVOIR	4222
02	P7000237	3220X4X2	1	EA FITTING,BUSHING,1/4MPT X 1/8FP	
02A	P31510	2023-2-4S	1	EA FITTING, HOSE ADAPTER 1/4" TUBE X 1/8" MPT	3893
03	P3404		1	EA HOSE, 04, 39"	3863
04	P3421		1	EA HOSE, #05, 34 TANK TO ENGINE	3587
05	P7000140	2023-4-5S	1	EA FITTING, HOSE, 45 DEG ELBOW 1/4"-18 MPT X 1/2"-20 FLARE	
06	P-1030-4A		1	EA SIGHT GLASS, COOLANT EXPANSION RESERVOIR	4222
07	121C		2	EA PLUG, BRASS, 1/4" HEX HEAD	3321
08	P7000189	68HB-16-12	1	EA FITTING, BRASS NIPPLE 3/4" MPT X 1" HOSE BARB	3336
09	P7000447	4230-0150	48	FT HOSE, HEATER, 1 BULK	3344
10	P3331		1	EA HOSE, #05, 54"	4224
11	P34357	2024-4-5S	1	EA FITTING, HOSE, 90 DEG ELBOW	
12	P30073	A7425	1	EA RESERVOIR, COOLANT SURGE TANK	5445

INVERTER COOLING COMPONENTS

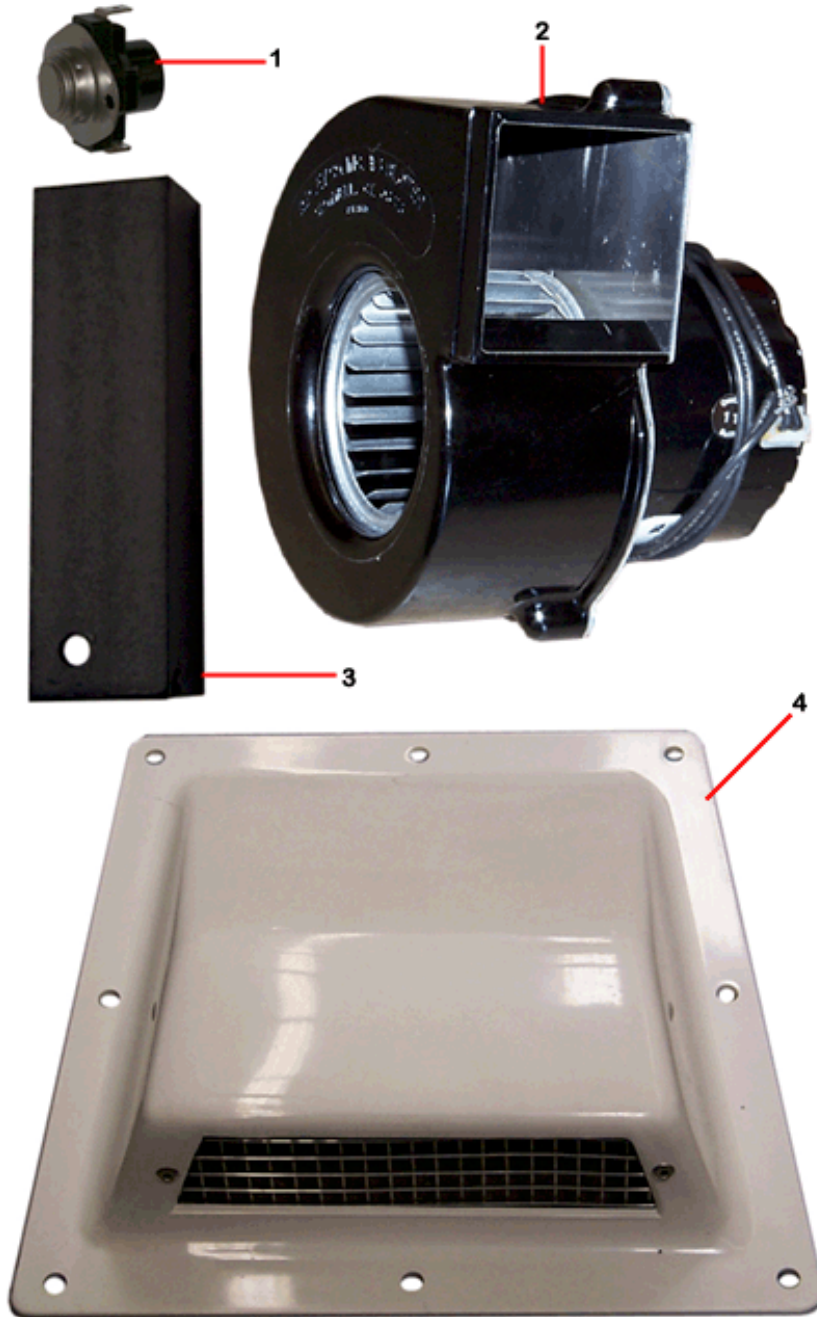


Figure 1.

27P0770

Inverter Cooling Components

Item#	Part Number	Qty	UM	Description	Start	
01	P60632	4E116	1	EA	THERMOSTAT, BLOWER MOTOR, INVERTER COMPARTMENT, SPST	5757
02	P60631	1699K15	1	EA	BLOWER MOTOR, INVERTER COMPARTMENT, 77 CFM/3000 RPM/44 WATT	5757
03	P60629	A8024	1	EA	BRACKET, BLOWER MOTOR MOUNT, INVERTER COMPARTMENT	5757
04	P60634		1	EA	COVER, BLOWER MOTOR, INVERTER COMPARTMENT	5757

GENERATOR COOLING SYSTEM

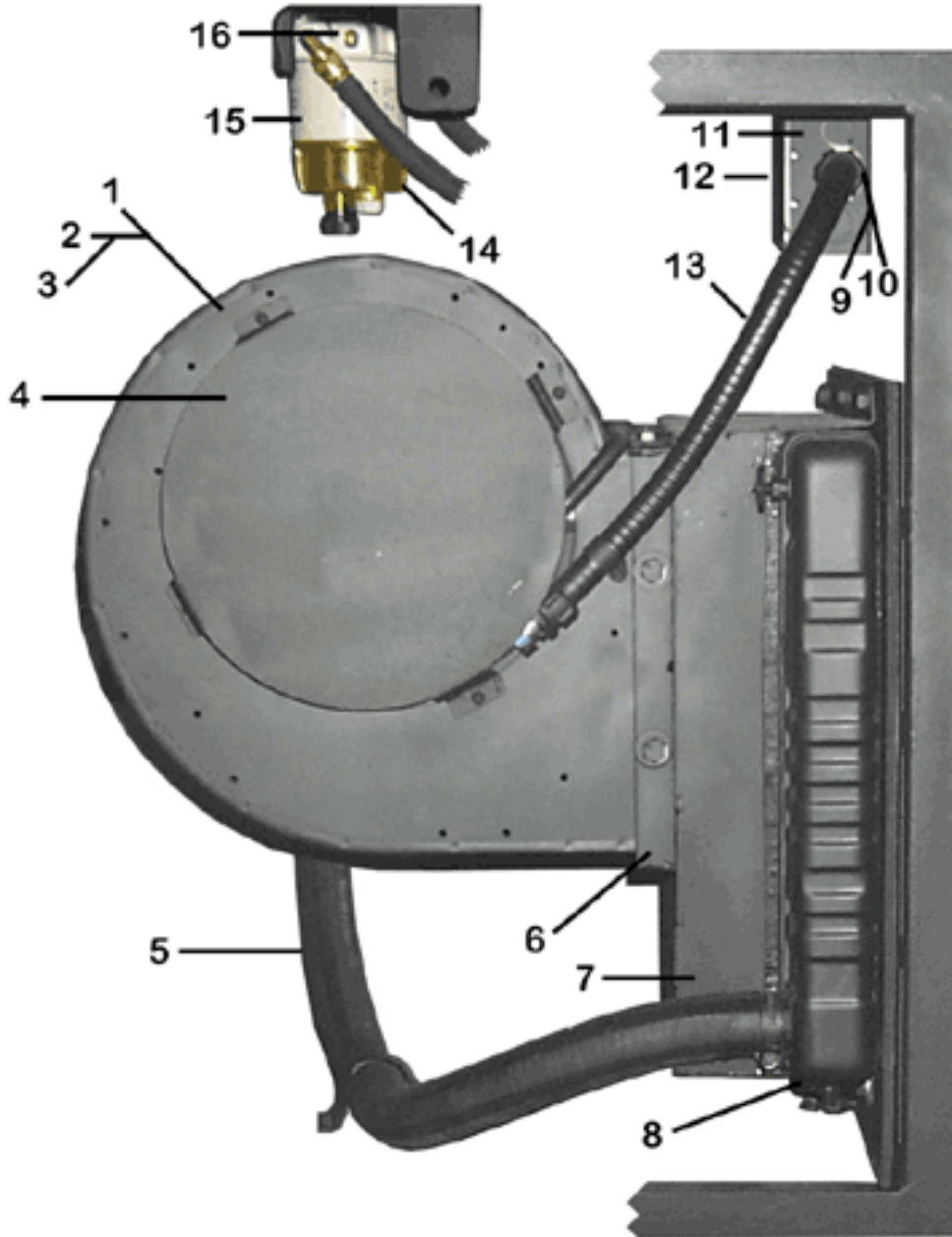


Figure 1.

Start Unit #5652

27P0780

Generator Cooling System

Item#	Part Number	Qty	UM	Description	Start
01	P35720	3M898	1	EA BLOWER MOTOR, 1/2 HP, GENERATOR	4558
02	P35722	6X658	1	EA CAPACITOR (RUN), BLOWER MOTOR	4558
03	P35723	4C590	1	EA BLOWER, DIRECT DRIVE, GENERATOR	4558
04	P39166	A5759	1	EA COVER, BLOWER FAN, GENERATOR	4558
05	NOTE785			SEE GROUP 785: GENERATOR COOLANT HOSES	
06	P39159	A5692	1	EA ADAPTER, 4 BLOWER TO SHROUD	4558
07	P37558	A5356	1	EA SHROUD, GENERATOR FAN/RADIATOR	4558
08	13XX4FT		1	EA RADIATOR, REMOTE MOUNT, GENSET	4558
08A	SP-29		1	EA CAP, RADIATOR, GENERATOR, REMOTE MOUNT, 13 LBS.	4558
09	P0414112	T&B #222	2	EA BUSHING, 1/2" SEALTITE CONDUIT	3321
10	P0414111	T&B #5232	2	EA CONNECTOR, SEALTITE CONDUIT	3321
11	P03931	SQ232	1	EA JUNCTION BOX, 4" SQUARE	3321
12	P03936	SQ753	1	EA COVER, JUNCTION BOX, 4" SQUARE	3321
13	P040501		14	FT CONDUIT, FLEXIBLE, 1/2" SEALTITE	3321
14	RK10215		1	EA BOWL / DRAIN / PLUG ASSEMBLY, FUEL FILTER	5625
15	R12T		1	EA FILTER, FUEL, 10 MICRON, GENSET / AQUAHOT	5625
16	RK10214		1	EA BASE, FUEL FILTER, GENSET/AQUA-HOT, 1/4" NPT PORTS	5625

GENERATOR EXHAUST SYSTEM

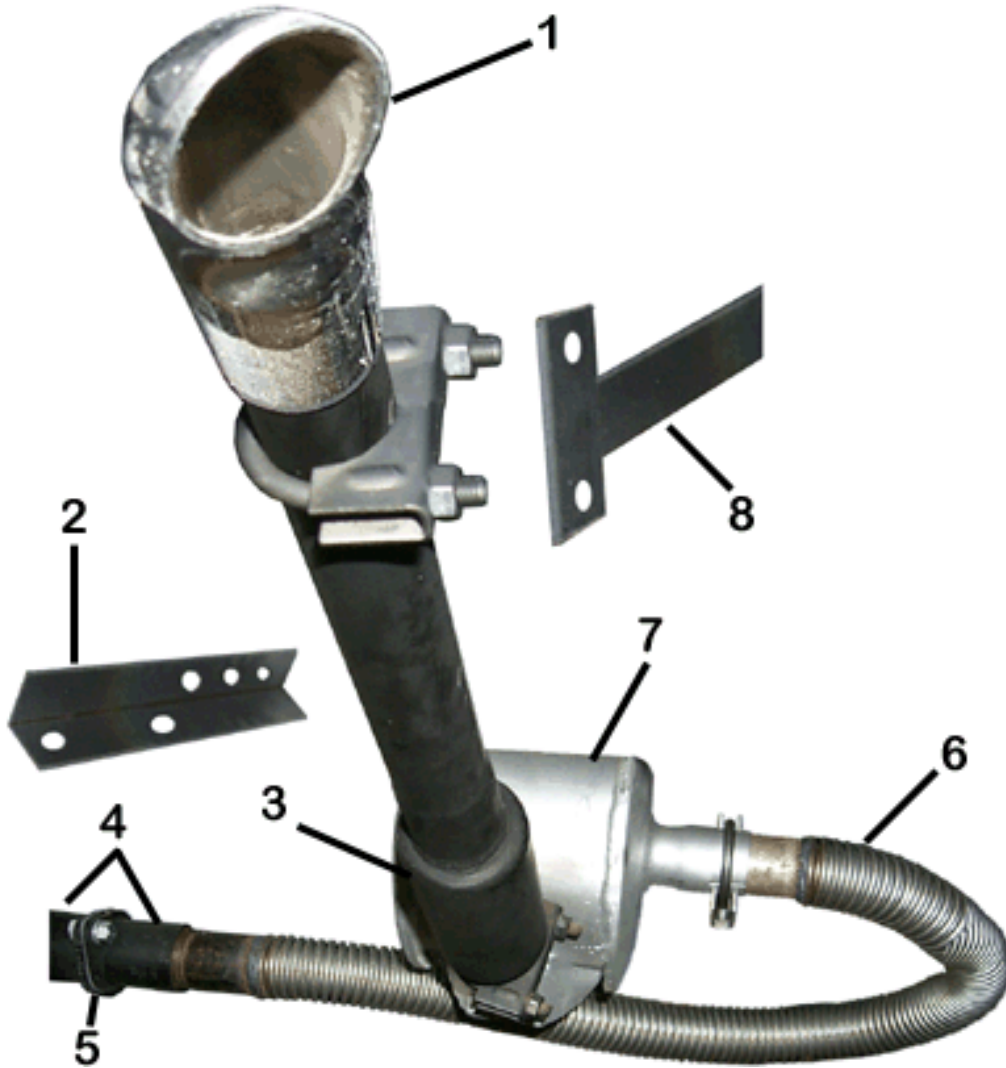


Figure 1.

Start Unit #5625

27P0783

Generator Exhaust System

Item#	Part Number	Qty	UM	Description	Start
01	P24249	1	EA	CHROME TIP, EXHAUST, 1 1/2" X 8", GENERATOR	4725
02	P56253	2	EA	BRACKET, MOUNTING, COWL SILENCER, GENERATOR	5625
03	P56220	1	EA	MUFFLER, GENERATOR EXHAUST, 1 1/2"ID X 1 1/2"OD	5625
04	P56261	2	EA	COUPLING, GENERATOR EXHAUST FLANGE	5625
05	P56248	1	EA	GASKET, GENERATOR EXHAUST FLANGE, SPECIAL	5625
06	P56704	1	EA	FLEX PIPE, GENERATOR EXHAUST, FLANGE TO COWL SILENCER	5625
07	P56246	1	EA	COWL SILENCER ASSEMBLY, GENERATOR	5625
08	P56254	2	EA	BRACKET, MOUNTING, GENERATOR EXHAUST PIPE	5625

GENERATOR COOLANT HOSES

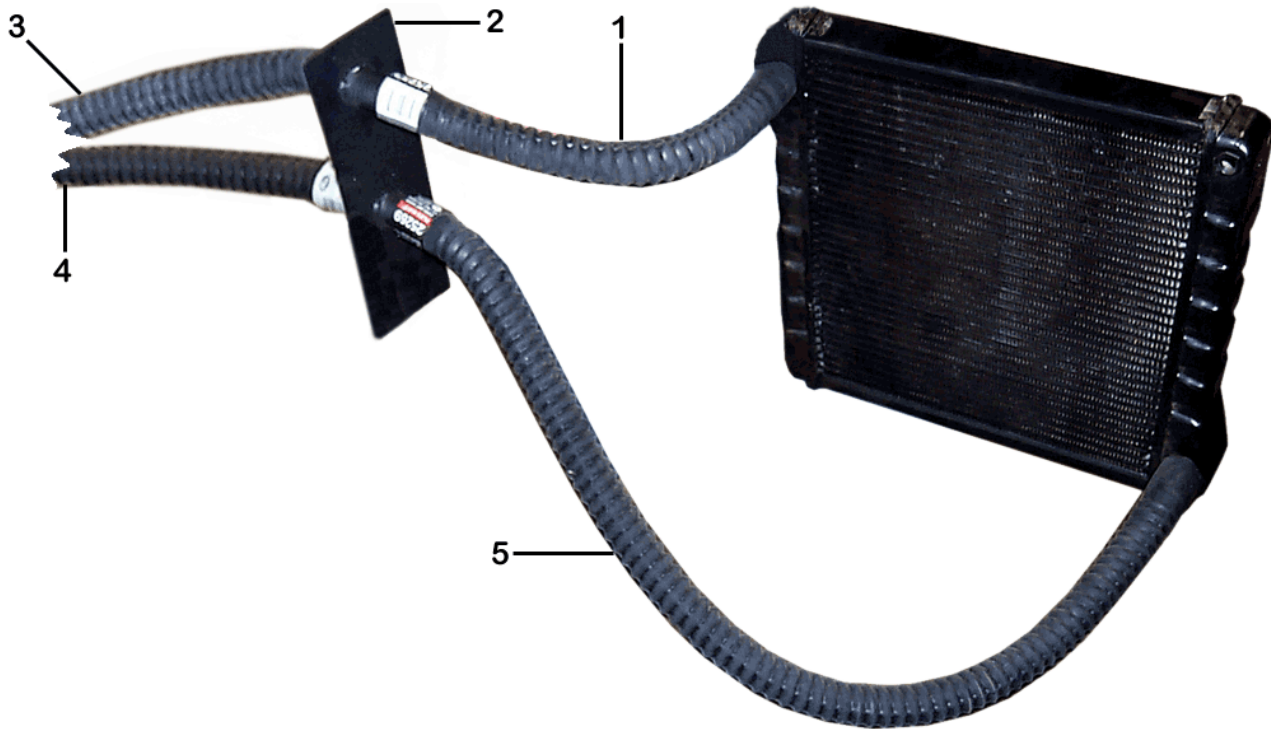


Figure 1.

Start Unit #5652

27P0785

Generator Coolant Hoses

Item#	Part Number	Qty	UM	Description	Start
01	P56720	25253	1	EA HOSE, GENERATOR COOLANT, 17" X 1.25" DIA	5103
02	P56740	A7761	1	EA BULKHEAD ASSEMBLY, GENERATOR COOLANT HOSE	5103
03	P56723	25262	1	EA HOSE, GENERATOR COOLANT, 30" X 1.25" DIA	5103
04	P56722	25260	1	EA HOSE, GENERATOR COOLANT, 26 1/2" X 1.25" DIA	5103
05	P56724	25269	1	EA HOSE, GENERATOR COOLANT, 41" X 1.25" DIA	5103



Foretravel, inc.

Motorhomes

**Group 800
Air Conditioning
System**

PLENUM ASSEMBLY, A/C

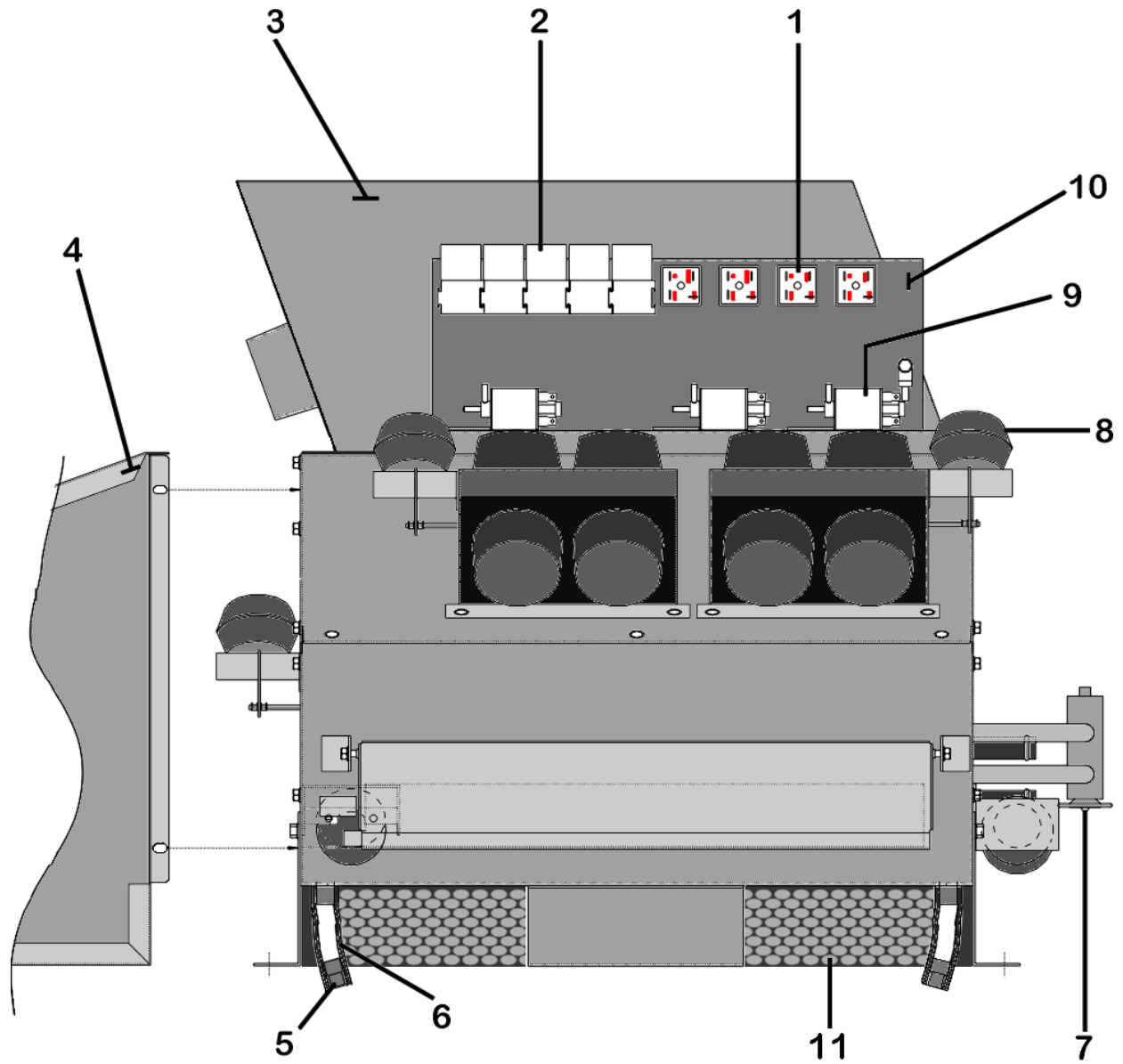


Figure 1.

Start Unit #5786

27P0815

Plenum Assembly, Air Conditioning

Item#	Part Number	Qty	UM	Description	Start
	P57577				
					D0665
			EA	EVAPORATOR ASSEMBLY, DASH AC / HEAT (NO AQUA-HOT)	5786
01	3700-112	5	EA	DIODE, 25 AMP	5388
02	3700-111	1	EA	DIODE, 25 AMP	5757
03	0069-K0461-03	1	EA	DEFROST CHUTE ASSEMBLY	5388
04	0080-0031	1	EA	FRESH AIR INTAKE ASSEMBLY	5388
05	1770-132	2	EA	AIR RESTRICTOR, DRAIN HOSE	5388
06	2200-005	2	EA	HOSE, DRAIN, A/C	5388
07	3620-013	1	EA	VALVE, EXPANSION, A/C	5757
08	1700-127	1	EA	ACTUATOR, VACUUM, A/C, 2-POSITION	5388
08A	1700-231	1	EA	ACTUATOR, VACUUM, A/C, 3-POSITION	5757
09	3700-066	3	EA	SOLENOID, VACUUM, 12V, A/C	5388
10	0069-0047	1	EA	PANEL ASSEMBLY, A/C RELAY	5757
11	ND066744	1	EA	SCREEN, FRESH AIR INTAKE, A/C	5757
12	050023		EA	SPRING CLIP, ARM TO SERVO, A/C (NOT SHOWN)	5388

COIL ASSEMBLY, A/C

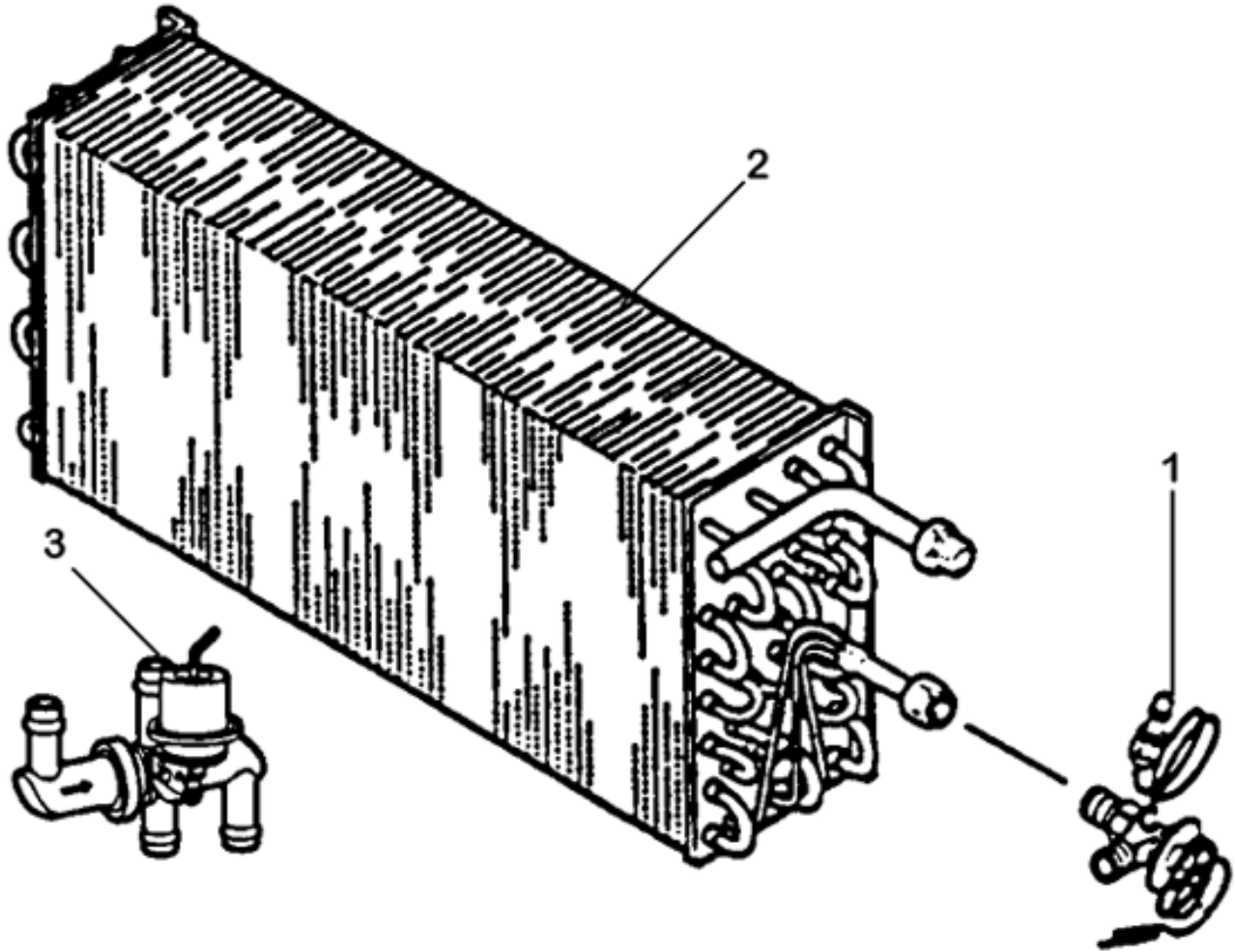


Figure 1.

Start Unit #5757

27P0825

Evaporator Assembly, Air Conditioning

Item#	Part Number	Qty	UM	Description	Start
01	3620-013	1	EA	VALVE, EXPANSION, A/C	5757
02	2300-130	1	EA	COIL, A/C and HEAT	5757
03	2610-032	1	EA	VALVE, WATER CONTROL, ELECTRIC, 5/8" HOSE	5388
04	2610-032	1	EA	VALVE, WATER CONTROL, ELECTRIC, 5/8" HOSE	5388

PANEL ASSEMBLY, A/C

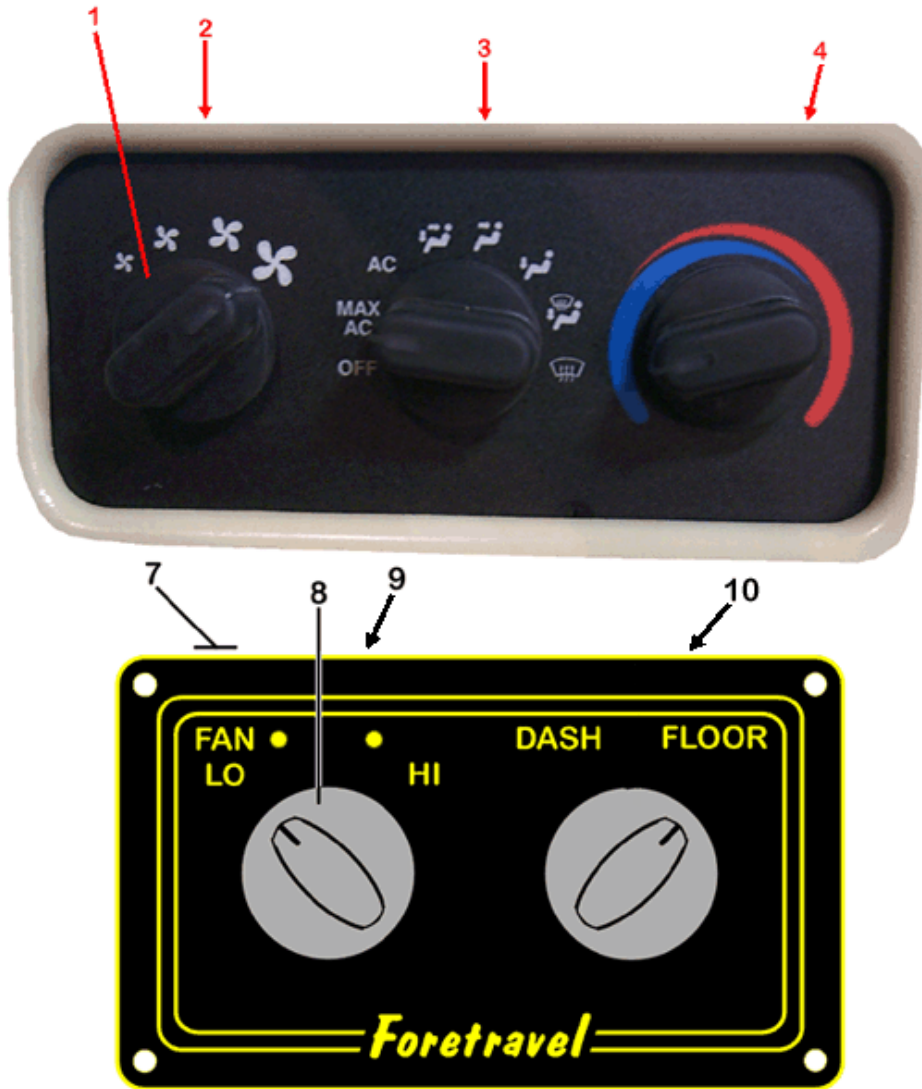


Figure 1.

Start Unit #5757

27P0835

Accessory Panel, Air Conditioning

Item#	Part Number	Qty	UM	Description	Start
01	4237047KNOB	3	EA	KNOB, CONTROL, A/C	5387
02	2400-043	1	EA	SWITCH, ROTARY, 3-POSITION, A/C	5757
03	2400-046	1	EA	SWITCH, MODE, A/C AND DEFROST LEVEL	5757
04	2400-045	1	EA	SWITCH, WATER VALVE, TEMPERATURE	5757
07	P28574	1	EA	PANEL, PASSENGER A/C CONTROL	5387
07A	P61918	1	EA	PANEL, PASSENGER A/C CONTROL	5816
08	1500-029	2	EA	KNOB, CONTROL, A/C	5388
09	2400-043	2	EA	SWITCH, ROTARY, 3-POSITION, A/C	5757
10	2400-043	2	EA	SWITCH, ROTARY, 3-POSITION, A/C	5757

CONDENSER ASSEMBLY

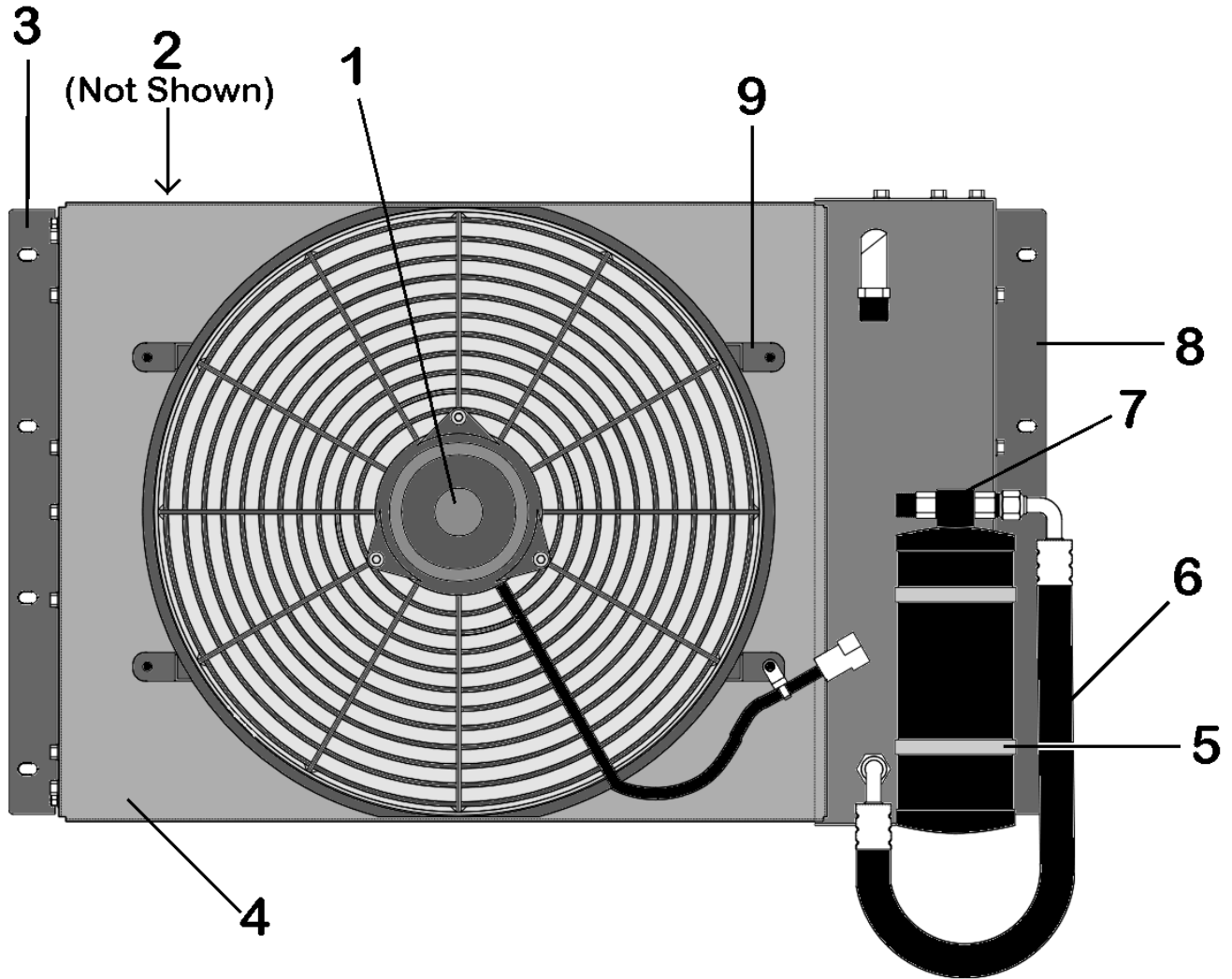


Figure 1.

SGM Condenser

27P0845

Condenser Kit Assembly, R134A

Item#	Part Number	Qty	UM	Description	Start
	P28594			CONDENSER ASSEMBLY, '99 A/C	5388
01	0070-0154	1	EA	FAN ASSEMBLY, CONDENSER	5388
02	2350-090	1	EA	COIL, CONDENSER	5388
02A	PC046105	1	EA	BRACKET, COIL MOUNT, LH	5388
02B	PC046103	1	EA	BRACKET, COIL MOUNT, RH	5388
03	PC046101	1	EA	BRACKET, CONDENSER MOUNT, LH	5388
04	PC072102	1	EA	SHROUD, CONDENSER	5388
05	3040-031	2	EA	CLAMP, RECEIVER DRYER MOUNT	5388
06	0064-0288	1	EA	HOSE, RECEIVER DRYER, LIQUID	5388
07	3520-016	1	EA	RECEIVER DRYER, 12 CU/I DESSICANT	5388
08	PC046102	1	EA	BRACKET, CONDENSER MOUNT, RH	5388
09	1700-157	4	EA	MOUNTING TAB, CONDENSER FAN	5388

A/C RELATED PARTS

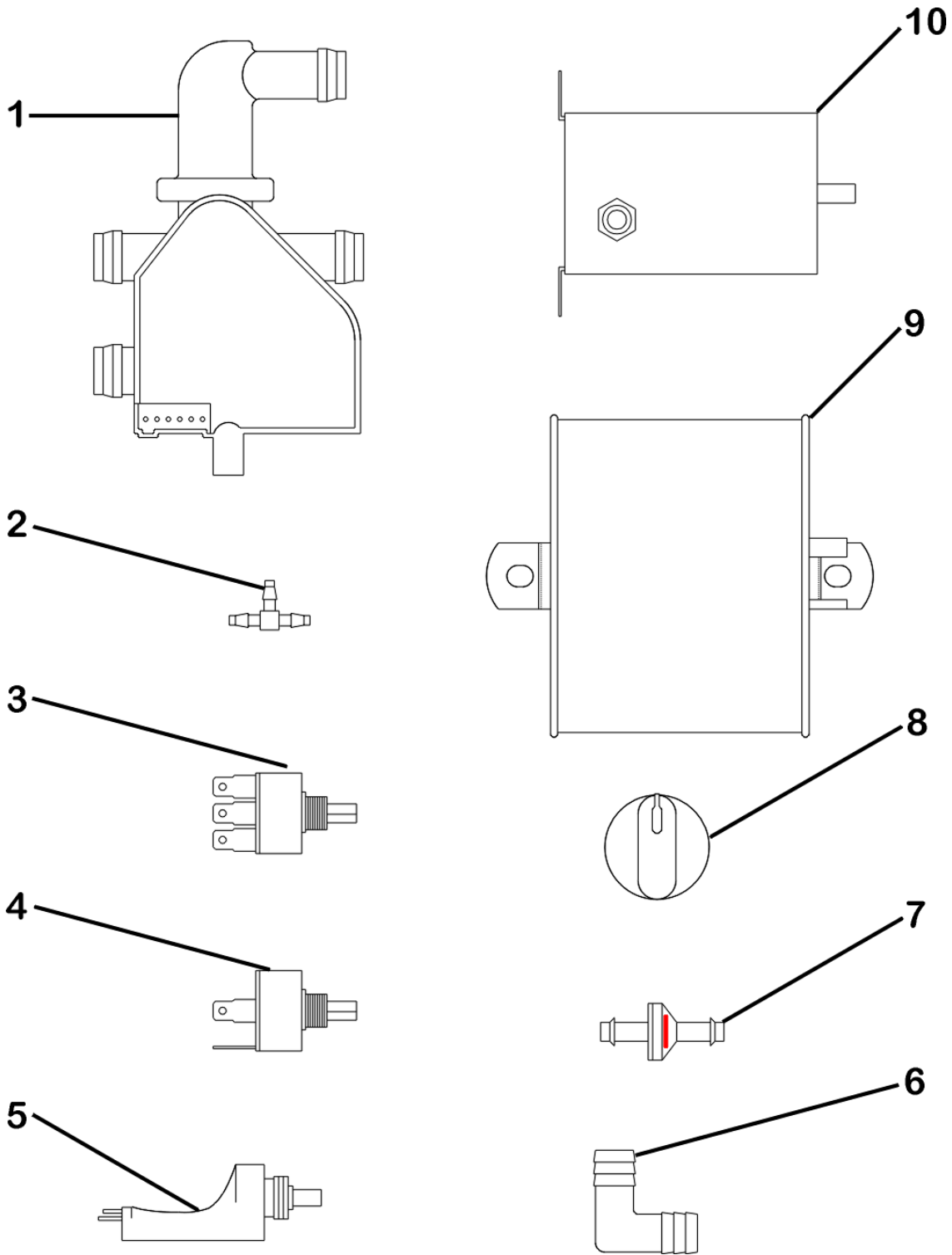


Figure 1.

Start Unit #5757

27P0870

Control Kit, Vacuum Pump

Item#	Part Number	Qty	UM	Description	Start
01	2610-032	1	EA	VALVE, WATER CONTROL, ELECTRIC, 5/8" HOSE	5388
02	1770-154	1	EA	SPLICER, "T" FITTING, DRAIN	5388
03	2400-046	1	EA	SWITCH, MODE, A/C AND DEFROST LEVEL	5757
04	2400-043	3	EA	SWITCH, ROTARY, 3-POSITION, A/C	5757
05	2400-045	1	EA	SWITCH, WATER VALVE, TEMPERATURE	5757
06	1770-062	1	EA	ELBOW, 1/2" DIAMETER, DRAIN	5388
07	1700-130	1	EA	CHECK VALVE, VACUUM	5388
08	1500-029	7	EA	KNOB, CONTROL, A/C	5388
09	1700-126	1	EA	VACUUM RESERVOIR W/ BRACKET	5388
10	0070-0157	1	EA	VACUUM GENERATOR, A/C SYSTEM	5757

A/C BLOWER ASSEMBLY

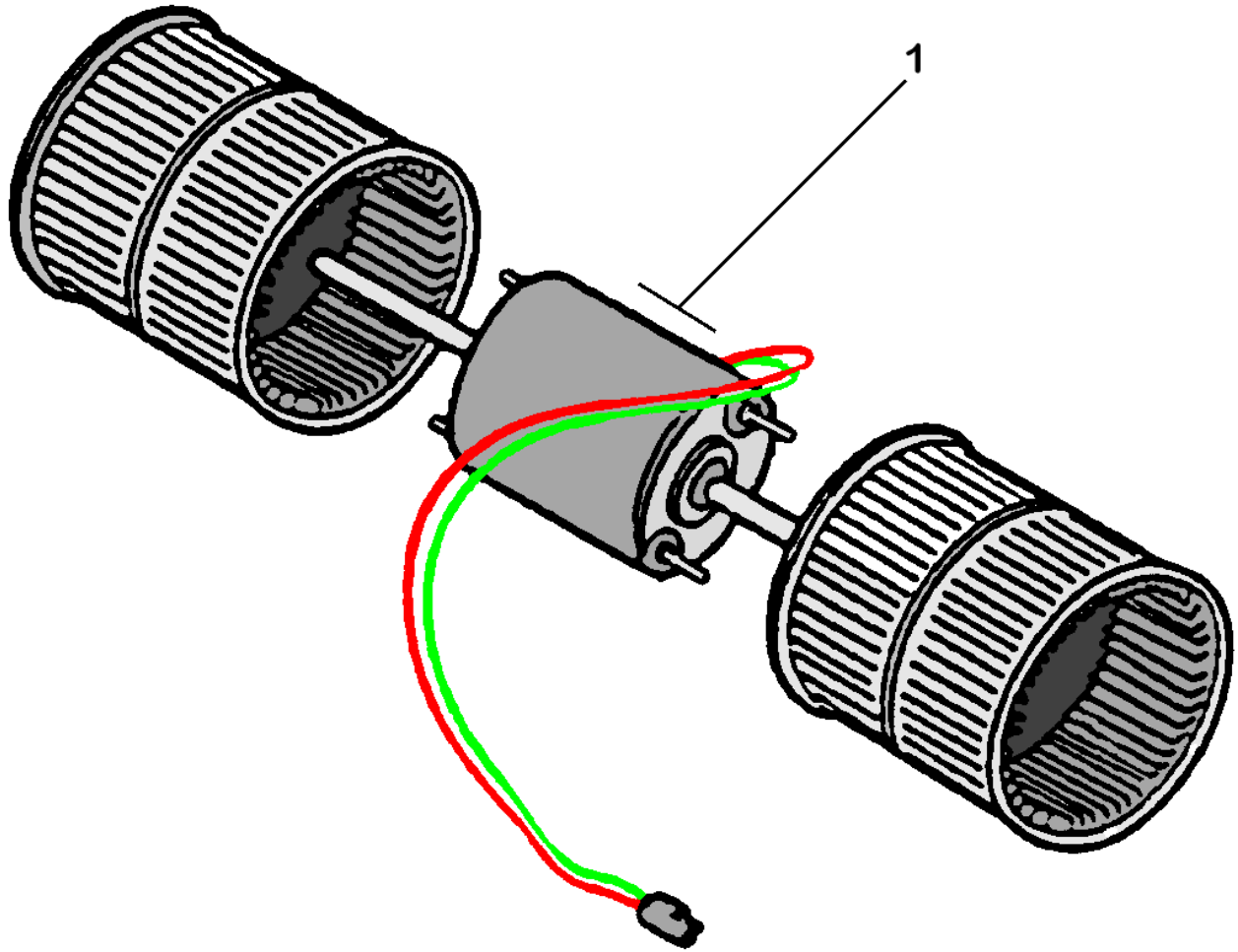


Figure 1.

Start Unit #5757

27P0880

Blower Assembly, Air Conditioning

Item#	Part Number	Qty	UM	Description	Start
01	0083-0012	1	EA	BLOWER ASSEMBLY, 12 VOLT, 3 - SPEED	5757

OUTLETS, A/C



Figure 1.

27P0890

Air Conditioning System Outlets

Item#	Part Number	Qty	UM	Description	Start
01	1311-056	2	EA	REGISTER, INSTRUMENT PANEL A/C, RECTANGLE, SMALL, 2 1/2" ADAPTE	5757
02	1366-044	2	EA	REGISTER, INSTRUMENT PANEL A/C, ROUND, 2 1/2" ADAPTER	5757
03	1311-051	2	EA	REGISTER, DASH A/C, SQUARE	5388
04	1311-048	2	EA	REGISTER, INSTRUMENT PANEL A/C, RECTANGLE, MEDIUM	5757
05	1311-046	2	EA	REGISTER, INSTRUMENT PANEL A/C, RECTANGLE, SMALL	5757
06	1740-058	72	IN	TUBING, FLEX, A/C, 2"	5388
07	1740-230	192	IN	TUBING, FLEX, A/C, 2 1/2"	5757
08	P34496	1	EA	REGISTER, 2" BALL LOUVER, BLACK	4270
	062-00134				

AIR CONDITIONING SYSTEM HOSES

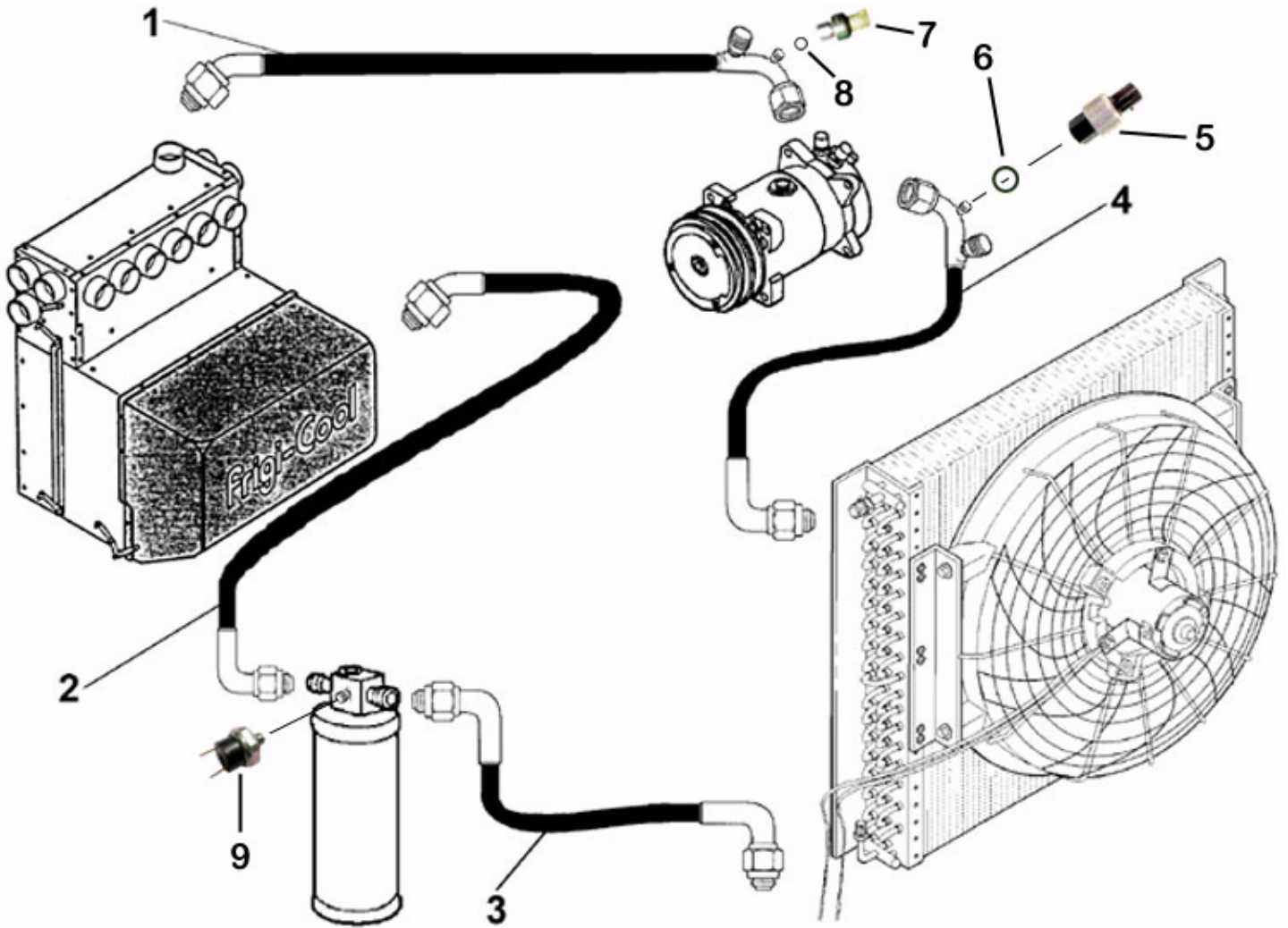


Figure 1.

27P0895

Air Conditioning System Hoses

Item#	Part Number	Qty	UM	Description	Start
01	P61906	A8011	1	EA HOSE, A/C, R134A, #12 X 41', STRAIGHT O-RING (40' COACH)	5782
01A	P61907	A8011	1	EA HOSE, A/C, R134A, #12 X 37', STRAIGHT O-RING (36' COACH)	5784
01B	P61909	A8011	1	EA HOSE, A/C, R134A, #12 X 35', STRAIGHT O-RING (34' U270)	5788
02	P61902	A8011	1	EA HOSE, A/C, R134A, #8 X 44.5', STRAIGHT O-RING (40' COACH)	5782
02A	P61903	A8011	1	EA HOSE, A/C, R134A, #8 X 40.5', STRAIGHT O-RING (36' COACH)	5784
02B	P61905	A8011	1	EA HOSE, A/C, R134A, #8 X 38.5', STRAIGHT O-RING (34' U270)	5788
03	0064-0288		1	EA HOSE, RECEIVER DRYER, LIQUID	5388
04	P24358		1	EA HOSE ASSEMBLY, A/C, #8 X 14' (ALL, 36'-42')	4754
05	P23163	0320-0196	1	EA SWITCH, A/C, LOW PRESSURE	4986
06	P25416	045-00125	1	EA O-RING, M12, SWITCH, A/C, LOW PRESSURE	5034
07	P23160	0320-0195	1	EA SWITCH, A/C, HIGH PRESSURE	4986
08	P51308	045-00129	1	EA O-RING, #6, SWITCH, A/C, HIGH PRESSURE	5423
09	0320-048		1	EA SWITCH, A/C, BINARY, RECEIVER/DRYER	5388



Foretravel, inc.

Motorhomes

Group 900

Dash Panel

DASH COMPONENTS

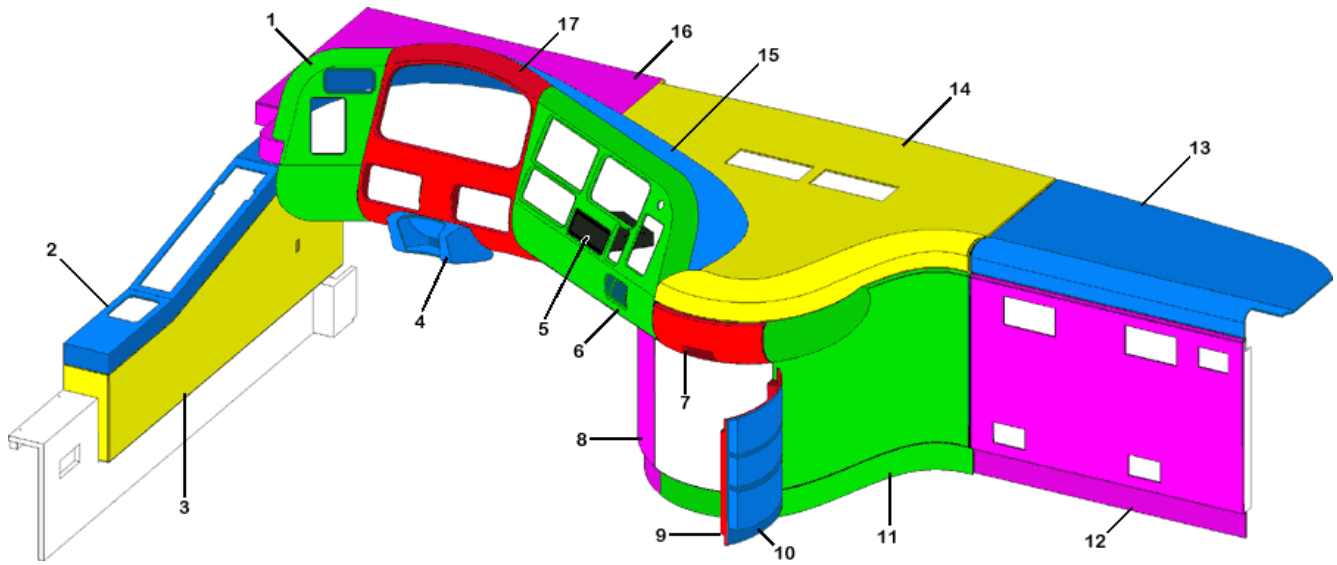


Figure 1.

Start Unit #5757

27P0910

Dash Components, Plastic Parts

Item#	Part Number	Qty	UM	Description	Start	
01	P61556	A-8002.14	1	EA	BEZEL, MAIN DASH, LEFT, DASH PLASTIC	5757
02	P61555	A-8002.07	1	EA	CONSOLE TOP, DRIVER, DASH PLASTIC	5757
03	P61546	A-8002.06	1	EA	CONSOLE BASE, DRIVER, DASH PLASTIC	5757
04	P61560	A-8002.15	1	EA	COVER, STEERING COLUMN, DASH PLASTIC	5757
05	P61559	A-8002.16	1	EA	CUBBY, DASH PLASTIC	5757
06	P61558	A-8002.12	1	EA	BEZEL, MAIN DASH, RIGHT, DASH PLASTIC	5757
07	P61545	A-8002.05	1	EA	FRONT, DRAWER, DASH PLASTIC	5757
07A	P62209	A8083	1	EA	LATCH ASSEMBLY, DASH TABLE	5757
07B	P62210	A8083	1	EA	CATCH ASSEMBLY, DASH TABLE LATCH	5757
08	P61550	A-8002.03	1	EA	FRONT BASE, LEFT HAND, DASH PLASTIC	5757
09	P61551	A-8002.17	1	EA	PANEL, INNER DOOR, DASH PLASTIC	5757
10	P61544	A-8002.04	1	EA	PANEL, OUTER DOOR, DASH PLASTIC	5757
11	P61547	A-8002.02	1	EA	FRONT BASE, MIDDLE, DASH PLASTIC	5757
12	P61548	A-8002.01	1	EA	FRONT BASE, RIGHT HAND, DASH PLASTIC	5757
13	P61554	A-8002.10	1	EA	TOP, PASSENGER, DASH PLASTIC	5757
14	P61553	A-8002.09	1	EA	TOP, CENTER, DASH PLASTIC	5757
15	P61549	A-8002.11	1	EA	HOOD, DASH PLASTIC	5757
16	P61552	A-8002.08	1	EA	TOP, DRIVER, DASH PLASTIC	5757
17	P61557	A-8002.13	1	EA	BEZEL, MAIN DASH, CENTER, DASH PLASTIC	5757

DASH INSTRUMENTS

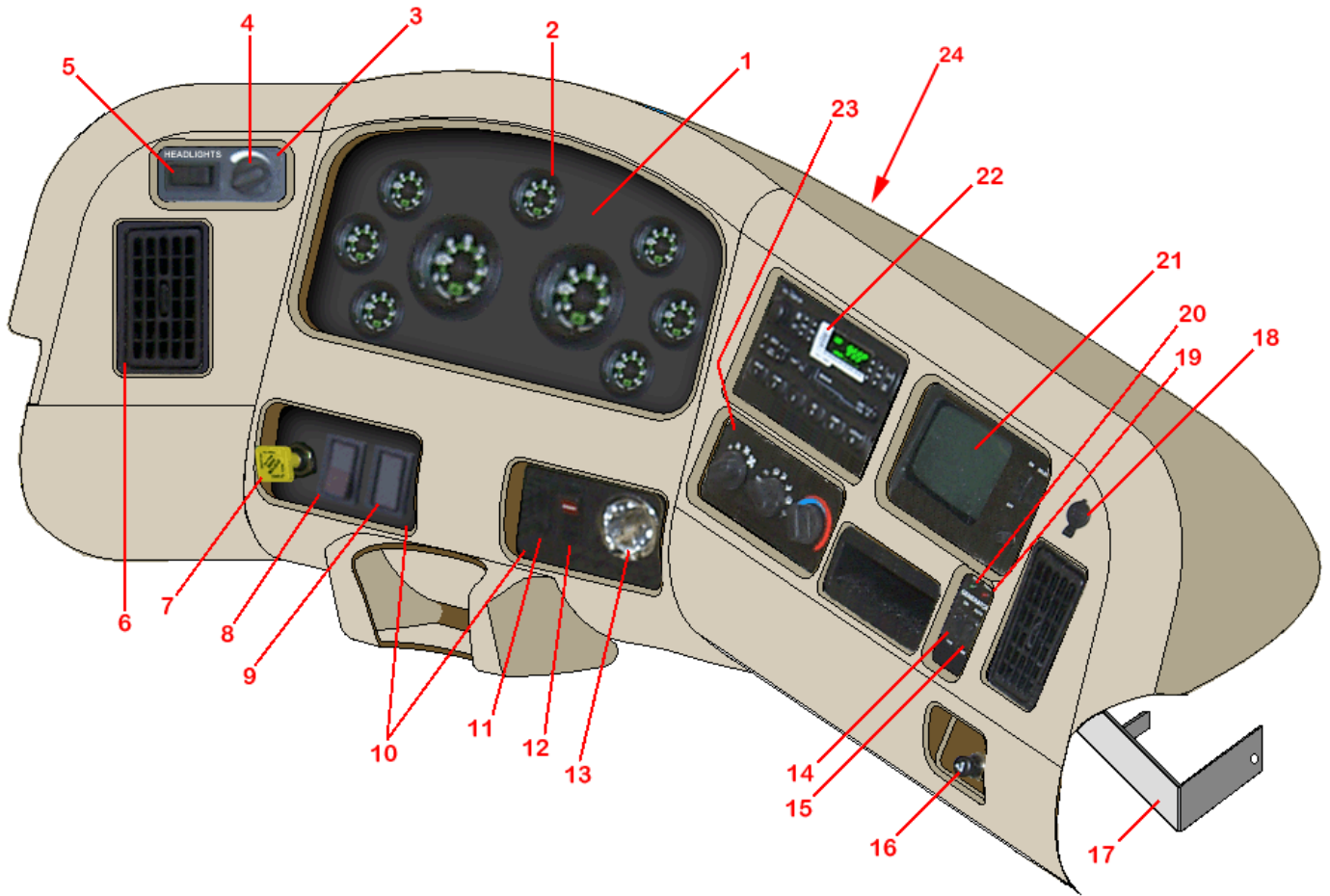


Figure 1.

Start Unit #5757

27P0920

Dash Instruments

Item#	Part Number	Qty	UM	Description	Start	
01	P61041	42-61041	1	EA	PANEL, DASH GAUGES, MAIN	5757
01A	P61046	42-61046	1	EA	CONTROL MODULE, WARNING LIGHT, DASH	5757
02	NOTE925				SEE GROUP 925: DASH GAUGES	
03	P61036	42-61036	1	EA	PANEL, DASH, HEADLIGHT - A/C	5757
04	P23165	74601-01	1	EA	SWITCH, DIMMER, 12V	
04A	4237047KNOB		1	EA	KNOB, CONTROL, A/C	5387
05	P30300	511.005	2	EA	SWITCH, OFF / ON	3756
06	NOTE890				SEE GROUP 890: A/C OUTLETS	
07	NOTE620				SEE GROUP 620: PARK BRAKE VALVE	
08	P30307	511.043	2	EA	SWITCH, MOMENTARY, OFF OR ON	3756
08A	P52939	59L.688	1	EA	LENS, LAMP, "TRIP ODOMETER RESET", BLUE	5757
09	P30306	596.273	1	EA	SWITCH BLANK / COVER	3756
10	P61039	42-61039	1	EA	PANEL, DASH, IGNITION / PARK BRAKE	5757
11	P30307	511.043	2	EA	SWITCH, MOMENTARY, OFF OR ON	3756
11A	P35991		1		SHOCK ABSORBER, FRONT	4536
12	P30300	511.005	2	EA	SWITCH, OFF / ON	3756
13	P0914573	95410	1	EA	SWITCH, IGNITION / STARTER	3321
13A	P0914574	3918893	1	EA	BEZEL, IGNITION SWITCH	3321
13B	P0914575	15591179	1	EA	SPACER, IGNITION SWITCH	3321
13C	P0914576	695450	1	EA	CYLINDER, IGNITION KEY	3321
14	P37443	GRS201SC-1300	1		SWITCH, MOMENTARY, SPDT	4558
15	P37442	RA901-RB-BON	1	EA	SWITCH, ON / OFF, SPST	4558
16	P02851	L5003	1	EA	ELEMENT, CIGARETTE LIGHTER 12 VOLT	3321
16A	P02852	L4800	1	EA	SOCKET, CIGARETTE LIGHTER 12 VOLT	3321
17	P61035	42-61035	1	EA	BASE, DASH, ALUMINUM BRACKET	5757
18	P24386	12V-FD	1		RECEPTACLE, 12V ACCESSORY W/ COVER	4989
19	P37445	HLH-SOL-EFL732	1	EA	L.E.D., GREEN	4570
20	P25549	LHLSOLRFL7322	1	EA	L.E.D., RED	5108
21	NOTE1535				SEE GROUP 1535: CAMERA/MONITOR	
22	P60601	XF2F19B132BC	1	EA	RADIO, DASH MOUNT, CASSETTE / AM / FM	5757
22A	P61045	42-61045	1	EA	BRACKET, DASH RADIO MOUNT	5757
23	NOTE835				SEE GROUP 835: CONTROL KIT	
24	P61037	42-61037	1	EA	PANEL, DASH, RADIO / MONITOR / GENERATOR / A/C	5757

DASH GAUGES

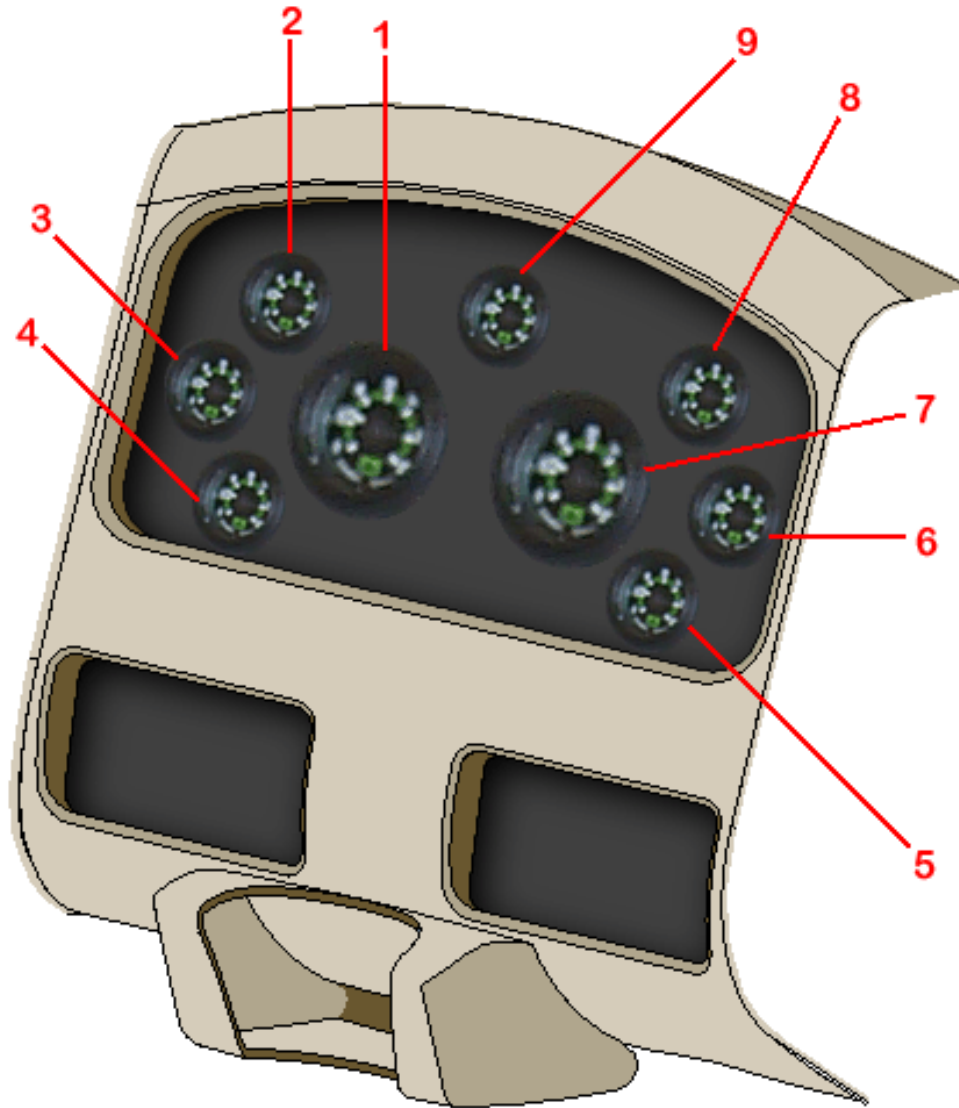


Figure 1.

Start Unit #5757

27P0925

Dash Gauges

Item#	Part Number	Qty	UM	Description	Start
01	P61114	484E	1	EA GAUGE, SPEEDOMETER, 85 PMH / LCD TRIPMETER	5782
02	P61117	469A	1	EA GAUGE, COOLANT TEMPERATURE	5782
03	P61116	464A	1	EA GAUGE, OIL PRESSURE, 100 PSI	5782
04	P61121	464B	1	EA GAUGE, AIR PRESSURE, FRONT	5782
05	P61122	464C	1	EA GAUGE, AIR PRESSURE, REAR	5782
06	P61119	469D	1	EA GAUGE, TRANSMISSION OIL TEMPERATURE	5782
07	P61115	483B	1	EA GAUGE, TACHOMETER, 4000 RPM / LCD HOURMETER	5782
08	P61118	467A	1	EA GAUGE, VOLTMETER	5782
09	P61120	459A	1	EA GAUGE, FUEL, 240-30 OHM	5782
998	P61123	988L	1	EA CONTROLLER, IC MAX INSTRUMENTS	5782
999	P61125	836635-2	1	EA CABLE, DATA BASE CONNECTOR, 2'	5782

DRIVER SIDE COCKPIT

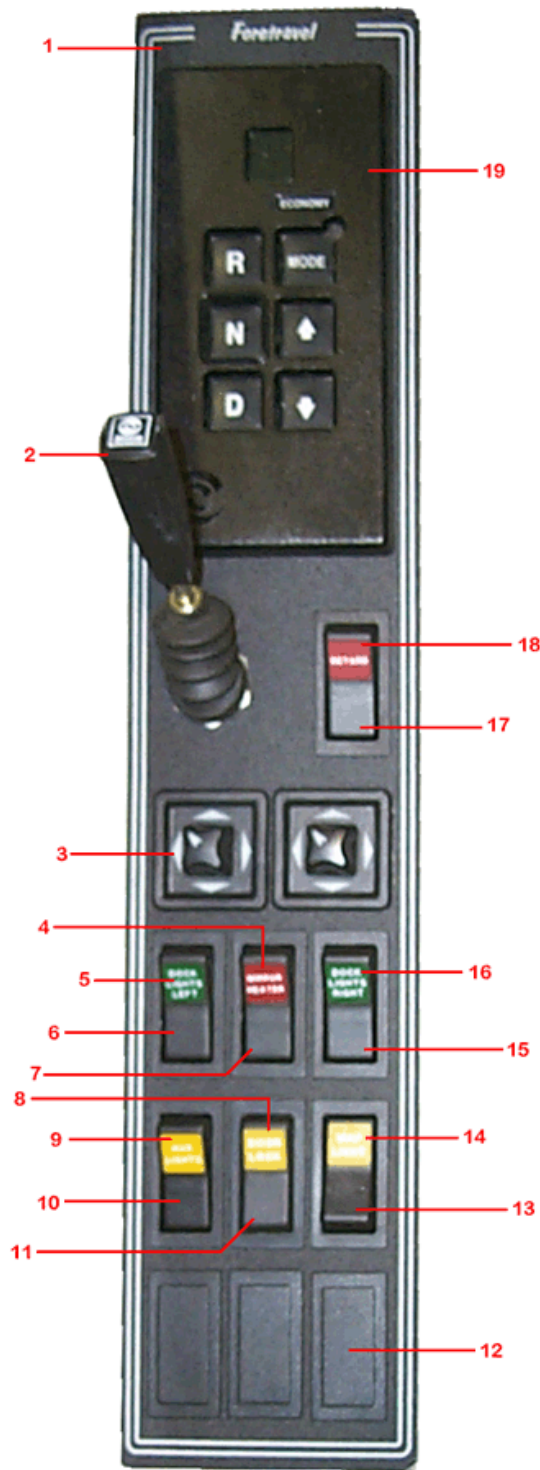


Figure 1.

27P0930

Cabinet, Driver Side Cockpit

Item#	Part Number	Qty	UM	Description	Start
01	P61040	42-61040	1	EA SWITCH PANEL, DRIVER COCKPIT	5757
02	NOTE390			SEE GROUP 390: RETARDER CONTROL	
03	ELE310		2	EA SWITCH, MIRROR CONTROL, SQUARE	3593
04	P35594		1	EA LENS, LAMP, "MIRROR HEATER" RED	4558
05	P35587		1	EA LENS, LAMP, "DOCK LIGHTS LEFT" GREEN	4470
06	P30300	511.005	6	EA SWITCH, OFF / ON	3756
07	P30300	511.005	6	EA SWITCH, OFF / ON	3756
08	P28519	59L.645	1	EA LENS, LAMP, "DOOR LOCK", YELLOW	5268
09	P35584		1	EA LENS, LAMP, "AUXILLARY LIGHTS" YELLOW	4470
10	P30300	511.005	6	EA SWITCH, OFF / ON	3756
11	P28150	511.066	1	EA SWITCH, MOMENTARY "ON / ON" WITH CENTER "OFF"	5188
12	P30306	596.273	3	EA SWITCH BLANK / COVER	3756
13	P30300	511.005	6	EA SWITCH, OFF / ON	3756
14	P22177	59L.609	1	EA LENS, LAMP, "MAP LIGHT YELLOW	4989
15	P30300	511.005	6	EA SWITCH, OFF / ON	3756
16	P35593		1	EA LENS, LAMP, "DOCK LIGHTS RT" GREEN	4558
17	P30300	511.005	6	EA SWITCH, OFF / ON	3756
18	P35586	59L.488 SWF	1	EA LENS, LAMP, "RETARDER RED	4470
19	29529429		1	EA SELECTOR, TRANSMISSION SHIFT CONTROL	5748

STEERING COMPONENTS

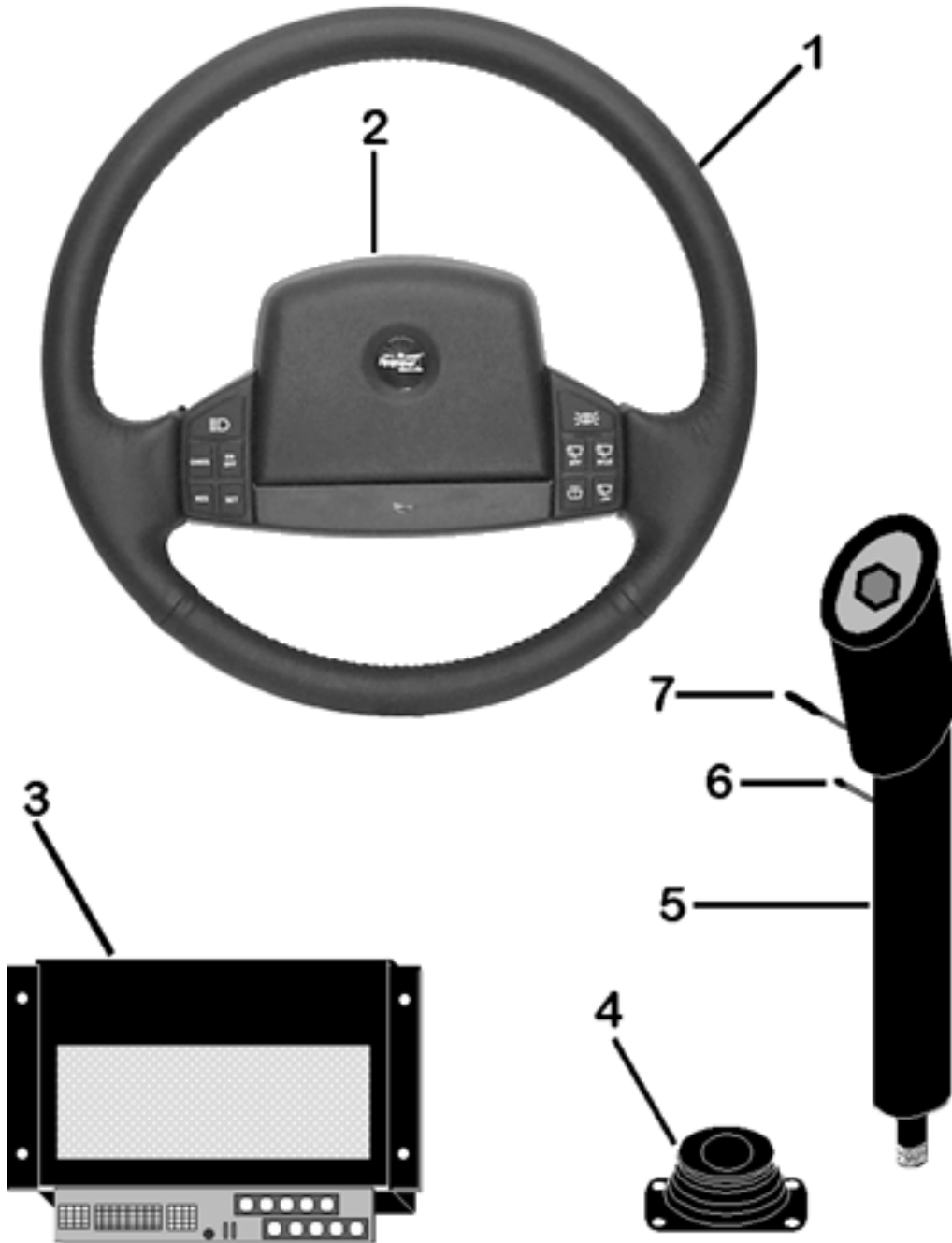


Figure 1.

27P0940-1

Steering Components

Item#	Part Number	Qty	UM	Description	Start	
01	P52901	PC209L	1	EA	STEERING WHEEL W/ CONTROLLER, 18" BLACK LEATHER, '99	5535
02	P52902	PC107	1	EA	CENTER PAD, FORETRAVEL LOGO, BLACK LEATHER	5592
03	P52900	SM209	1	EA	CONTROL MODULE, STEERING WHEEL "SMART WHEEL"	5535
04	P0914585	F3216	1	EA	BOOT, DUST PROTECT, STEERING COLUMN	3221
05	P23831	9201104	1	EA	COLUMN, STEERING WHEEL	4995
06	TL2B		1	KT	LEVER KIT, TILT	4995
07	TS012		1	KT	LEVER/SWITCH KIT, TURN SIGNAL	4995



Foretravel, inc.

Motorhomes

Group 1000

Exterior

SIDEWALL ASSEMBLY, DRIVER

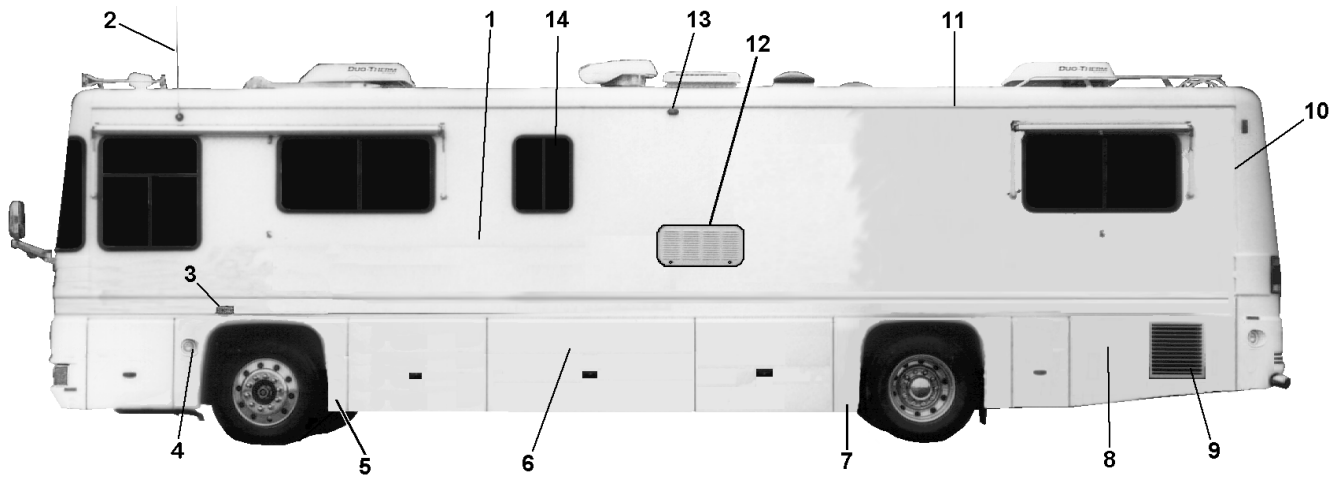


Figure 1.

27P1115
1115-Dsw.PCX
Rev. 07/98

Sidewall Parts, Driver

27P1115

Driver Sidewall Assembly

Item#	Part Number	Qty	UM	Description	Start
01	P38993	1	EA	SIDEWALL FIBERGLASS, 36'	4470
01A	P25733	1	EA	SIDEWALL FIBERGLASS, 34'	5102
01B	P35748	1	EA	SIDEWALL FIBERGLASS, 40'	4558
02	NOTE1140			SEE GROUP 1140: CB ANTENNA	
03	P6231	1	EA	LIGHT, SIDE TURN SIGNAL, AMBER	3584
03A	3057	1	EA	BULB, 12V, TURN SIGNAL	3321
04	QL-RV-H7614	2	EA	LIGHT, DOCKING, HALOGEN	3322
04A	H7614	2	EA	BULB, DOCKING LIGHT, 12V, SEALED	3322
04B	P35171	2	EA	BEZEL, DOCKING LIGHT	4358
05	P35176	1	EA	EYEBROW, FRONT, LH, FIBERGLASS	4470
06	NOTE1130			SEE GROUP 1130: COMP. DOORS	
07	P34482	1	EA	EYEBROW, REAR, FIBERGLASS	3614
08	P39826	1	EA	PANEL, KICK-UP, LH, FIBERGLASS	4996
09	P39830	1	EA	GRILL, D/S KICK-UP PANEL, A/C	4470
10	P018002		EA	TRIM, EXTERIOR, WHITE ALUM, 10'	3321
11	P35036		EA	RADIUS, ROOF, 456" (40')	4425
12	P35906	1	EA	VENT DOOR, REFRIGERATOR, OUTSIDE (RM 3807 / 4804)	4225
13	P35024	1	EA	LIGHT, CLEARANCE, AMBER	4389
14	NOTE1120			SEE GROUP 1120: WINDOWS	

SIDEWALL WINDOWS



Figure 1.

27P1120
1120-Wdw.PCX
Rev. 07/98

27P1120

Sidewall Windows

Item#	Part Number	Qty	UM	Description	Start
A	P29423		EA	WINDOW, LH, 30"W X 21"H	5387
B	P23794		EA	WINDOW, LH, 35"W X 39"H	4996
C	P23795	170255428024	EA	WINDOW, LH, 55 1/2"W X 28"H	4996
D	P29417		EA	WINDOW, LH, 20"W X 21"H	5388
E	P29420		EA	WINDOW, DOOR, 23 5/8"W X 37 1/4"H	5388
F	P23798	1751230290015	EA	WINDOW, RH, 23"W X 39"H	4996
G	P23799	1701490280041	EA	WINDOW, RH, 49"W X 28"H	4996
H	P23800	1701554280042	EA	WINDOW, RH, 55 1/2"W X 28"H	4996

COMPARTMENT ACCESS DOORS, U270

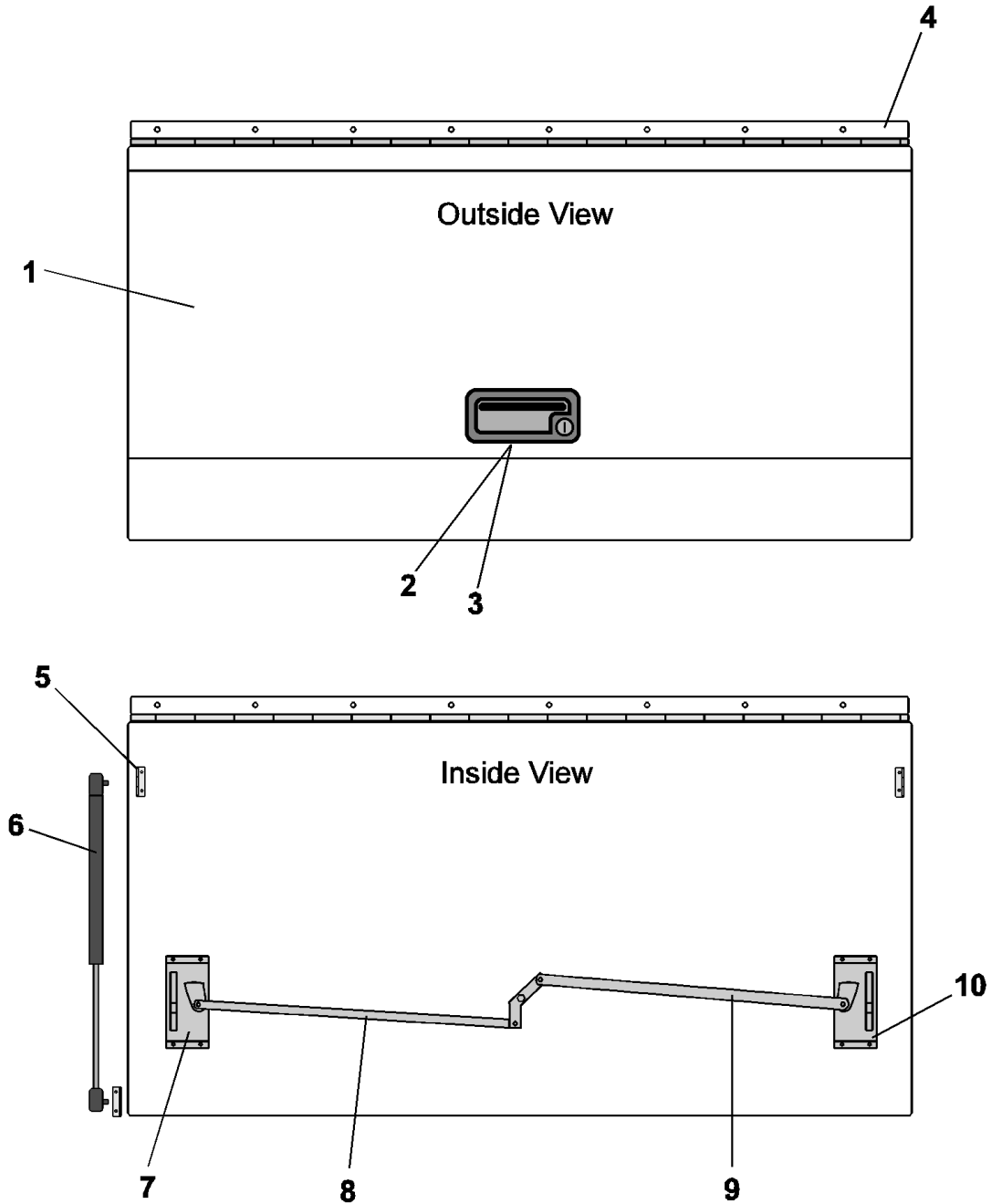


Figure 1.

27P1130-2

Compartment Access Doors

Item#	Part Number	Qty	UM	Description	Start
01	P20835		EA	DOOR, STORAGE, 72 FIBERGLASS	4754
01A	P20831		EA	DOOR, STORAGE, 48 FIBERGLASS	4754
01B	P20834		EA	DOOR, STORAGE, 29.625 FBRGLS	4754
01C	P20833		EA	DOOR, STORAGE, 19.75 PSD, {FIBERGLASS ONLY}	4754
02	P25369	KYONE13525-01	1	EA LOCK, PADDLE HANDLE, KEY ONE	4785
02A	P39174	12455-37	1	EA LOCK, PADDLE HANDLE W/O KEY	4754
03	P0198012	A3283	FT	HINGE, ALUMINUM, WHITE, OFFSET 1" X 1.25" X 8'6"	3321
05	P33409	A4638	4	EA BRACKET, GAS SPRING, HEAT TREATED	4594
06	P33410	SL34-90-10MM	2	EA GAS SPRING, 90 LB, W/ BALL STUD END	4260
06A	P33411	SL34-70-10MM	2	EA GAS SPRING, 70 LB, W/ BALL STUD END	4260
06B	P34646	SL34-40-10MM	2	EA GAS SPRING, 40 LB, W/ BALL STUD END	4095
07	P35152		1	EA LOCK ASSEMBLY, COMPARTMENT DOOR, LEFT HAND	4373
08	P33444	S8700RXXZNRO	2	EA FLAT BAR, COMPARTMENT LOCK,44" CUT TO FIT	4373
09	P33444	S8700RXXZNRO	2	EA FLAT BAR, COMPARTMENT LOCK,44" CUT TO FIT	4373
10	P35151		1	EA LOCK ASSEMBLY, COMPARTMENT DOOR, RIGHT HAND	4373
11	NOTE1133			SEE GROUP 1133: KEYLESS LOCK ASSY.	

KEYLESS LATCH ASSEMBLY, U270

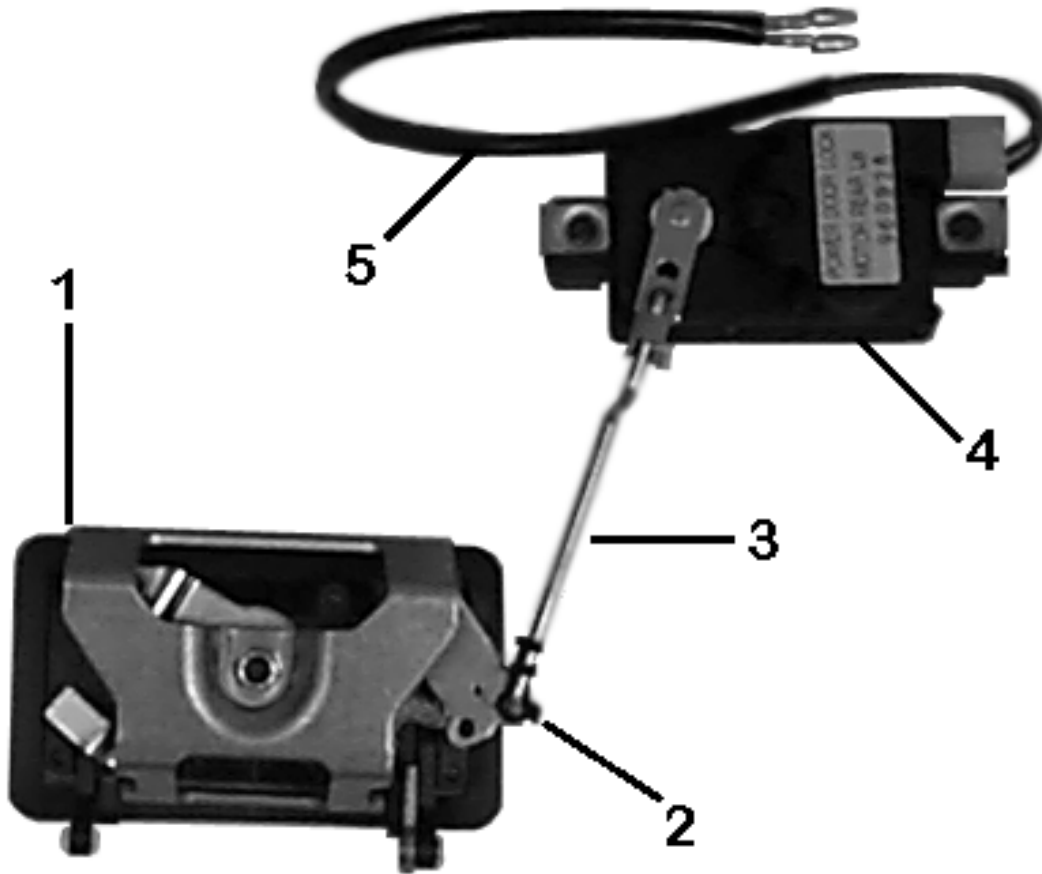


Figure 1.

Keyless Latch Assembly

27P1133

Keyless Latch Assembly

Item#	Part Number	Qty	UM	Description	Start
	P22475			LATCH ASSEMBLY, KEYLESS ENTRY	4917
01	P25369				
	KYONE13525-01	1	EA	LOCK, PADDLE HANDLE, KEY ONE	4785
02	P28939				
	47910	1	EA	CLIP, ACTUATOR ROD	5159
03	P29171				
	15227-01	1	EA	ROD, ACTUATOR	5159
04	P22476				
	80172P	1	EA	ACTUATOR, ELECTRIC KEYLESS LATCH	4917
05	P27595				
	TS AUX	1	EA	HARNESS, ACTUATOR	5194

KEYLESS LATCH MODULE KIT



Figure 1.

27P1134-1
Group 1134, Module.PCX
Rev. 07/98

Keyless Latch Module

27P1134-1

Keyless Latch Module Kit

Item#	Part Number	Qty	UM	Description	Start
	P29281			MODULE KIT, KEYLESS ENTRY	5388
01	202-3208	1	EA	MODULE / RECIEVER, KEYLESS LATCH	5388
02	2036826	1	EA	HARNESS, PRIMARY, KEYLESS LATCH	5388
03	412-1052	2	EA	REMOTE SWITCH, KEYLESS LATCH	5388
04	203-6819	1	EA	HARNESS, FUSED, KEYLESS LATCH	5388

DOOR FACING, COMPARTMENT

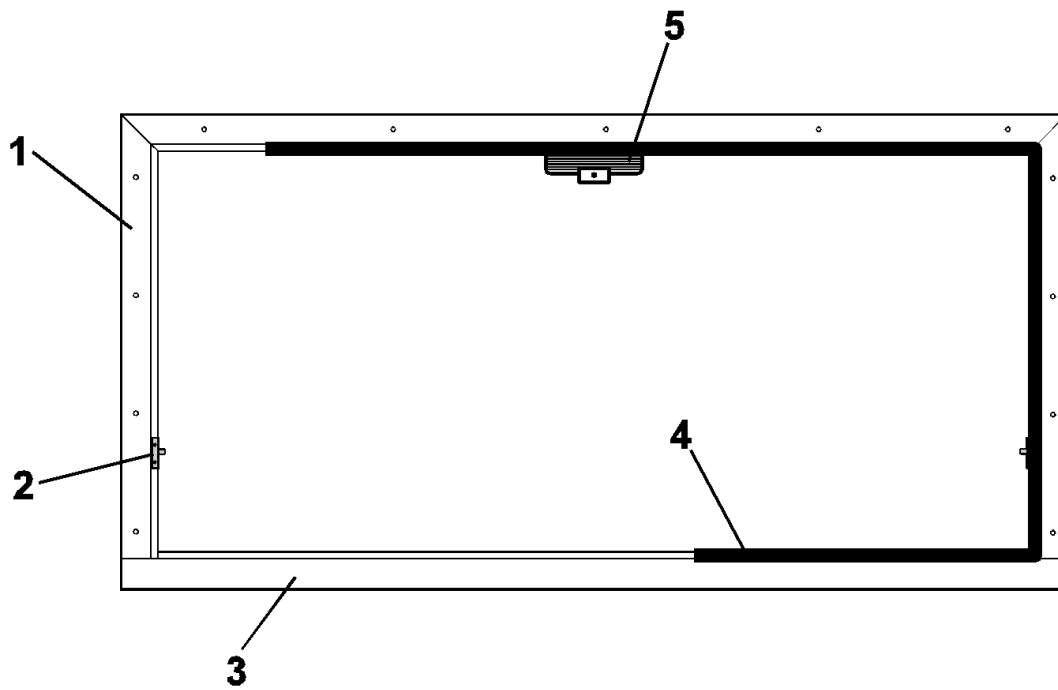


Figure 1.

27P1135

Access Compartment Door Facing

Item#	Part Number	Qty	UM	Description	Start
01	P51691	34618-52	96	FT TRIM, BLACK ALUMINUM, GASKET RETAINER, COMPARTMENT DOOR	5592
02	P35188		2	EA LATCH PLATE ASSEMBLY, STORAGE COMPARTMENT	4260
03	P51690	A7293	33	FT TRIM, BLACK ALUMINUM, SUBFLOOR BATTEN, 16' LENGTH	5592
04	P085352	75000720	132	FT GASKET, COMPARTMENT DOOR TRIM SEAL	3324
05	P064801	PD760UWW	1	EA LIGHT, SINGLE DOME, 12V	3321
05A	P28749	195	5	EA LIGHT, FLUORESCENT, SINGLE	5365
998	NOTE33			THE AMOUNT OF MATERIAL USED, IN FOOTAGE, IS REL. TO COMP. SIZE	

REEL COMPARTMENT

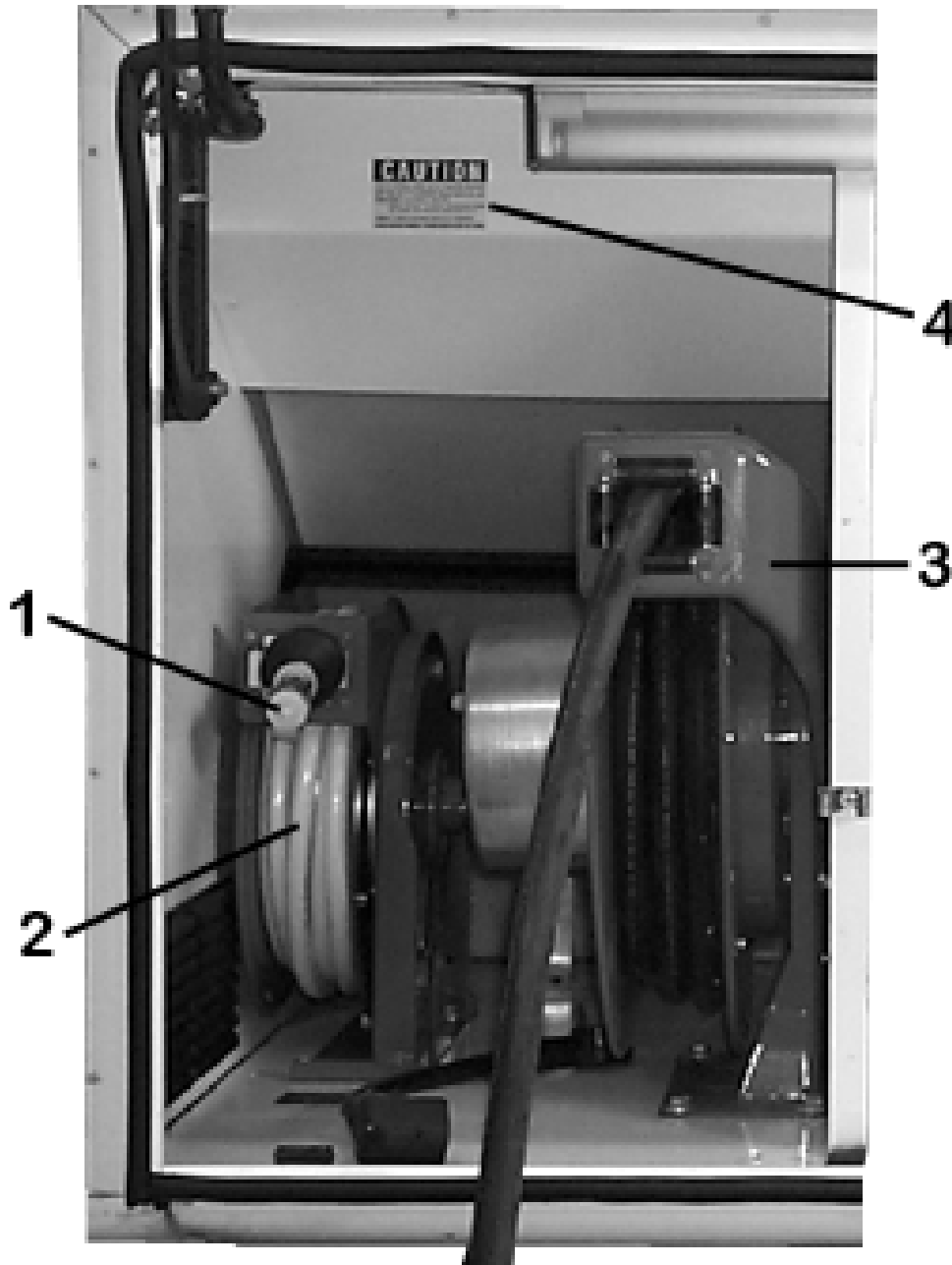


Figure 1.

Hose/Shoreline Reel

27P1136

Reel Compartment

Item#	Part Number	Qty	UM	Description	Start
01	P34633	20355	1	EA VALVE, 1/2", WATER BACK-FLOW PREVENT	4280
02	P34628	5835 OLBSW-23	1	EA REEL, 35' WATER HOSE, RETRACTABLE	4280
03	P34627	L-7035-064-4	1	EA REEL, 35' SHORELINE, 50 AMP, RETRACTABLE	4280
04	P34642	20605	1	EA LABEL, "CAUTION", SHORELINE REEL	4280

UTILITY COMPARTMENT U270

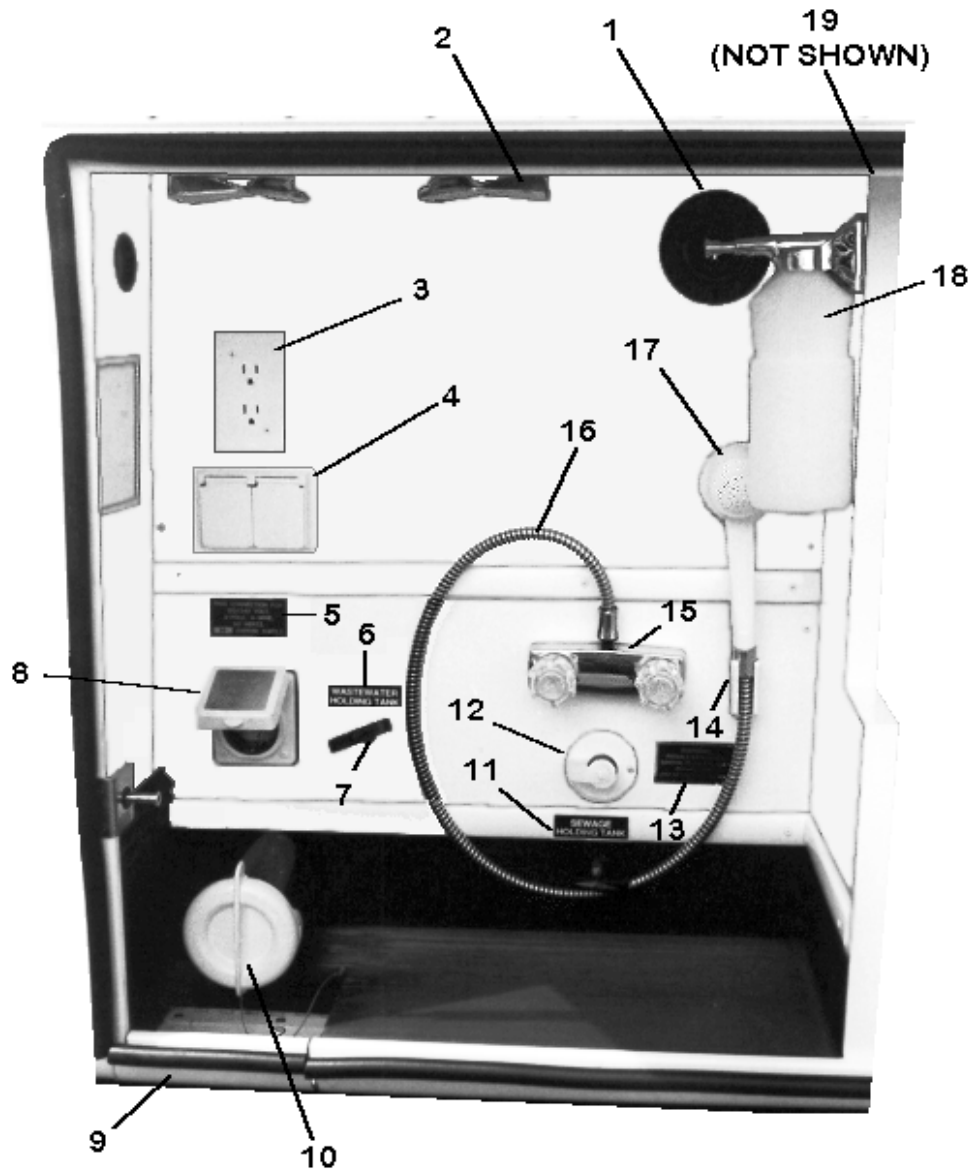


Figure 1.

27P1139
1139.PCX
Rev. 03-96

27P1139

Utility Compartment

Item#	Part Number	Qty	UM	Description	Start
01	P39699	04-50001	1	EA LOUVER ASSEMBLY, 3" BALL	
01A	P37912	760	1	EA GRILL, BLACK PLASTIC, 5" X 12"	4595
02	P33437	527-20	1	EA HOLDER, PAPER TOWEL ROLL	4222
03	P34459	WDR15WT	1	EA RECEPTACLE, DUPLEX, WHITE, 110	4222
04	P0924053	PRC-60	1	EA RECEPTACLE, TV/TELEPHONE WEATHERPROOF	4222
05	P063921	AS-32A	1	EA LABEL, "THIS CONNECTION FOR 120/220V"	3321
06	P33430	AD-38	1	EA LABEL WASTEWATER HOLDING TANK	4222
07	P39669		1	EA HANDLE/EXTENSION ROD ASSM,12"	4747
07A	P39670		1	EA HANDLE/EXTNSION ROD ASSM,1 1/2	4747
08	P087421	6354EL-B/50A	1	EA RECEPTACLE, 50A MALE SHORELINE	4171
08A	P32329	6152CRRV-25	1	EA SHORELINE, 25', 50A-125/250V	4171
09	P56212		1	EA DOOR ASSEMBLY, BOTTOM ACCESS	5592
10	01664	P09470	1	EA CAP, SEWER DRAIN, WITH WIRE	3321
11	P33431	AD-39	1	EA LABEL, "SEWAGE HOLDING TANK"	4222
12	P5894		1	EA WATER FILL, SURFACE MOUNT	3557
13	P06396	AD-04	1	EA LABEL, "POTABLE WATER ONLY"	3321
14	P21130	230319	1	EA BRACKET, HAND SPRAYER, WHITE	4754
15	P39196	23367	1	EA FAUCET, UTILITY COMPARTMENT	4754
16	P39198	21015	1	EA HOSE, 40 FLEXBLE CHROME	4754
17	P39197	22711	1	EA HANDSET, WHITE	4754
18	P33435	2950K62	1	EA DISPENSER, LIQUID SOAP-1 QUART	4222
19	P04055	52-616	1	EA SWITCH, DOOR JAMB	3321

ANTENNA ASSEMBLY - CB RADIO U270

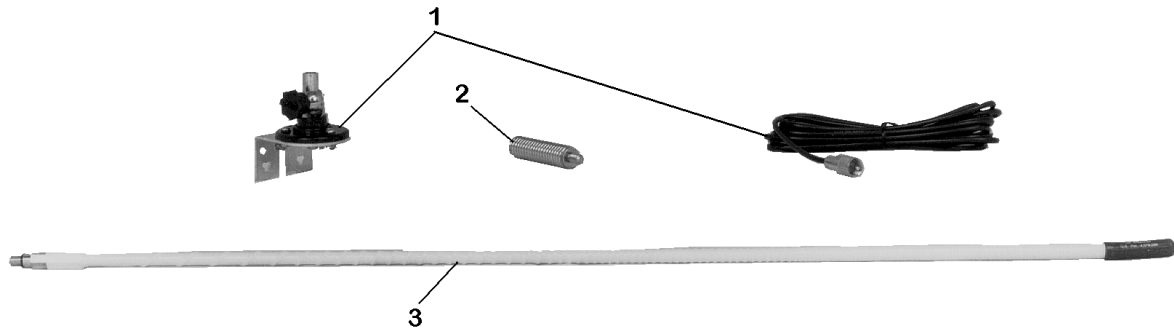


Figure 1.

27P1140
CB-ANT.PCX
Rev. 03-96

CB Antenna Assembly

27P1140

Antenna Assembly - CB Radio

Item#	Part Number	Qty	UM	Description	Start
01	P082104	1	EA	BASE/BALL MOUNT/COAX SET, CB ANTENNA	3321
02	P082102	1	EA	SS-3M SPRING, CB ANTENNA	3321
03	P21378	1	EA	FS-2W ANTENNA, CB RADIO, 2'	4754

WATER HEATER ASSEMBLY

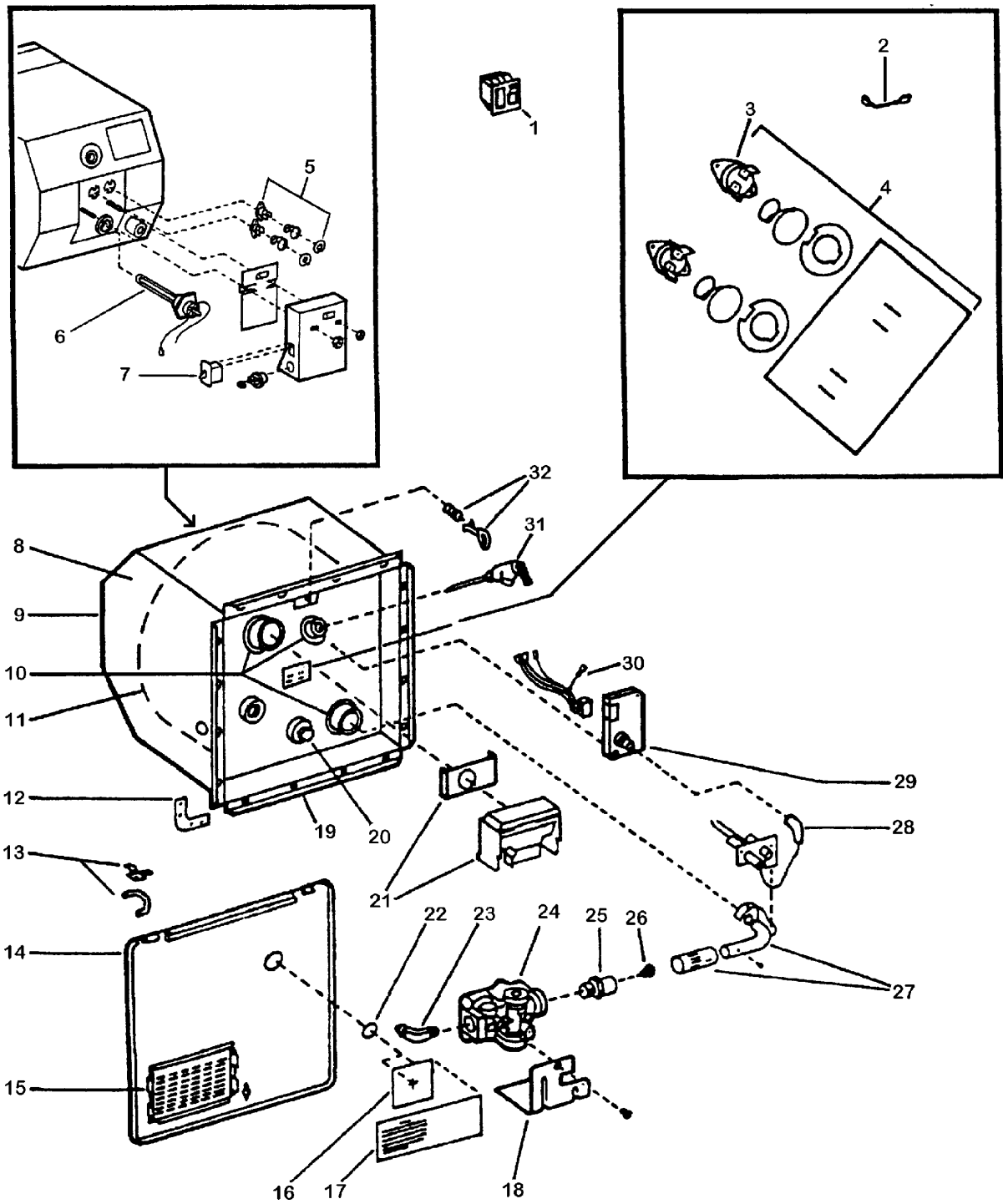


Figure 1.

10 gallon, 3-way

27P1160

Water Heater Assembly

Item#	Part Number	Qty	UM	Description	Start	
	P35164			94162	WATER HEATER, 10 GALLON, 3-WAY	4564
01	91959	1	EA	SWITCH PACKAGE, ELECTRIC START	3839	
02	93866	1	EA	THERMAL CUT-OFF	3839	
03	91470	1	KT	THERMOSTAT, 12VDC, 120DEG PRESET	3839	
04	91447	1	KT	KIT, ECO/140 DEG THERMOSTAT	3332	
05	91873	1	KT	THERMOSTAT & ECO, 110 VOLT	4564	
06	91160	1	EA	HEATING ELEMENT, 1500 WATT	4564	
07	92857	1	EA	SWITCH, ON / OFF	4564	
08	93262	1	EA	INSULATION BLANKET, 10 GALLON	4564	
09	93912	1	EA	JACKET, FIBERBOARD, 10 GALLON	4564	
10	96010	1	KT	GASKET KIT, INNER TANK	3839	
11	91185	1	EA	TANK, INNER, WATER HEATER	4564	
12	91928	1	KT	BRACKETS, CORNER	4564	
13	91858	1	KT	KIT, DOOR HARDWARE	4564	
14	91928	1	KT	BRACKETS, CORNER	4564	
15	92640	1	EA	GRILL, FLUE	4564	
16	91858	1	KT	KIT, DOOR HARDWARE	4564	
17	93241	1	EA	LABEL, "CAUTION WATER HEATER	4564	
18	93862	1	EA	BRACKET, GAS VALVE	4564	
19	NOTE103	1	EA	DRAWN PAN, ORDER BY MODEL NUMBER		
20	91857	1	KT	PLUG, DRAIN, 1/2" MPT	3332	
21	91794	1	EA	FLUE, BOX AND GASKET	3321	
22	91858	1	KT	KIT, DOOR HARDWARE	4564	
23	91044	1	EA	FITTING, ELBOW, VALVE TO LINE	3321	
24	93869	1	KT	GAS VALVE & VALVE BRACKET	4564	
25	91563	1	EA	HOLDER, ORIFICE	3321	
26	93914	1	EA	ORIFICE, MAIN BURNER	4564	
27	93221	1	EA	BURNER, MAIN, WATER HEATER	4564	
28	93868	1	EA	PROBE, SPARK, SINGLE SENSE	3332	
29	93867	1	EA	BOARD, POTTED CIRCUIT (BRAIN)	3332	
30	93919	1	EA	HARNESS, WIRING, WATER HEATER	3321	
31	91604	1	EA	VALVE, RELIEF (POP-OFF), 1/2	3839	
32	91858	1	KT	KIT, DOOR HARDWARE	4564	

FURNACE ASSEMBLY

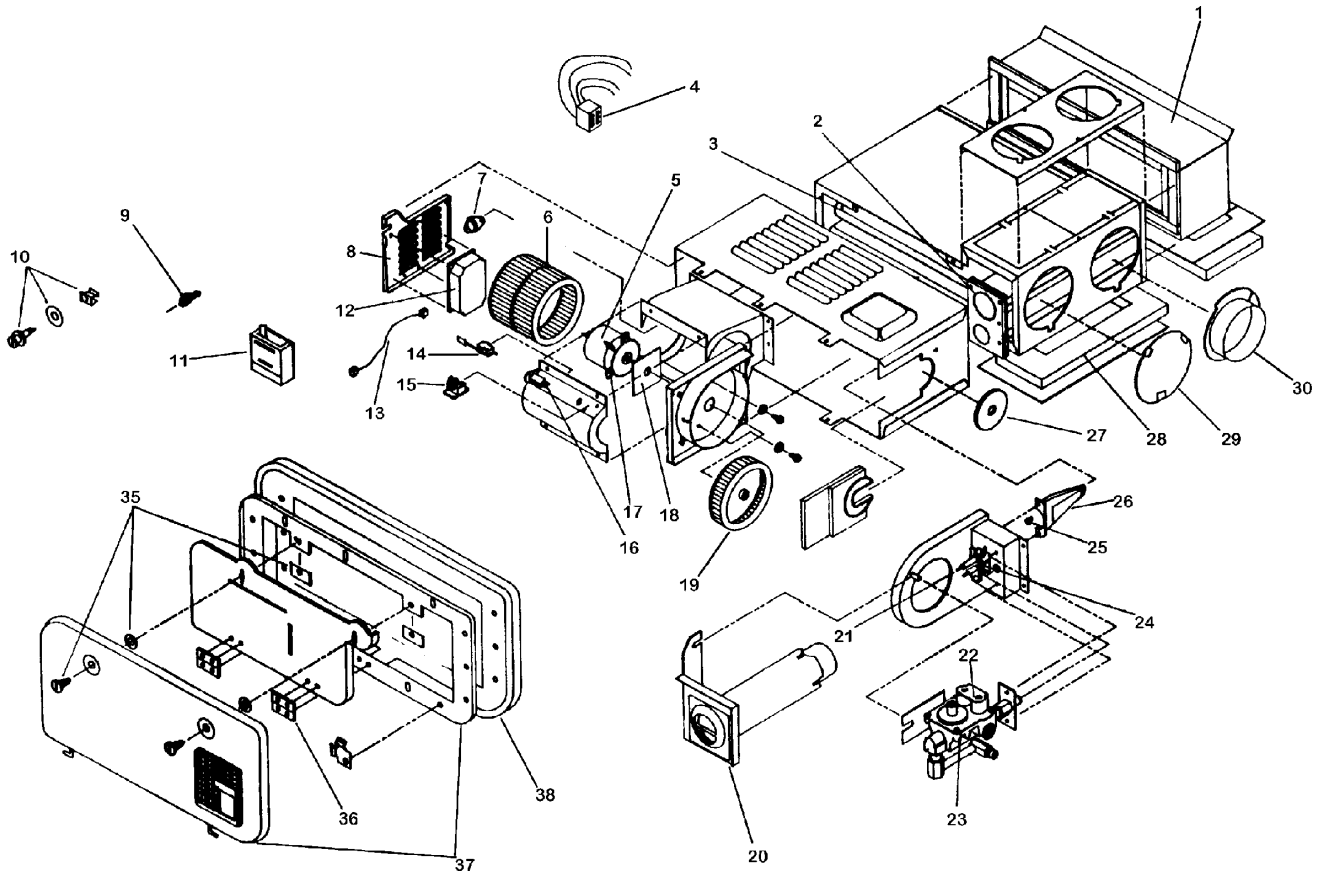


Figure 1.

27P1170
Fmace.PCX
Rev. 07/98

Models 8516II & 8535II

27P1170

Furnace Assembly

Item#	Part Number	Qty	UM	Description	Start
	P057619			FURNACE, FRONT, 16000 BTU HYDROFLAME MODEL 8516 II	3321
00A	P057618			FURNACE, REAR, 35000 BTU HYDROFLAME MODEL 8535 II	3321
01	3150	1	EA	HOUSING, FURNACE END	3321
02	2926	1	EA	GASKET, ELEMENT, FURNACE	3321
03	3645	1	EA	HEATING ELEMENT, FURNACE, 8516II	3321
03A	3792	1	EA	HEATING ELEMENT, FURNACE, 8535II	3321
04	3649	1	EA	FIELD HOOK-UP, FURNACE	3321
05	3219	1	EA	MOTOR, FURNACE BLOWER, 8516 II	3321
05A	3589	1	EA	MOTOR, BLOWER, FURNACE, 8535II	3321
06	3619	1	EA	BLOWER WHEEL, FURNACE, 8516 II	3321
06A	3618	1	EA	BLOWER WHEEL, FURNACE, 8535 II	3321
07	5132	1	EA	SWITCH, LIMIT/FAN, 130 DEGREE	3321
08	3686	1	EA	BRACKET, DSI BOARD, FURNACE	3321
09	3679	1	EA	FASTENER, INNER DOOR, FURNACE	3321
10	3774	2	EA	DOOR CATCH ASSEMBLY, FURNACE	3321
11	1030	1	EA	THERMOSTAT, WALL MOUNT, FURNACE	3321
12	3802	1	EA	DSI BOARD (BRAIN), FURNACE	3321
13	3661	1	EA	LEAD, HIGH TENSION, FURNACE	3321
14	1019	1	EA	SWITCH, SAIL, FURNACE	3321
15	1017	1	EA	RELAY, KLIXON, FURNACE	3321
16	1028	1	EA	BREAKER, 5 AMP, FURNACE 8516II	3321
16A	3590	1	EA	BREAKER, 10 AMP, FURNACE 8535 II	3321
17	2870	1	EA	BRACKET, MOTOR, FURNACE	3321
18	2841	1	EA	GASKET, MOTOR, FURNACE	3321
19	2777	1	EA	COMBUSTION WHEEL, FURNACE	3321
20	3650	1	EA	DRAFT CAP ASSEMBLY, FURNACE	3321
21	3678	1	EA	ELECTRODE, FURNACE IGNITION	3321
22	3475	1	EA	COIL, DC, GAS VALVE	3321
23	3337	1	EA	VALVE, GAS, FURNACE	3321
24	2172	1	EA	GASKET, ELECTRODE, FURNACE	3321
25	1257	1	EA	ORIFICE, BURNER, FURNACE 8516 II	3321
25A	2285	1	EA	ORIFICE, BURNER, FURNACE 8535 II	3321
26	3842	1	EA	BURNER HEAD, FURNACE, 8516 II	3321
26A	2811	1	EA	BURNER HEAD, FURNACE 8535 II	3321
27	3562	1	EA	PLUG, GAS INLET, FURNACE	3321
28	2897	1	EA	GASKET, BOTTOM DISCHARGE	3321
29	1361		EA	COVER PLATE, DUCT, FURNACE	3321
30	1474		EA	INLET RING, FURNACE PLENUM	3321
35	3847	1	EA	DOOR CATCH, FURNACE	3321
36	3620	1	EA	HINGE, INNER DOOR, FURNACE	3321
37	P057620	1	EA	DOOR, FURNACE, OUTSIDE	4260
38	P30577	1	EA	BEZEL, RECESSED, FURNACE	3756

SIDEWALL ASSEMBLY, PASSENGER

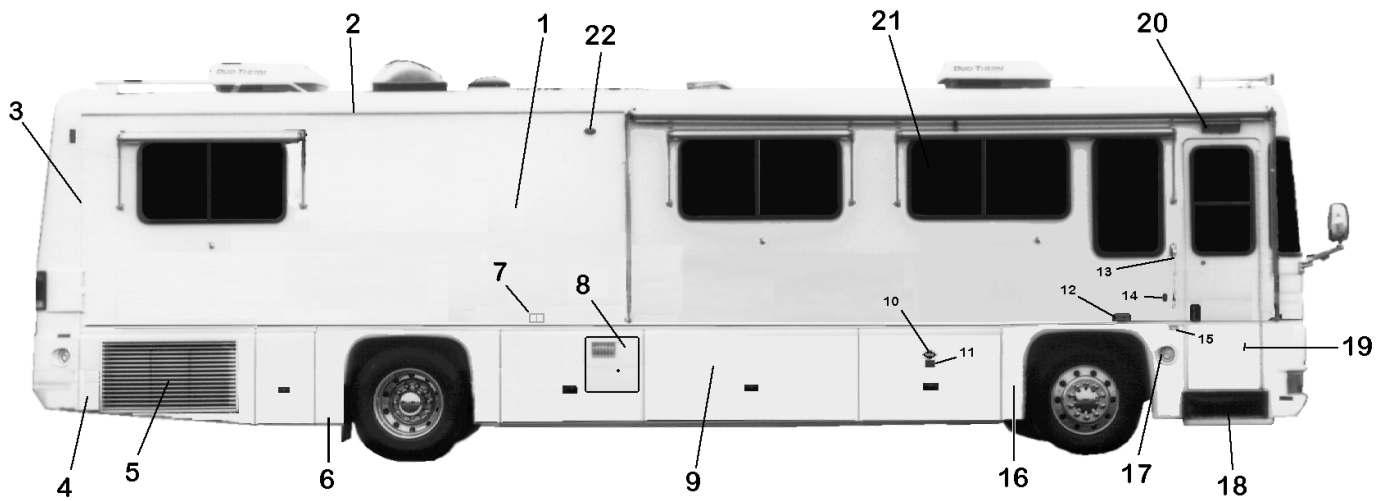


Figure 1.

27P1215
1215-Psw.PCX
Rev. 07/98

Sidewall Parts, Passenger

27P1215

Passenger Sidewall Assembly

Item#	Part Number	Qty	UM	Description	Start
01	P25733	1	EA	SIDEWALL FIBERGLASS, 34'	5102
01A	P38993	1	EA	SIDEWALL FIBERGLASS, 36'	4470
01B	P35748	1	EA	SIDEWALL FIBERGLASS, 40'	4558
02	P37456	1	EA	RADIUS, ROOF, 388" (34')	3321
02A	P39002	1	EA	RADIUS, ROOF, 408" (36')	3321
02B	P35036	1	EA	RADIUS, ROOF, 456" (40')	4425
03	P018002		EA	TRIM, EXTERIOR, WHITE ALUM, 10'	3321
04	P39827	1	EA	PANEL, KICK-UP, RH, FIBERGLASS	4996
05	P39829	1	EA	GRILL, FIXED, RADIATOR, RH	4790
06	P34482	1	EA	EYEBROW, REAR, FIBERGLASS	3614
07	CD-110	1	EA	RECEPTACLE, TELEPHONE/TV OUTSIDE (WEATHERPROOF)	3321
08	P51521	1	EA	DOOR, WATER HEATER, OUTSIDE	5387
08A	P51522	1	EA	BEZEL, RECESSED, WATER HEATER DOOR	5387
09	NOTE1130			SEE GROUP 1130: COMP. DOORS	
10	P30910	1	EA	LABEL, "PROPANE" - DIAMOND	3784
11	P2453	1	EA	LABEL WARNING, GAS PIPING"	3321
12	P6231	1	EA	LIGHT, SIDE TURN SIGNAL, AMBER	3584
12A	3057	1	EA	BULB, 12V, TURN SIGNAL	3321
13	P02121	1	EA	HANDLE, LIGHTED ASSIST	3321
14	P2855	1	EA	LABEL, RVIA SEAL	3395
15	P06384	1	EA	LABEL, "DRIVER,CHECK ALL LUGS"	3321
16	P50035	1	EA	EYEBROW, FRONT, RH, FIBERGLASS	5365
17	P39800	2	EA	LIGHT, DOCKING, U270 ONLY	4754
17A	H7614	2	EA	BULB, DOCKING LIGHT,12V,SEALED	3322
18	NOTE1280			SEE GROUP 1280: STEP ASSEMBLY	
19	NOTE1230			SEE GROUP 1230: ENTRY DOOR ASSY.	
20	NOTE1270			SEE GROUP 1270: PORCH LIGHT	
21	NOTE1120			SEE GROUP 1120: WINDOWS	
22	P35024	1	EA	LIGHT, CLEARANCE, AMBER	4389

ENTRY DOOR ASSEMBLY

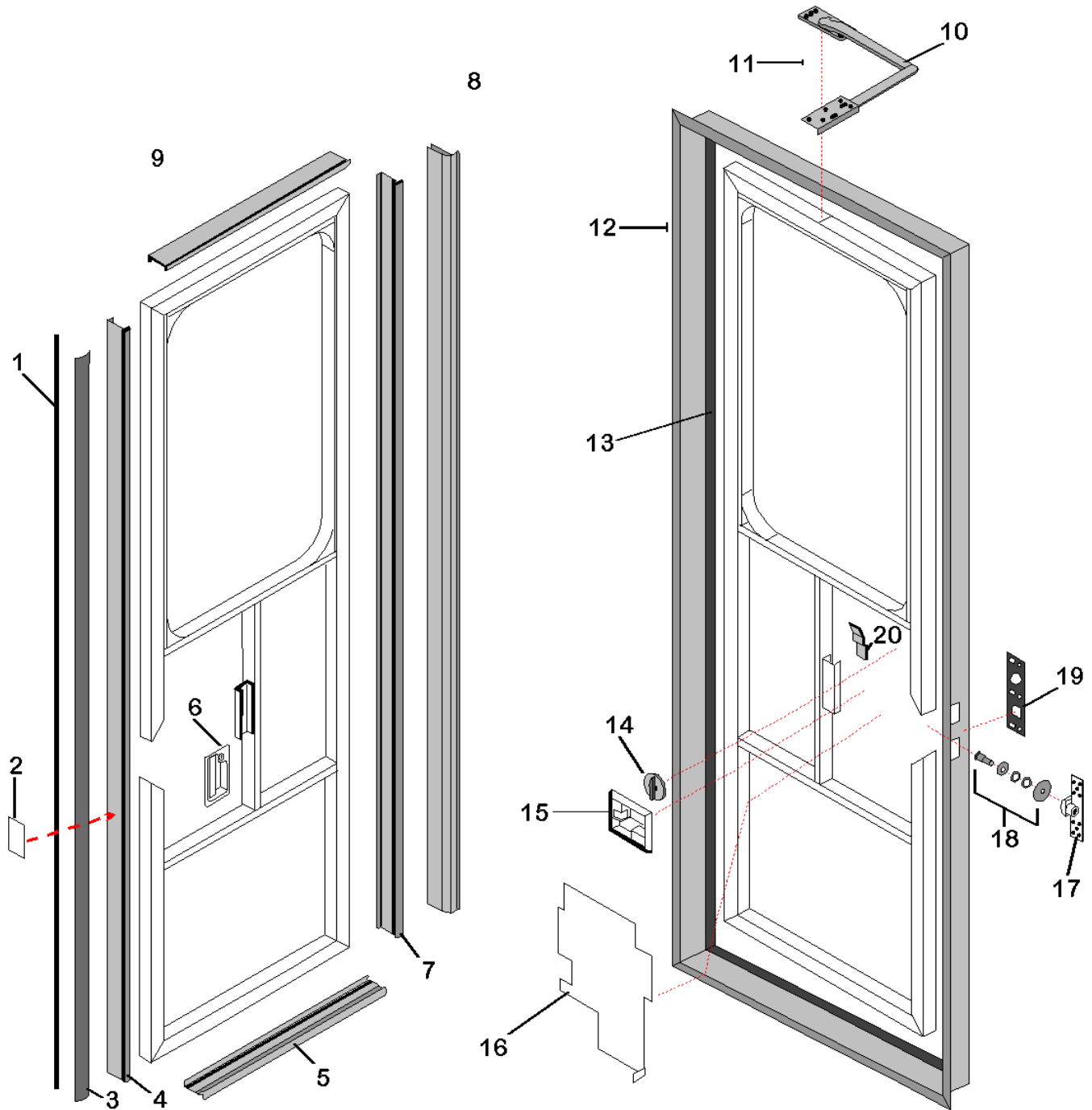


Figure 1.

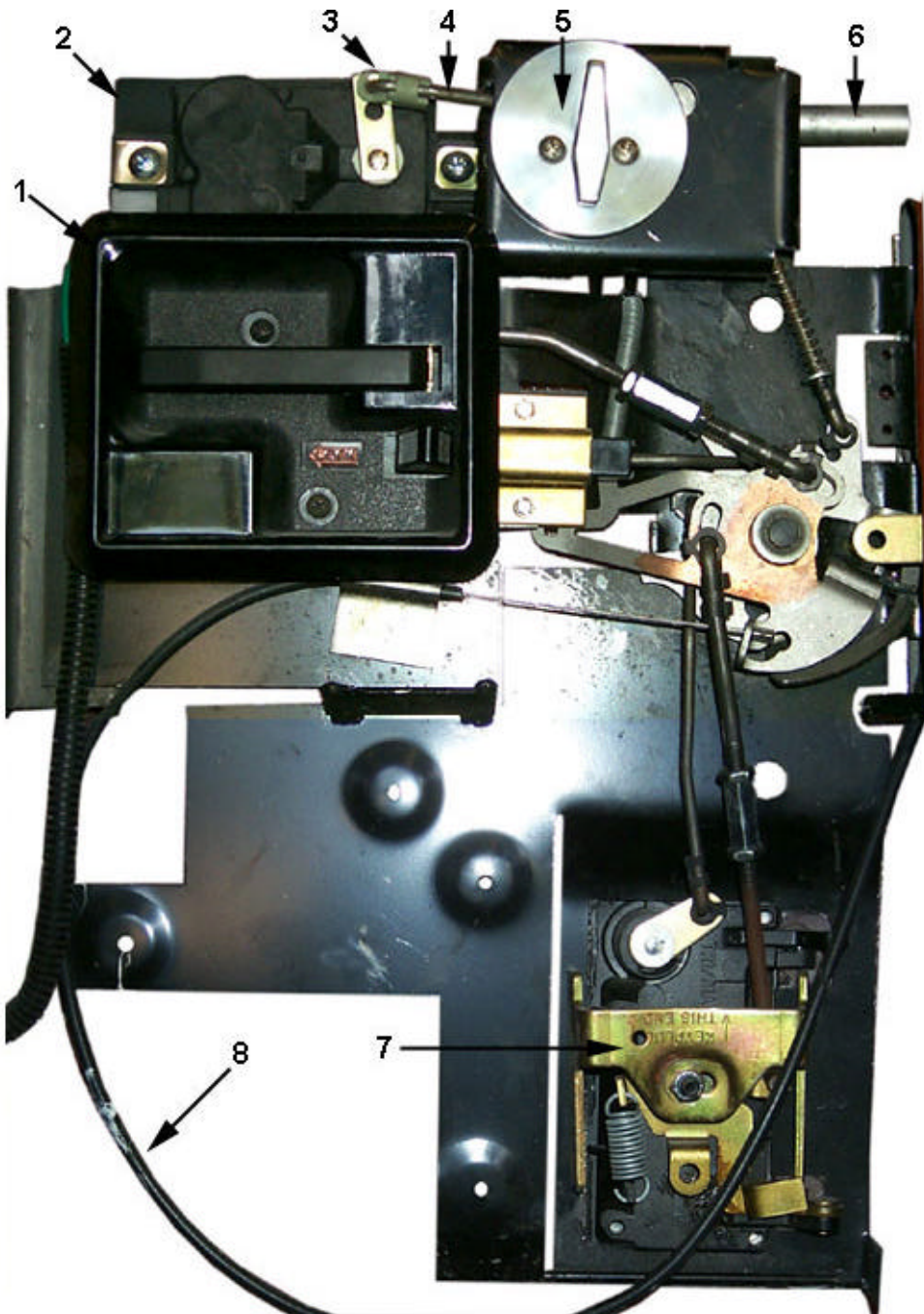
Entry Door Only

27P1230

Entry Door Assembly

Item#	Part Number	Qty	UM	Description	Start
	P29419			DOOR ASSEMBLY, COACH ENTRY	5387
00A	P27073	1	EA	ACTUATOR KIT, PTL, DEAD-BOLT	5387
01	023-002	20	FT	SPLINE, FOR P.V.C. SEAL	4959
02	033-050	1	EA	LABEL, DOOR	4959
03	007-154	1	EA	SEAL, P.V.C., WELDED (WHITE)	5387
04	003-513	1	EA	TRIM, ALUMINUM, LATCH SIDE	4959
05	003-515	2	EA	TRIM, ALUMINUM, TOP & BOTTOM	5387
06	009-037	1	EA	HANDLE, LOWER OUTSIDE W/ KEYS	5387
07	003-512	1	EA	TRIM, ALUMINUM, HINGE SIDE	4959
08	005-103	1	EA	HINGE, PIANO-TYPE, CLIPPED	4959
09	003-511	2	EA	TRIM, ALUMINUM, TOP & BOTTOM	4959
10	001-507	2	EA	ARMS ONLY, DOOR RETAINER	4959
10A	015-001	1	EA	CABLE W/ ENDS, DOOR RETAINER	4959
11	001-501	1	KT	POS-A-LOC DOOR RETAINER, COMPLETE	4959
12	003-508	1	EA	JAMB, ALUMINUM	5387
13	007-006	20	FT	SEAL, CLIP EDGE	4959
14	009-022	1	EA	LOCK, DEAD-BOLT ASSEMBLY	5387
15	009-033	1	KT	LATCH ASSEMBLY, UPPER-INSIDE HANDLE	4959
15A	009-152	1	EA	BEZEL, UPPER-INSIDE LATCH	4959
16	009-017	1	KT	LOCK MODULE, SUPPORT, & PTL LATCH	5387
17	009-040	1	EA	RETAINER, ADJUSTABLE, DOOR JAMB STRIKER BOLT	4959
18	009-031	1	KT	STRIKER BOLT W/ WASHERS	4959
19	009-008	1	EA	BOX & PLATE, DEAD-BOLT	5387
20	019-010	1	EA	LATCH PLATE, SCREEN DOOR	4959

Module Assembly, Entry Door Latch



\\05 Pictures\group 1000\Group-1235-Module-Assembly.jpg

27P1235

Module Assembly, Entry Door Latch

7/23/2004

Item #	Part Number	Qty	UM	Description	Start
00	009-070		EA	KIT, LOCK MODULE W/ PTL LATCH & DEADBOLT, ENTRY DOOR	5900
01	009-033	1	KT	LATCH ASSEMBLY, UPPER-INSIDE HANDLE	4959
01A	009-152	1	EA	BEZEL, UPPER-INSIDE LATCH	4959
02	027-016	1	EA	ACTUATOR, LEFT HAND	5387
03	009-061	2	EA	ROD CLIP, LH	4959
04	009-132	1	EA	ROD, ACTUATOR TO DEADBOLT	4959
05	009-056	1	EA	LOCK, DEAD-BOLT ASSEMBLY (same lock superceded from 009-022)	5387
06	009-026	1	EA	SHAFT ASSEMBLY, DEADBOLT	4959
07	009-039	1	EA	HANDLE, LOWER OUTSIDE W/ PLUG, ENTRY DOOR	5900
08	015-037	1	EA	CABLE, DOOR MODULE	4959

SCREEN DOOR ASSEMBLY for ENTRY DOOR

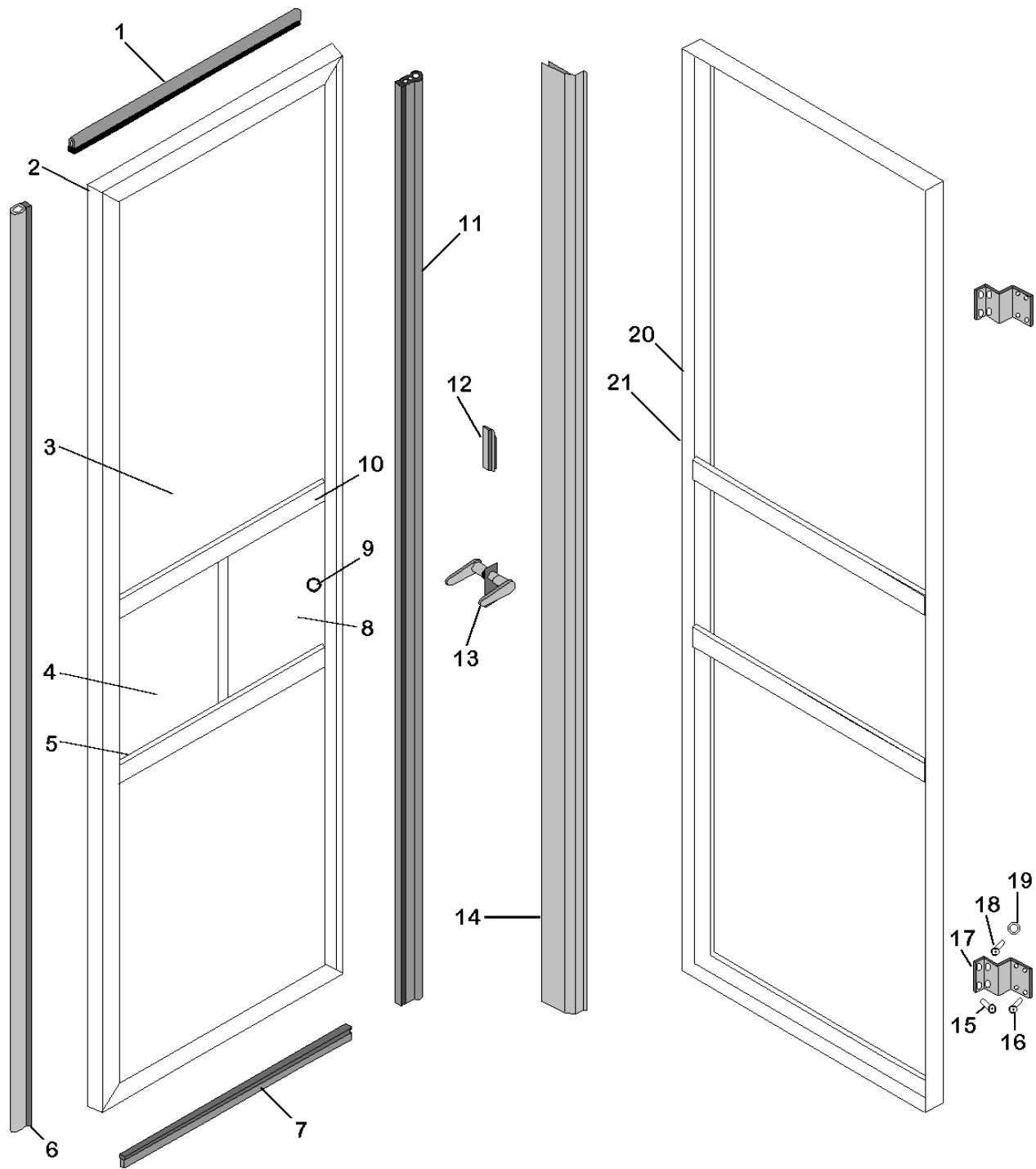


Figure 1.

27P1238
1238Scrn.PCX
Rev. 05/98

Screen Door Only

27P1238

Screen Door Assembly for Entry Door

Item#	Part Number	Qty	UM	Description	Start
	P29419			DOOR ASSEMBLY, COACH ENTRY	5387
01	007-002	20	FT	SEAL, BULB EDGE	4959
02	003-509	1	EA	FRAME, SCREEN DOOR	5387
03	023-010	6	FT	SCREEN MATERIAL, FIBERGLASS	4959
04	023-021	1	EA	GLASS, STATIONARY, TEMPERED	5387
05	007-025	1	EA	GLIDE, FELT, 3/4" X 13"	4959
06	007-002	20	FT	SEAL, BULB EDGE	4959
07	007-002	20	FT	SEAL, BULB EDGE	4959
08	023-022	1	EA	GLASS, SLIDER W/ HOLE, TEMPERED	5387
09	019-018	1	EA	KNOB AND SCREW, BLACK	4959
10	035-011	1	EA	SUPPORT, PLASTIC CHANNEL SLIDER	4959
11	007-004	6	FT	SEAL, BULB EDGE (LATCH SIDE)	4959
12	019-030	1	EA	CATCH, INSIDE, PLASTIC	4959
13	019-004	1	EA	HANDLE ASSEMBLY, SCREEN DOOR	4959
14	007-135	1	KT	SEAL KIT, SCREEN DOOR	5387
15	011-030	4	EA	BOLT, 10-32 X 1"	4959
16	011-053	8	EA	SCREW, 8-32 X 1/4"	4959
17	005-030	2	EA	HINGE, SCREEN DOOR	4959
18	011-029	4	EA	BOLT, 10-32 X 1/2"	4959
19	011-028	8	EA	LOCKNUT, 10-32	4959
20	023-001	20	FT	SPLINE, SCREEN	4959
21	007-050	20	FT	COVER, SPLINE	4959

PORCH LIGHT ASSEMBLY U270

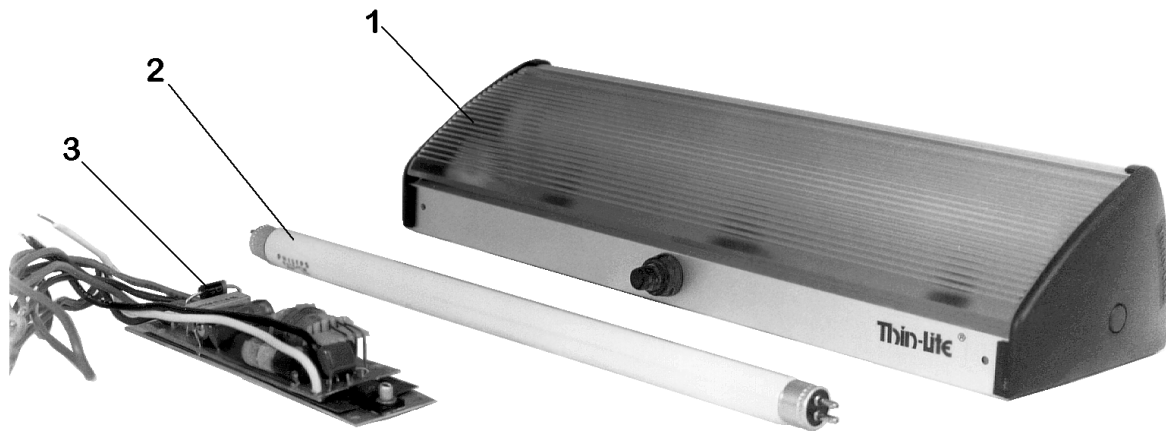


Figure 1.

27P1270
THN-LT-1.PCX
Rev. 03-96

Porch Light Assembly

27P1270

Porch Light Assembly

Item#	Part Number	Qty	UM	Description	Start
	#162				
	066111				
01	D-162-A	1	EA	LIGHT ASSEMBLY, PORCH	3321
02	BF8T5/CW	2	EA	LENS, DIFFUSER, AMBER	3321
03	IB-162	1	EA	FLUORESCENT TUBE, 12 8 WATT	3321
				BALLAST, PORCH LIGHT	3321

STEP ASSEMBLY for ENTRY DOOR

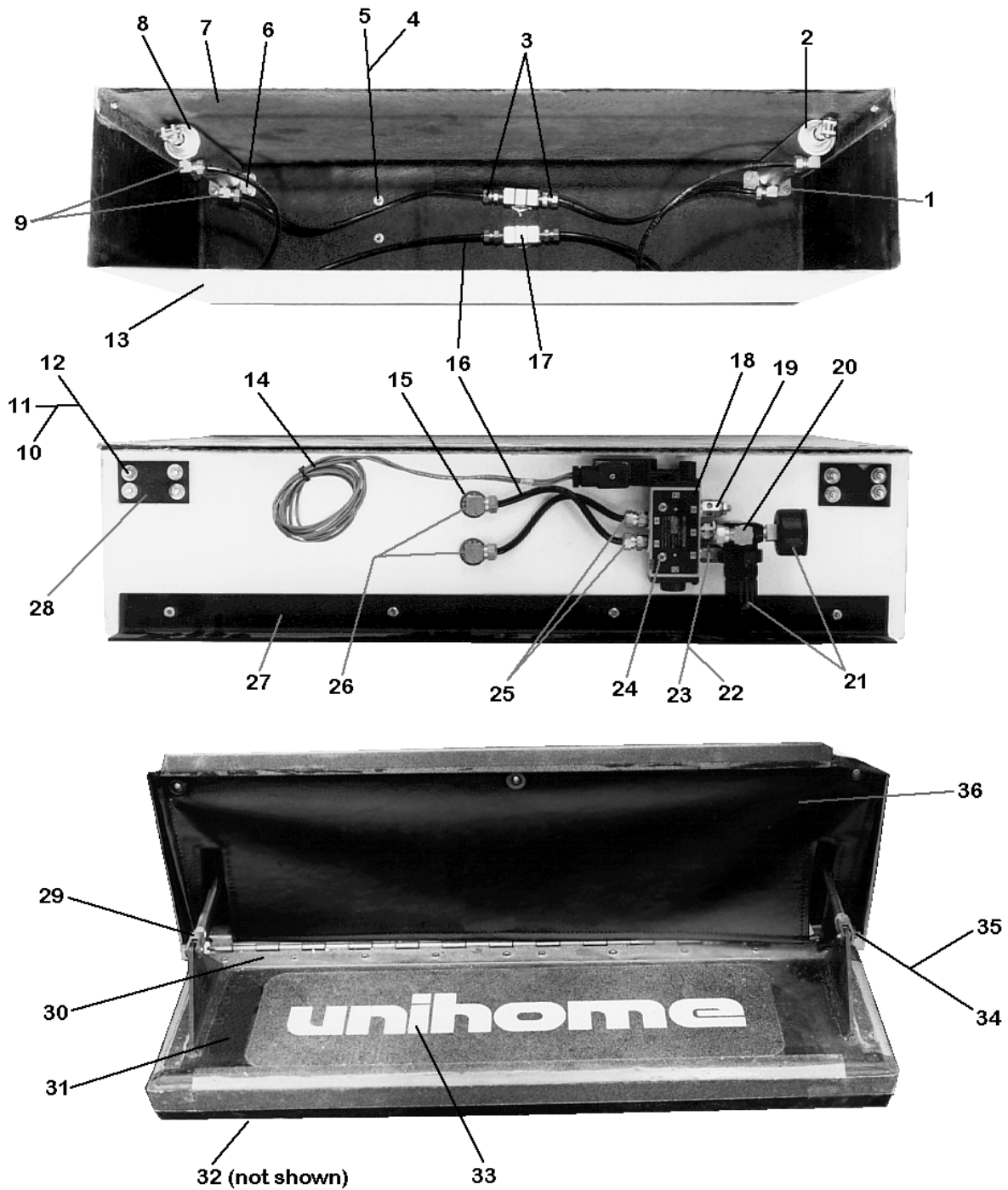


Figure 1.

27P1280
28Step.PCX
Rev. 05/98

27P1280

Step Assembly for Entry Door

Item#	Part Number	Qty	UM	Description	Start
	P50032			STEP ASSEMBLY, COACH ENTRY, 99	5387
01	P6725	20519	2	EA BRACKET, AIR CYLINDER	4590
02	P6724	0418-1209-080	2	EA AIR CYLINDER, STEP	3652
03	P7000256		10	EA FITTING, BRASS ADAPTER 1/4" TUBE X 1/4" MPT	
04	P05336	SAE8FWZ	4	EA WASHER, SAE FLAT, #8	3321
05	P04941	FHN8CZ	4	EA NUT, HEX, #8-32	3321
06	P6725	20519	2	EA BRACKET, AIR CYLINDER	4590
07	P50034	A7232	1	EA LID, AIR STEP BOX (FIBERGLASS)	5387
08	P6724	0418-1209-080	2	EA AIR CYLINDER, STEP	3652
09	P0757051		4	EA FITTING, BRASS ELBOW, 90 DEG 1/4" TUBE X 1/8" MPT	
10	P0531010		20	EA WASHER, FLAT, 3/16"	3321
11	P32349		8	EA SCREW, MACHINE, HEX HEAD #10-24 X 1"	4403
12	P049401	10CZ	8	EA NUT, HEX, #10-24	3321
13	P50033	A7231	1	EA BOX, AIR STEP (FIBERGLASS)	5387
14	P3573		2	EA WIRE, H, AIR STEP	3392
15	P7000457		2	EA WASHER, INTERNAL LOCK, 9/16"	3336
16	P08059		2	FT TUBING, DOT, 1/4" NYLON, BULK	
17	P077505		3	EA FITTING, BRASS TEE, 1/4" FPT	3321
18	P2717	MK01CEA35AGNA	2	EA VALVE, AIR SOLENOID, 12VDC	3392
19	P2718	ASP-25CU	4	EA MUFFLER, SPEED CONTROL	3392
20	P0757050		3	EA FITTING, ELBOW, 1/4T X 1/4MPT, 90D	
21	P2719	R07-200-RGKA	2	EA (K1) KIT, AIR REGULATOR W/ GAUGE	3348
22	P075808		2	EA FITTING, BRASS ELBOW 90 DEG ST 1/4"	
23	P0775051		3	EA FITTING, BRASS NIPPLE, 1/4" HEX	5070
24	P2814		4	EA SCREW, MACHINE, #8-32 X 1 3/4"	3392
25	P7000256		6	EA FITTING, BRASS ADAPTER 1/4" TUBE X 1/4" MPT	
26	P0757050		3	EA FITTING, ELBOW, 1/4T X 1/4MPT, 90D	
27	P6991	A3866	1	EA BRACKET, ANGLE, AIR STEP	3392
28	P30457	A4823	2	EA BACKING PLATE, AIR STEP	3392
29	P6726	20518	2	EA CLEVIS, AIR STEP CYLINDER ROD	4590
30	P2708	1075-SS	1	EA HINGE, 27 AIR STEP	3392
31	P50029		1	EA PLATFORM ASSEMBLY, AIR STEP	5387
32	P50030	A7229	1	EA COVER, AIR STEP PLATFORM (FIBERGLASS)	5387
33	P31311	F7427A	1	EA DECAL, SAFETY STEP, "UNIHOME"	3853
34	P6730	Y180-25	4	EA SNAP RING, CLEVIS PIN RETAINER	4590
35	P6729	5514	2	EA PIN, CLEVIS, 1/4" X 1"	3392
36	NOTE104		1	COVER, STEP, VINYL (SPECIFY COLOR)	

ROOF COMPONENTS

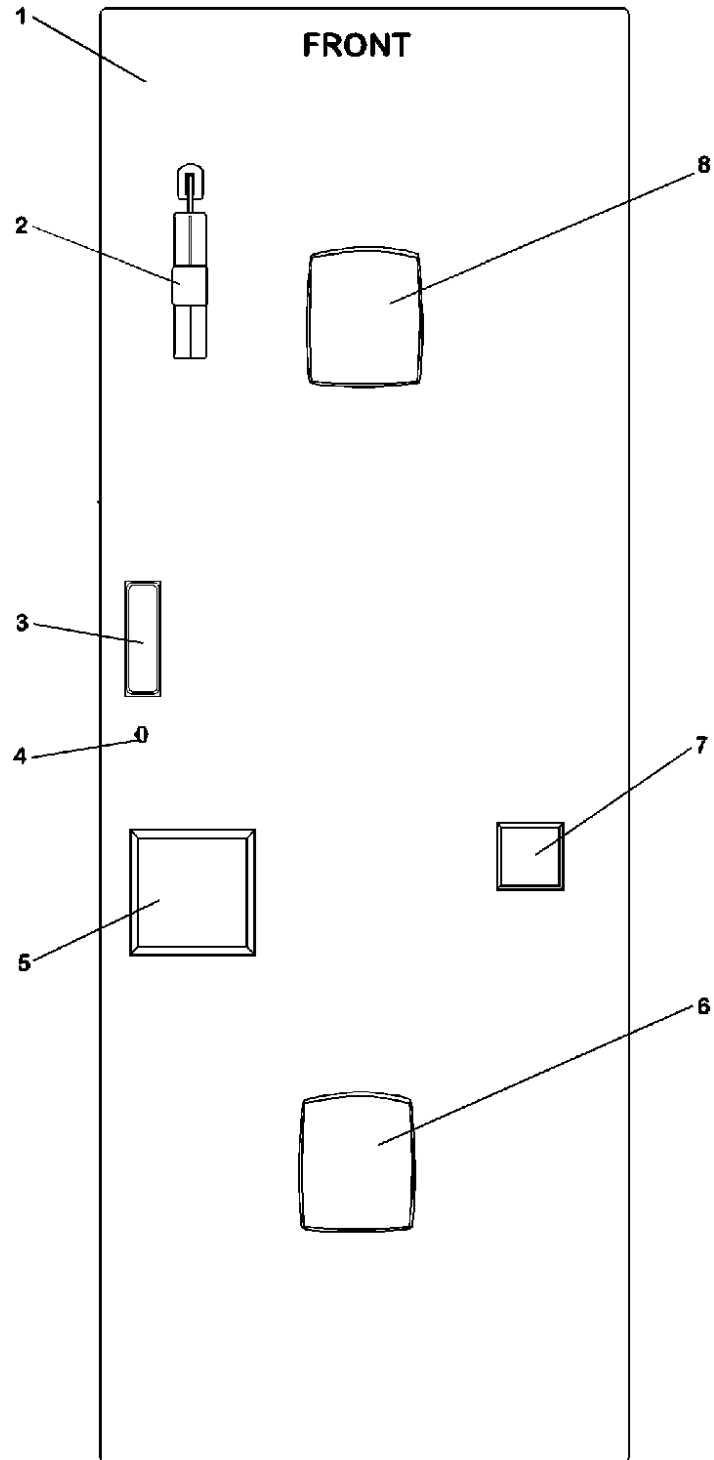


Figure 1.

27P1310

Roof Assembly

Item#	Part Number	Qty	UM	Description	Start
01	P37869			ROOF, FIBERGLASS, BUS, 102" X 36'	4470
01A	P35747			ROOF, FIBERGLASS, BUS, 102" X 40'	4470
01B	P25732			ROOF, FIBERGLASS, 102" X 34'	5102
02	P093603	RV-7090	1	EA ANTENNA, TV, CRANK-UP, SOLID- STATE	3321
03	3103634.022	P083201	1	EA CAP, REFRIGERATOR ROOF VENT	3428
03A	P083202	3103633.024	1	EA BASE, REFRIGERATOR ROOF VENT	3428
04	P081402		1	EA VENT, SEWER, ROOF	3321
05	P09545	ES2828DBBL	1	EA SKYLIGHT ASSEMBLY, 28" X 28"	3358
06	NOTE58		1	ROOF A/C: SEE DOMETIC PARTS MANUAL FOR PARTS	
07	P21672	4000DD-LB	1	EA VENT FAN ASSEMBLY, ROOF MOUNT	5135
08	NOTE58		2	ROOF A/C: SEE DOMETIC PARTS MANUAL FOR PARTS	

VENT FAN, BATH, U270

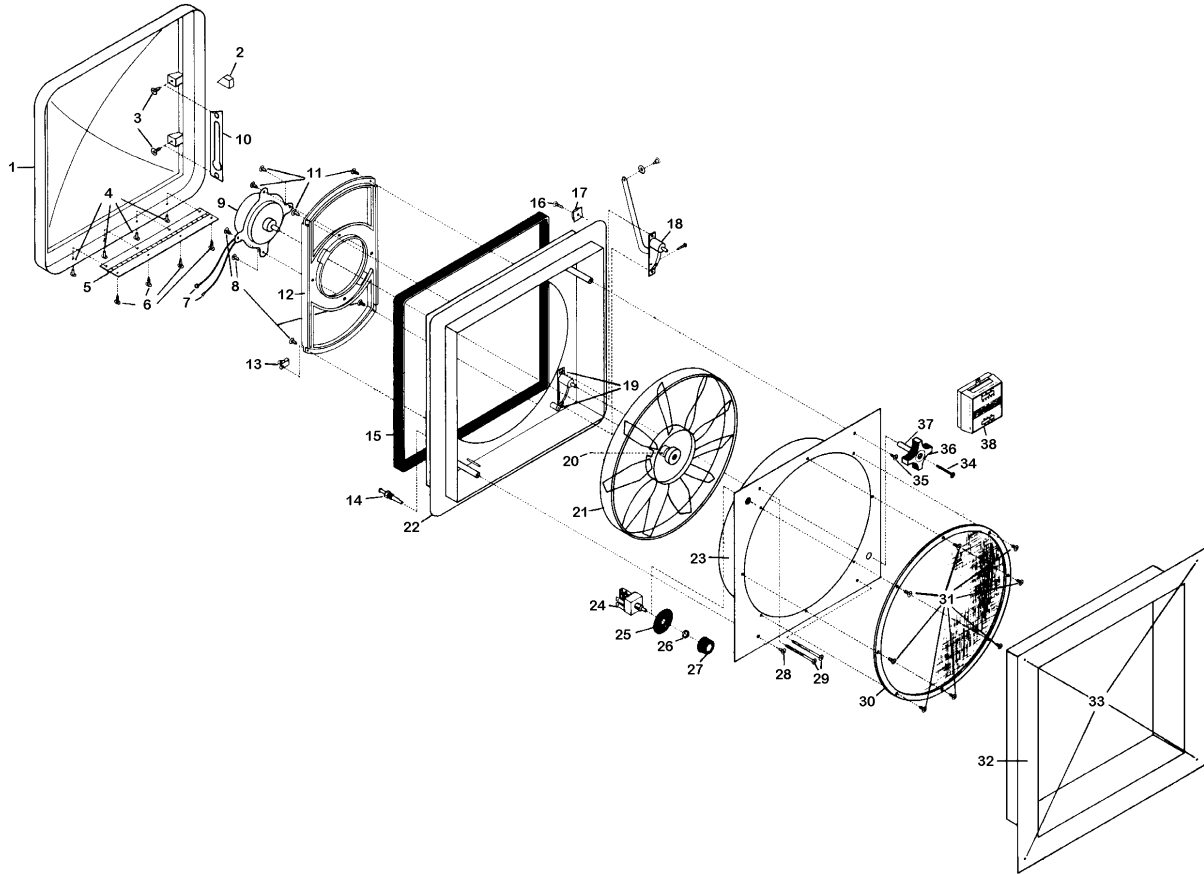


Figure 1.

27P1360-1
Fantas-1.PCX
Rev. 05/15/97

Bath Vent Fan

27P1360-1

Bath Vent Fan

Item#	Part Number	Qty	UM	Description	Start
	P21672			4000DD-LB	
			EA	VENT FAN ASSEMBLY, ROOF MOUNT	5135
01	1020-19	1	EA	DOME, SMOKE	3332
02	2018-81	4	EA	WEDGE, DOME, WHITE NYLON	3321
03	1016-05	10	EA	SCREW, #8 X 1/2" PAN HEAD	3321
04	1022-05	4	EA	RIVET, 5/32" X 1/4" X 5/16"	3321
05	1021-05	1	EA	HINGE, ALUMINUM, #1260A	3321
06	1016-05	10	EA	SCREW, #8 X 1/2" PAN HEAD	3321
07	1121-05	2	EA	CONNECTOR, RING TERMINAL	3321
08	1016-05	10	EA	SCREW, #8 X 1/2" PAN HEAD	3321
09	4017-09	1	EA	MOTOR, 12 VOLT, 1600 RPM	3332
10	1023-05	1	EA	SLIDE, DOME, GALVANIZED	3321
11	1016-05	10	EA	SCREW, #8 X 1/2" PAN HEAD	3321
12	1015-81	1	EA	MOTOR MOUNT, "H"	3332
13	1019-81	1	EA	CLAMP, WIRE LOOM	3321
14	1122-05	1	EA	SWITCH, JAMB, #9251	3321
15	1144-09	1	EA	SEAL, MAIN BASE, EPDM	3321
16	1025-05	4	EA	SCREW, #8 X 5/8" PAN HEAD	3321
17	1024-81	4	EA	SPACER, ALIGNMENT	3321
18	2011-05	1	EA	LIFT ARM, 6"	3332
19	1012-05	2	EA	SCREW, #10 X 1/2" PAN HEAD	3321
20	NOTE105	1		SET SCREW, FAN BLADE	
21	1138-00	1	EA	FAN BLADE, 12" CLEAR	3332
22	1010-81	1	EA	BASE, MAIN, VENT FAN	3321
23	1030	1	EA	THERMOSTAT,WALL MOUNT,FURNACE	3321
24	1031-05	1	EA	3K754 SWITCH, 3-SPEED	3332
25	1033-09	1	EA	LABEL, DIAL, BLACK POLY	3321
26	1032-05	1	EA	NUT, 7/16"-28 UNEF	3321
27	1034-09	1	EA	PT-6-P KNOB, 3-SPEED SWITCH	3332
28	1038	10	EA	SCREW, #88 X 3/8" PAN HEAD	3321
29	1039	2	EA	SCREW, #8 X 2 3/4" PAN HEAD	3321
30	1035	1	EA	SCREEN RING W/ ALUMINUM WIRE	3321
31	1038	10	EA	SCREW, #88 X 3/8" PAN HEAD	3321
32	1040	1	EA	GARNISH, INTERIOR, 3" MAX.	3321
33	9010	4	EA	SCREW, #6 X 3/4" PAN HEAD	3321
34	1142-05	1	EA	SCREW, 8-32 X 1 3/4" PAN HEAD	3321
35	1038	2	EA	SCREW, #88 X 3/8" PAN HEAD	3321
36	1140-09	1	EA	1741 Z KNOB, DOME CRANK	3332
37	2143-05	1	EA	EXTENSION, 1 1/8 ZINC	3321
38	9005-39	1	EA	THERMOSTAT W/ OFF, WALL MOUNT	3321

SKYLIGHT U270

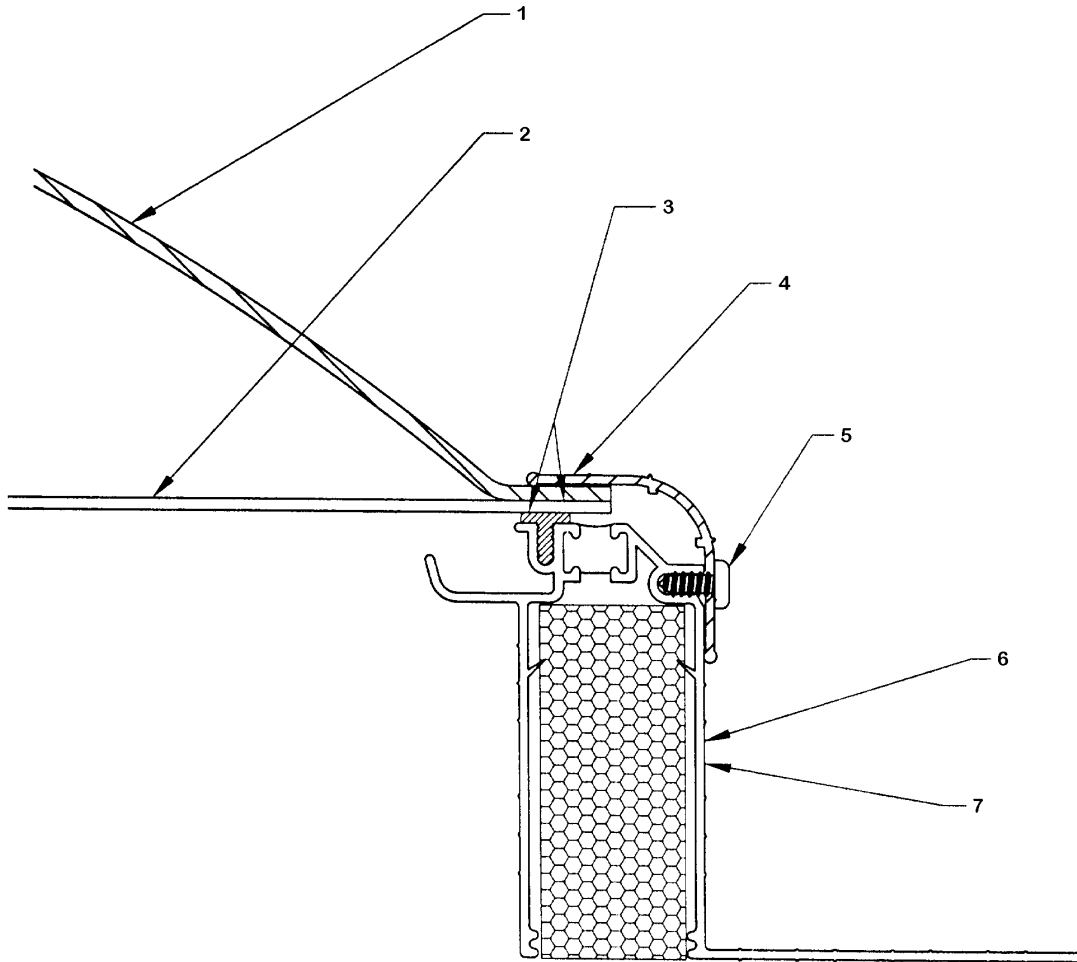


Figure 1.

27P1370
SKYLIT-1.PCX
Rev. 03-96

Skylight

27P1370

Skylight

Item#	Part Number	Qty	UM	Description	Start
	P09545			ES2828DBBL	
			EA	SKYLIGHT ASSEMBLY, 28" X 28"	3358
01	12146-001	1	EA	DOME, OUTER, SMOKE	3358
02	12141-001	1	EA	COVER, INNER, WHITE PLASTIC	3377
03	11963-000	1	EA	GASKET, SKYLIGHT	3358
04	12143-101	1	EA	RETAINER, SKYLIGHT DOME	3358
05	12083-01	12	EA	SCREW, DOME RETAINER	3358
06	12828-01	1	EA	BASE, SKYLIGHT	3358
07	11176-000	1	EA	LABEL, "O.D.L."	3358

TV ANTENNA ASSEMBLY U270

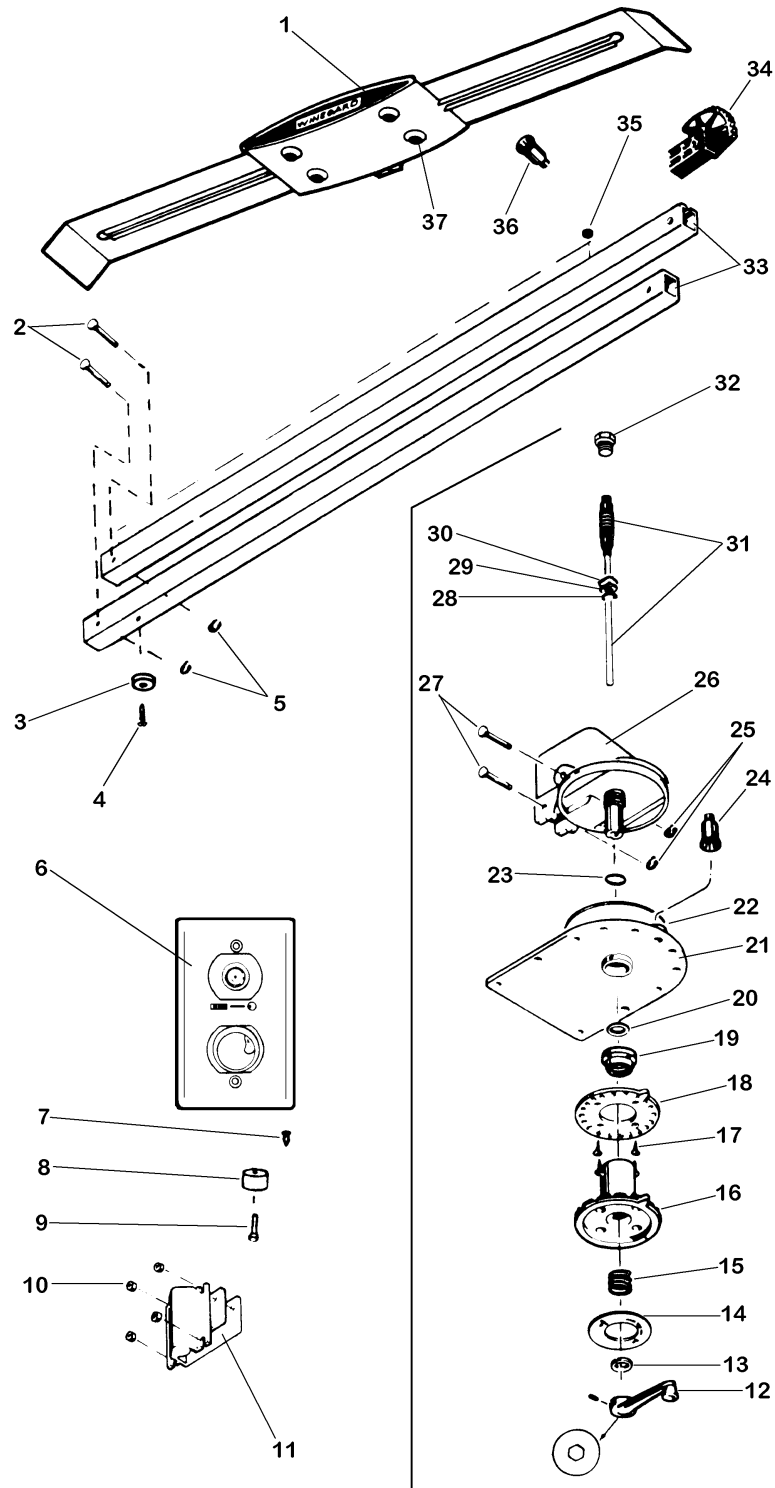


Figure 1.

27P1380

TV Antenna Assembly

Item#	Part Number	Qty	UM	Description	Start
	P093603				
	RV-7090				
01	RV-2001	1	EA	ANTENNA, TV, CRANK-UP, SOLID- STATE	3321
02	5160817	4	EA	ANTENNA HEAD ONLY, AMPLIFIED	3321
03	2240022	1	EA	PIN,STEEL,HEADED/GROOVED (K1)	3321
04	2160120	1	EA	BUMPER, RUBBER	3321
05	5160818	4	EA	SCREW, SELF-TAPPING	3321
06	RV-6011	1	EA	RING, RETAINING, SNAP (K1)	3321
07	2200073	1	EA	POWER SUPPLY, BROWN	3321
08	5240305	1	EA	PLUG, OIL, PLASTIC	3321
09	2160116	1	EA	BUMPER, RUBBER	3321
10	3200626	1	EA	SCREW, RUBBER BUMPER	3321
11	3200625	4	EA	SPACER, PLASTIC	3321
12	2750897	1	EA	MOUNT, LEVELING	3321
13	3200658	1	EA	CRANK & SET SCREW, ELEVATING (K1)	3321
14	5413002	1	EA	BEARING, NYLON (K1)	3321
15	2160822	1	EA	DECAL, DIRECTIONAL HANDLE (K1)	3321
16	3200644	1	EA	SPRING, HANDLE (K1)	3321
17	5160812	1	EA	HANDLE, DIRECTIONAL,IVORY (K1)	3321
18	3200608	4	EA	SCREW, SLOTTED FLAT HEAD,IVORY #10 X 3/4" (K1)	3321
19	2200047	1	EA	PLATE, CEILING, IVORY (K1)	3321
20	3200657	1	EA	NUT, GEAR HOUSING (K1)	3321
21	3100523	1	EA	BEARING, NYLON, 1.250" (K1)	3321
22	3200656	1	EA	HOUSING, BASE PLATE (K1)	3321
23	5240603	1	EA	BEARING, NYLON, 5" (K1)	3321
24	3200154	1	EA	SEAL,QUAD RING,1.062" ID (K1)	3321
25	5160818	2	EA	BOOT, CABLE (K1)	3321
26	2200049	4	EA	RING, RETAINING, SNAP (K1)	3321
27	5160817	1	EA	HOUSING, ROTATING GEAR (K1)	3321
28	2240026	4	EA	PIN,STEEL,HEADED/GROOVED (K1)	3321
29	2360032	1	EA	RING, RUBBER, QUAD (INCLUDED W/ 4298 SHAFT ASSEMBLY)	3321
30	2160052	1	EA	WASHER, FLAT (INCLUDED W/ 4298 SHAFT ASSEMBLY)	3321
31	RP-4000	1	EA	WASHER, WAVE (INCLUDED W/ 4298 SHAFT ASSEMBLY)	3321
32	2200045	1	EA	SHAFT ASSEMBLY, ELEVATING INCLUDES #28 - 32 (K1)	3321
33	2750900	1	EA	PLUG, GEAR HOUSING (K1)	3321
34	2200046	1	PR	ELEVATING TUBES, 36"	3321
35	2200340	1	EA	GEAR, ELEVATING, PLASTIC	3321
36	3200154	2	EA	GROMMET, PLASTIC	3321
37	2240025	2	EA	BOOT, CABLE (K1)	3321
999	SA-1001	4	EA	BUMPER, RUBBER	3321
		1	EA	(K1) KIT, BASE PLATE/ELEVATING SHAFT ASSEMBLY	3321

SOLAR CHARGER

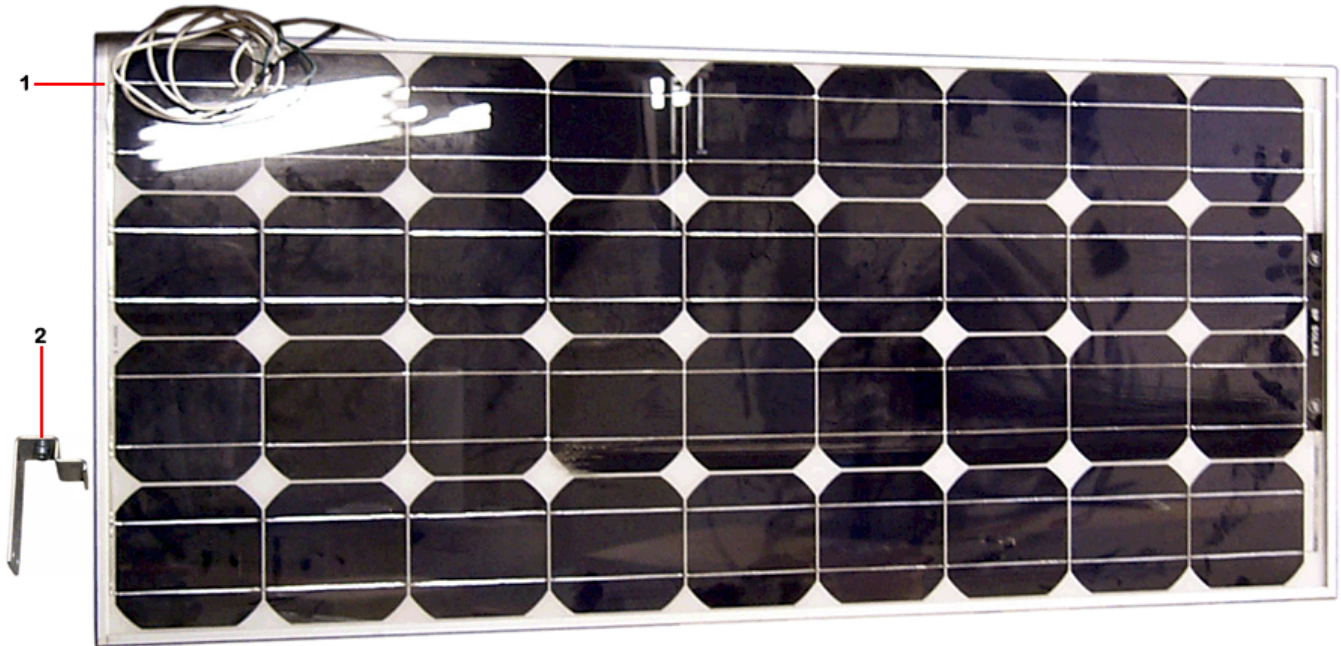


Figure 1.

Start Unit #5752

27P1390

Solar Charger Assembly (option)

Item#	Part Number	Qty	UM	Description	Start
01	P61107	1	EA	CHARGER, SOLAR, 85 WATT, BP585UL	5752
02	P61108	2	EA	MOUNT KIT, SOLAR CHARGER	5752

FRONT END CAP ASSEMBLY

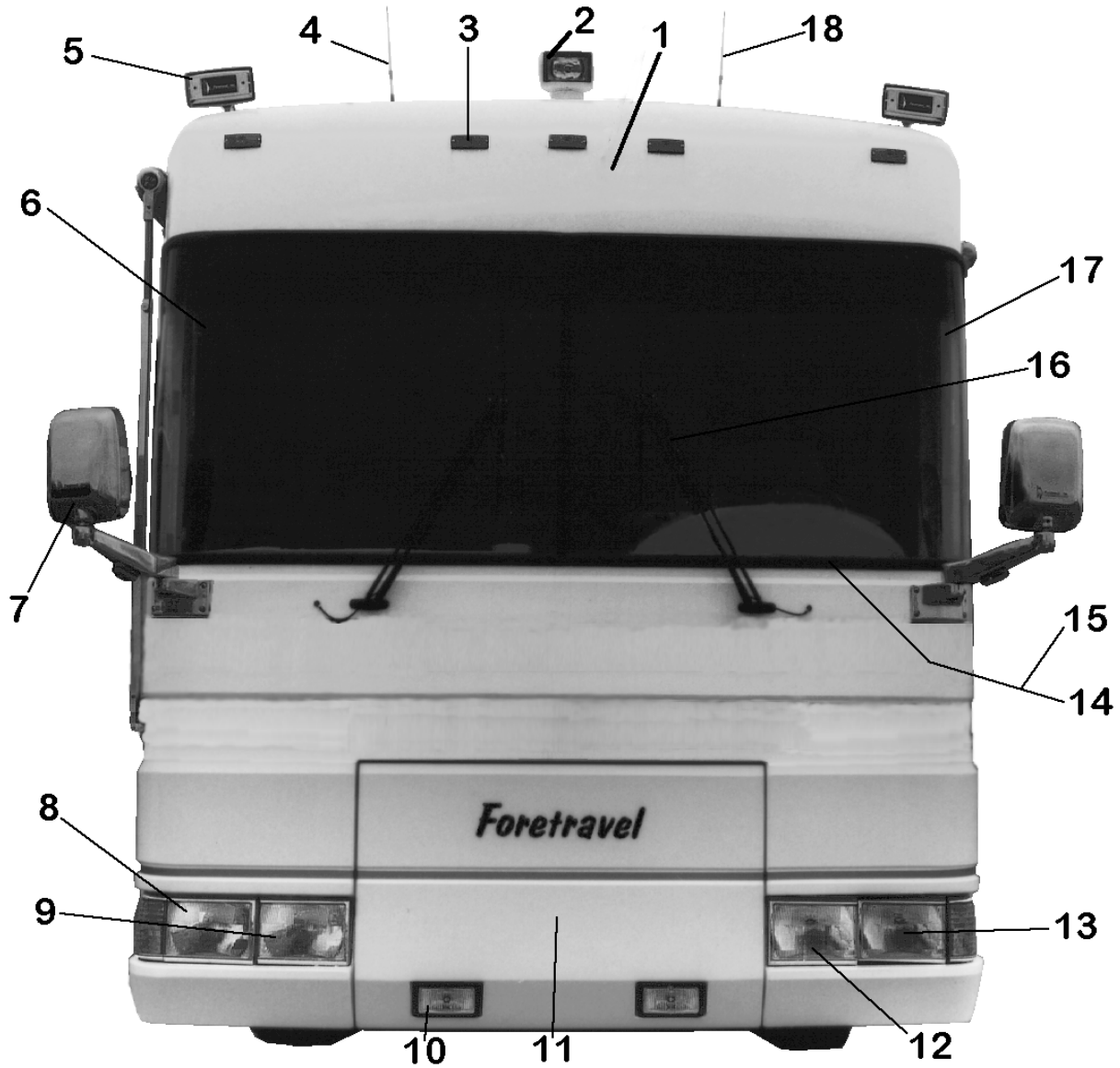


Figure 1.

Front End Cap

27P1415

Front End Cap Assembly

Item#	Part Number	Qty	UM	Description	Start
01	P50815	1	EA	END CAP, FRONT, 270/295/320	5387
02	P30562	1	EA	SEARCHLIGHT, MODEL #135SL	3750
03	P35024	5	EA	LIGHT, CLEARANCE, AMBER	4389
04	P0822217	1	EA	ANTENNA, RADIO, AM/FM	3321
04A	P0822218	1	EA	EXTENSION, RADIO ANTENNA, 144"	3321
05	P062611	1	KT	HORN SET (LESS COMPRESSOR),AIR	3322
06	P35903	1	EA	WINDSHIELD, RH (PASSENGER)	4470
07	NOTE1445			SEE GROUP 1445: FRONT MIRRORS	
08	NOTE1455	1	EA	SEE GROUP 1455: HEADLIGHT ASSEMBLY	
09	NOTE1455	1	EA	SEE GROUP 1455: HEADLIGHT ASSEMBLY	
10	P0669026	1	KT	LIGHT ASSEMBLY, DRIVING/FOG	3321
11	NOTE1470	1		SEE GROUP 1470: GENERATOR ACCESS DOOR ASSEMBLY	
12	NOTE1455	1	EA	SEE GROUP 1455: HEADLIGHT ASSEMBLY	
13	NOTE1455	1	EA	SEE GROUP 1455: HEADLIGHT ASSEMBLY	
14	P35048	1	EA	GASKET, WINDSHIELD, FORMED	4470
15	P6047	38	FT	LOCKSTRIP, WINDSHIELD GASKET	3541
16	NOTE1485	1		SEE GROUP 1485: WINDSHIELD WIPER ASSEMBLY	
17	P35902	1	EA	WINDSHIELD, LH (DRIVER)	4470
18	P30327	1	EA	ANTENNA / BASE / COAX SET CELLULAR PHONE	3773

SPOTLIGHT / SEARCHLIGHT U270

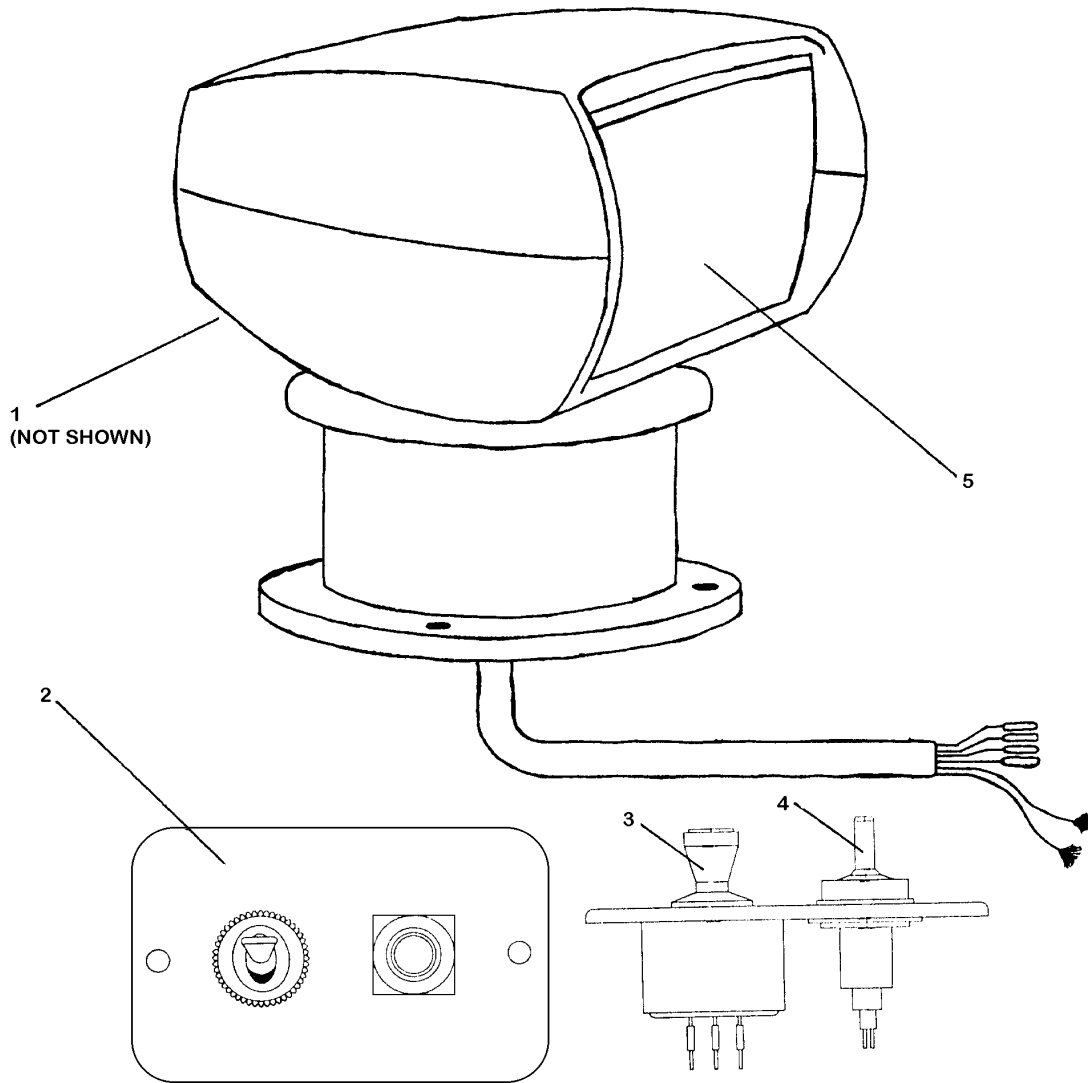


Figure 1.

27P1420
SPTLIT-1.PCX
Rev. 03-96

27P1420

Spotlight / Searchlight

Item#	Part Number	Qty	UM	Description	Start
	P30562				
	6002-40				
	EA			SEARCHLIGHT, MODEL #135SL	3750
01	18753-0350	1	EA	MOTOR, DIRECTIONAL, SEARCHLITE	3750
02	60030-0000	1	EA	PANEL, SWITCH CONTROL	3750
03	43990-0000	1	EA	SWITCH, DIRECTIONAL, 12VDC	3750
04	18753-0180	1	EA	SWITCH, ON/OFF, 12VDC	3750
05	18753-0178	1	EA	BULB, SEALED BEAM, SEARCHLIGHT	3750
	GE #H9405				

MIRROR SET, FRONT CAP MOUNT

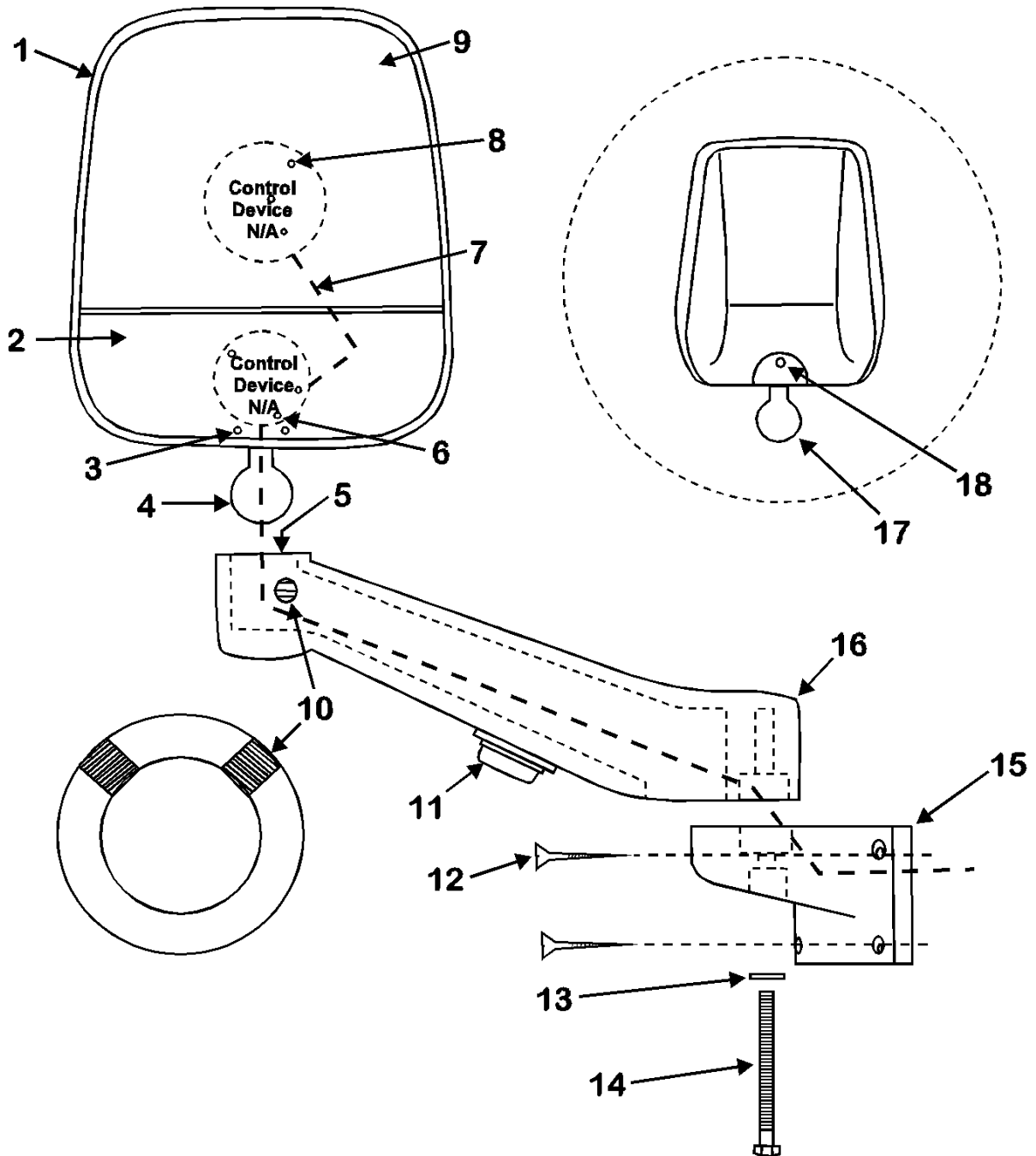


Figure 1.

27P1445

Front Cap Mirror Assembly

Item#	Part Number	Qty	UM	Description	Start
	P57440		EA	MIRROR SET, FRONT MOUNT, BLACK, LH	5788
00A	P57441		EA	MIRROR SET, FRONT MOUNT, BLACK, RH	5788
01	TX-6003PCHR	2		HEAD ONLY, SIDE MOUNT MIRROR, LEFT and RIGHT HAND (BLACK)	5788
02	SNP-GLS602H	2		GLASS, HEATED with SNAP ON SKIRT, CONVEX	5788
03	HDW182	4	EA	SCREW, PHILLIPS, #6-32 X 1/2"	3593
04	PRO314	2		BALL STEM, MIRROR MOUNT, CHROME, 3/4" X 3" with TAPER	5788
05	PRO308	4	EA	BALL CUP,ALUM HALVES,BALL STEM	4470
06	ELE337	2		MOTOR, ELECTRIC, SMALL, LOWER MIRROR ADJUST	5788
07	NOTE36			WIRING HARNESS, NOT AVAILABLE	
08	ELE330-BRA122	2		MOTOR, ELECTRIC, MEDIUM, W/ 6" X 7" ALUMINUM VELCRO PLATE	5015
09	GLS601HT-V	2	EA	GLASS, HEATED REMOTE W/ T-STAT	3593
10	HDW510	4	EA	SET SCREW,OVAL PNT,3/8-16X3/8	3593
11	ELE314	2	EA	LIGHT, TURN-SIGNAL,SUPPORT ARM	3593
11A	HDW181	4		SCREW, #6-32 X 3/4" PHILIPS HEAD, STAINLESS	5788
12	HDW167	8	EA	SCREW, SS, 5/16"-18 X 1 1/2"	4470
13	HDW843	2	EA	LOCKWASHER, 1/2 STAINLESS	3593
13A	HDW844	2		WASHER, 1/2" LOCK, STAINLESS STEEL	5788
14	HDW145	2	EA	BOLT,STAINLESS,HEX HD,1/2"X 3"	3593
15	CAS180-A-TX	1		MOUNT, MIRROR, SIDE-MOUNT, 9" RADIUS, BLACK, DRIVER SIDE	5788
15A	CAS619-TX	1		MOUNT, MIRROR, SIDE-MOUNT, 9" RADIUS, BLACK, PASSENGER SIDE	5788
16	CAS610T-TX	1		ARM, 18" with TURN-SIGNAL, BLACK, DRIVER SIDE	5788
16A	CAS618T-TX	1		ARM, 15" with TURN-SIGNAL, BLACK, PASSENGER SIDE	5788
17	PRO301	2	EA	BALL-STEM, MIRROR HEAD, ALUM	3593
18	HDW531	2	EA	SET SCREW, CUP POINT, SS 3/8"-16 X 1/2"	3593
19	ELE310	2	EA	SWITCH, MIRROR CONTROL, SQUARE	3593

HEADLIGHT ASSEMBLY

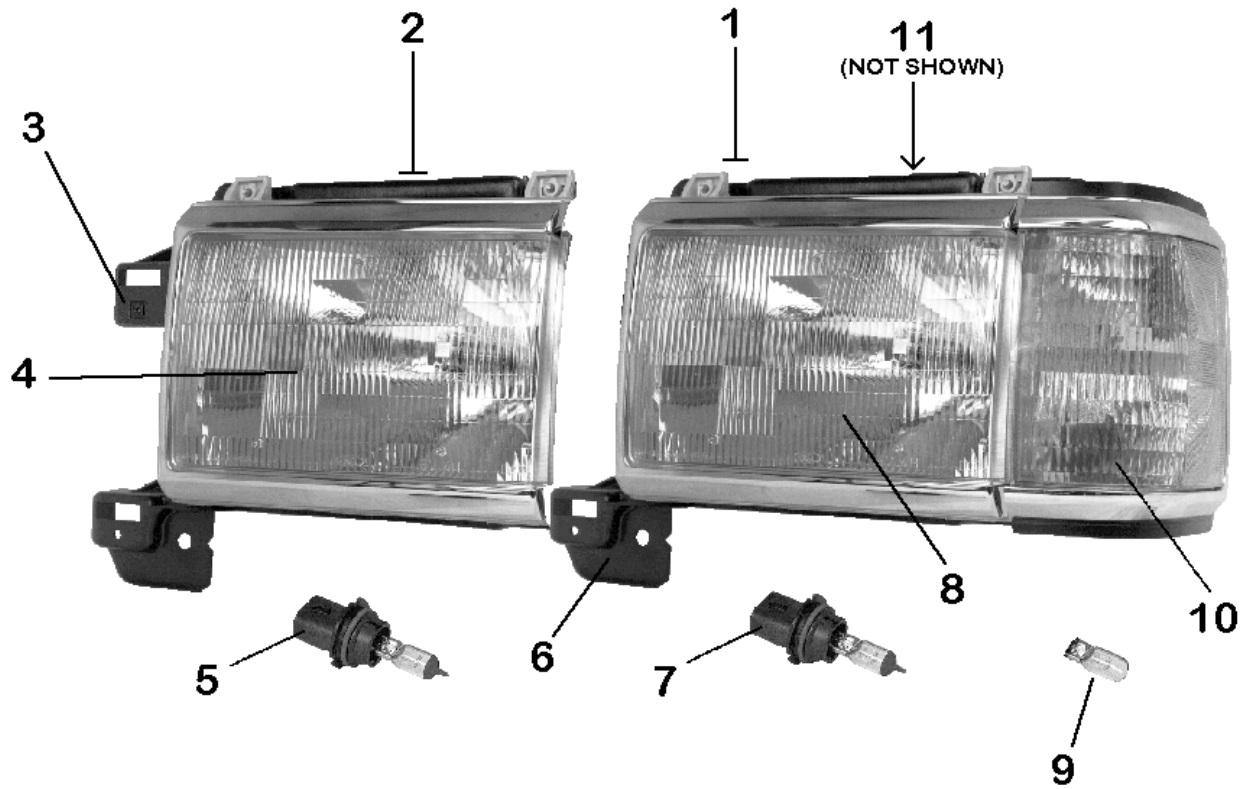


Figure 1.

Headlight / Modified

27P1455

Headlight Assembly

Item#	Part Number	Qty	UM	Description	Start
00A	P29408			HEADLIGHT ASSEMBLY, LH	4989
00B	P29409			HEADLIGHT ASSEMBLY, RH	4989
01	P29413	1	EA	HEADLIGHT, MODIFIED, LH INNER	4989
01A	P29415	1	EA	HEADLIGHT, MODIFIED, RH INNER	4989
02	P29414	1	EA	HEADLIGHT, MODIFIED, LH OUTER	4989
02A	P29416	1	EA	HEADLIGHT, MODIFIED, RH OUTER	4989
03	E7TB-13006-AB	2	EA	MOUNT ASSEMBLY, HEADLIGHT, LH	3321
03A	E7TB-13005-AB	2	EA	MOUNT ASSEMBLY, HEADLIGHT, RH	3321
04	44ZH-626-A	2	EA	LENS & HOUSING, HEADLIGHT, LH	3321
04A	44ZH-625-A	2	EA	LENS & HOUSING, HEADLIGHT, RH	3321
05	H9004	2	EA	BULB, HEADLIGHT, SEALED BEAM	3321
06	E7TB-13006-AB	2	EA	MOUNT ASSEMBLY, HEADLIGHT, LH	3321
06A	E7TB-13005-AB	2	EA	MOUNT ASSEMBLY, HEADLIGHT, RH	3321
07	H9004	2	EA	BULB, HEADLIGHT, SEALED BEAM	3321
08	44ZH-626-A	2	EA	LENS & HOUSING, HEADLIGHT, LH	3321
08A	44ZH-625-A	2	EA	LENS & HOUSING, HEADLIGHT, RH	3321
09	1157	1	EA	BULB, 12V, 32/3CP, DUAL CONTACT (K1)(K2)	3321
10	E7TB-13216-AD	1	EA	LENS & HOUSING, TURN-SIGNAL, LH	3321
10A	E7TB-13215-AD	1	EA	LENS & HOUSING, TURN-SIGNAL, RH	3321
11	P0669025	1	EA	CONNECTOR, HEADLIGHT	3321

DRIVING LIGHT ASSEMBLY

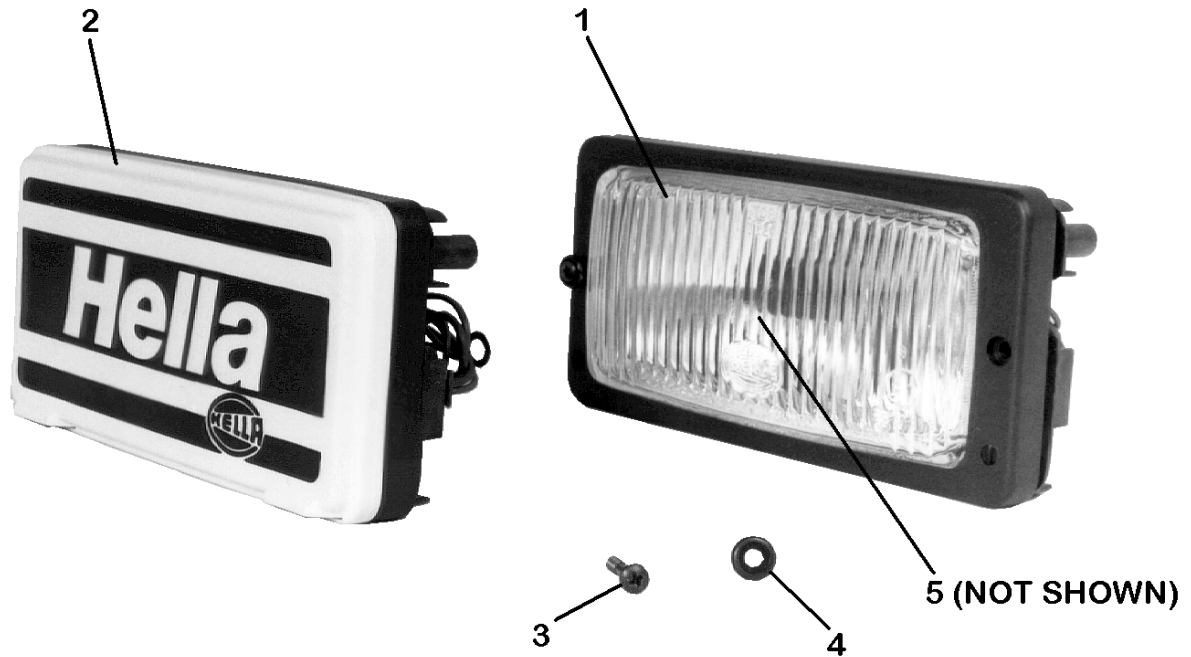


Figure 1.

Driving Light Pair

27P1460

Driving Light Assembly

Item#	Part Number	Qty	UM	Description	Start
	P0669026			73098	
			KT	LIGHT ASSEMBLY, DRIVING/FOG	3321
01	8377R19	2	EA	LIGHT, LENS & HOUSING	3321
02	95835	2	EA	COVER, LENS, DRIVING LIGHT	3321
03	95013	4	EA	SCREW W/ ROUND HEAD, LIGHT COVER MOUNT	3321
04	95012	4	EA	SHOULDER, LIGHT COVER MOUNT	3321
05	H3	2	EA	BULB, DRIVING LIGHT, 55 WATT	3321

DOOR ASSEMBLY, GENERATOR ACCESS

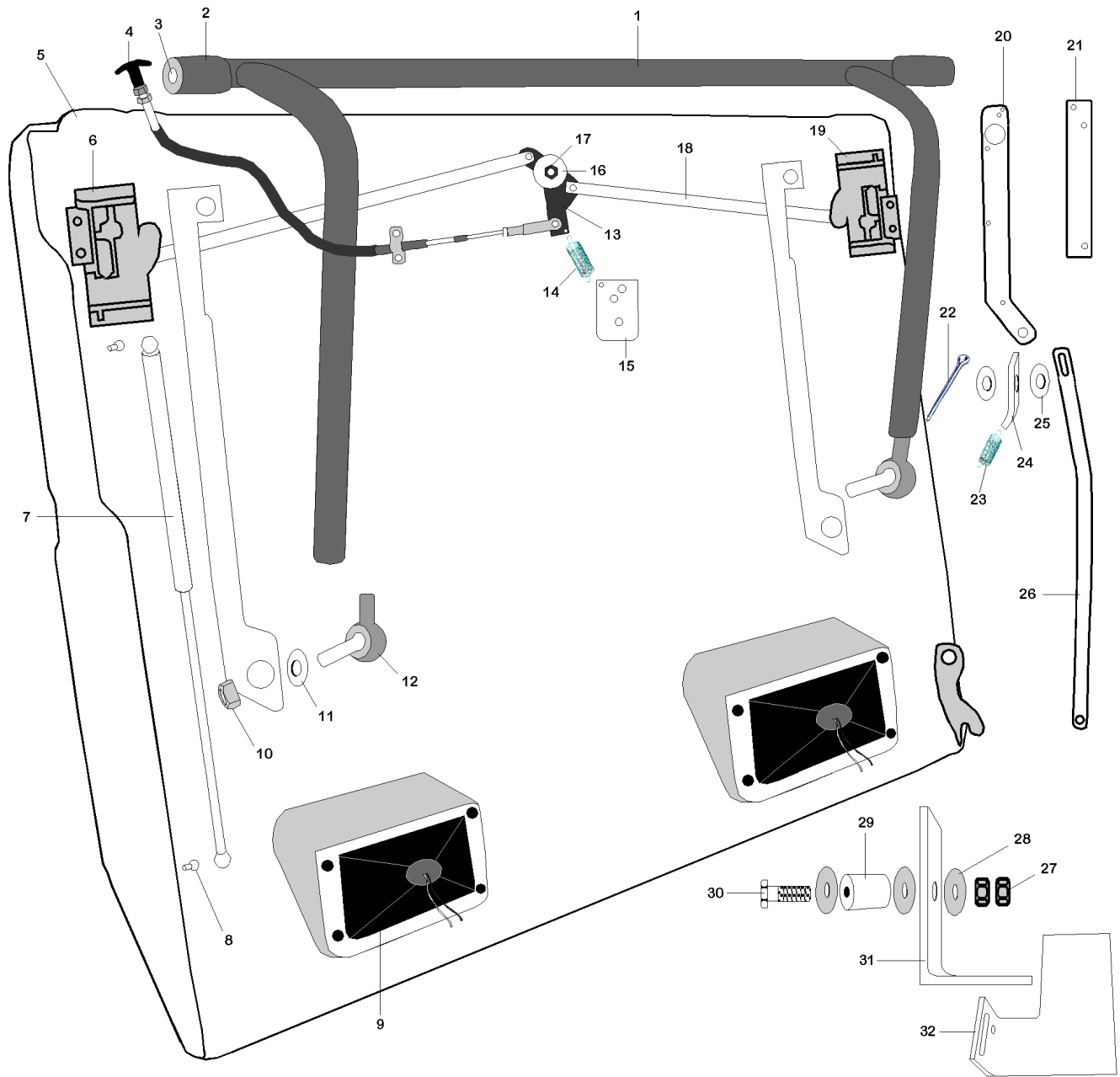


Figure 1.

Start Unit #5757

27P1470

Generator Access Door Assembly

Item#	Part Number	Qty	UM	Description	Start	
01	P56232	A7705	1	EA	HINGE ASSEMBLY, GENERATOR ACCESS DOOR	5625
02	P36220	1616-2RS-NR	2	EA	BAR END, HINGE, REAR DOOR	5189
02A	P56698	A7755	2	EA	BAR END, ACCESS DOOR HINGE, 2"	5468
03	P37567	A5182	2	EA	BEARING, BAR END, 1 1/8"OD X 1/2"ID	5189
04	P32498	86V33-3-96	1	EA	CABLE, LATCH RELEASE W/ HANDLE, 8'	4647
04A	175-601-204		1	EA	CLEVIS, LATCH CABLE	4647
04B	175-412-001		1	EA	NUT, JAM, LATCH CABLE	4647
05	P56231	A7704	1	EA	DOOR, GENERATOR ACCESS, FIBERGLASS ONLY	5782
06	P35152		1	EA	LOCK ASSEMBLY, COMPARTMENT DOOR, LEFT HAND	4373
06A	P35188		2	EA	LATCH PLATE ASSEMBLY, STORAGE COMPARTMENT	4260
07	P21808	C16-08376	2	EA	GAS SPRING, 135 LB, BALL STUD	4754
08	P0889051	SL69BS	4	EA	BALL STUD, 10MM, GAS SPRING	3321
09	P0669026	73098	1	KT	LIGHT ASSEMBLY, DRIVING/FOG	3321
10	P05005	50FNFHOZ	2	EA	NUT, 1/2"-20	3321
11	P27648	A6880	4	EA	SPACER, BRASS, 5/8"OD X 1/2"ID X 5/8"L	5189
12	P28900	SPM-8	2	EA	ROD END, SPHERICAL WITHOUT BOLT, DOOR HINGE ASSEMBLY	5189
12A	P28938	051697	2	EA	BOLT, 1/2"-13 X 2 1/2" GR5	5189
13	P30497	A4113	1	EA	CAM, "POP-UP" LOCK	4373
14	P39820	5464	1	EA	SPRING, CABLE RETURN	4696
15	P39819	A5892	1	EA	BRACKET, RETURN SPRING, GENERATOR DOOR	5757-5918
16	P095201	212-0800-007	1	EA	WASHER, WHITE POLY, 1 3/8"	3321
17	P04960		5	EA	NUT, 5/16"-18, HEX ZN PLTD	
18	P33444	S8700RXXZNRO	1	EA	FLAT BAR, COMPARTMENT LOCK, 44" CUT TO FIT	4373
19	P35151		1	EA	LOCK ASSEMBLY, COMPARTMENT DOOR, RIGHT HAND	4373
19A	P35188		2	EA	LATCH PLATE ASSEMBLY, STORAGE COMPARTMENT	4260
20	P32493	A5653	1	EA	BRACKET SET, GENERATOR ACCESS	5211
21	P39150		2	EA	PLATE, BACKING, 9"	4647
22	P04873		4	EA	COTTER PIN, 1/8" X 1 3/4"	5189
23	P38306	9628K1	2	EA	SPRING, 1 23/32"L	4647
24	P37867	A5248	2	EA	BRACKET, SPRING TAB	4647
25	P37586	90295A187	12	EA	WASHER, FLAT NYLON, 1/2"ID X 3/4"OD	5189
26	P36227	A5196	2	EA	CONTROL ARM, GENERATOR ACCESS DOOR	4647
27	P05000		4	EA	NUT, 1/2" - 13, HEX	3321
28	P05310		10	EA	WASHER, FLAT, 1/2"	3321
29	P27109	6077	2	EA	BUSHING, REAR DOOR SUPPORT, 1 11/16"OD X 1/2"ID X 2"	5189
30	P047351	61268	2	EA	BOLT, 1/2"-13 X 3 1/2" GR5	3321
31	P50036	A7243	2	EA	DOOR STOP, GENERATOR ACCESS	5757
32	P39152	A5679	1	EA	BRACE SET, GENERATOR ACCESS	4647

9/20/2000

WIPER ASSEMBLY, MOTOR / DRIVE

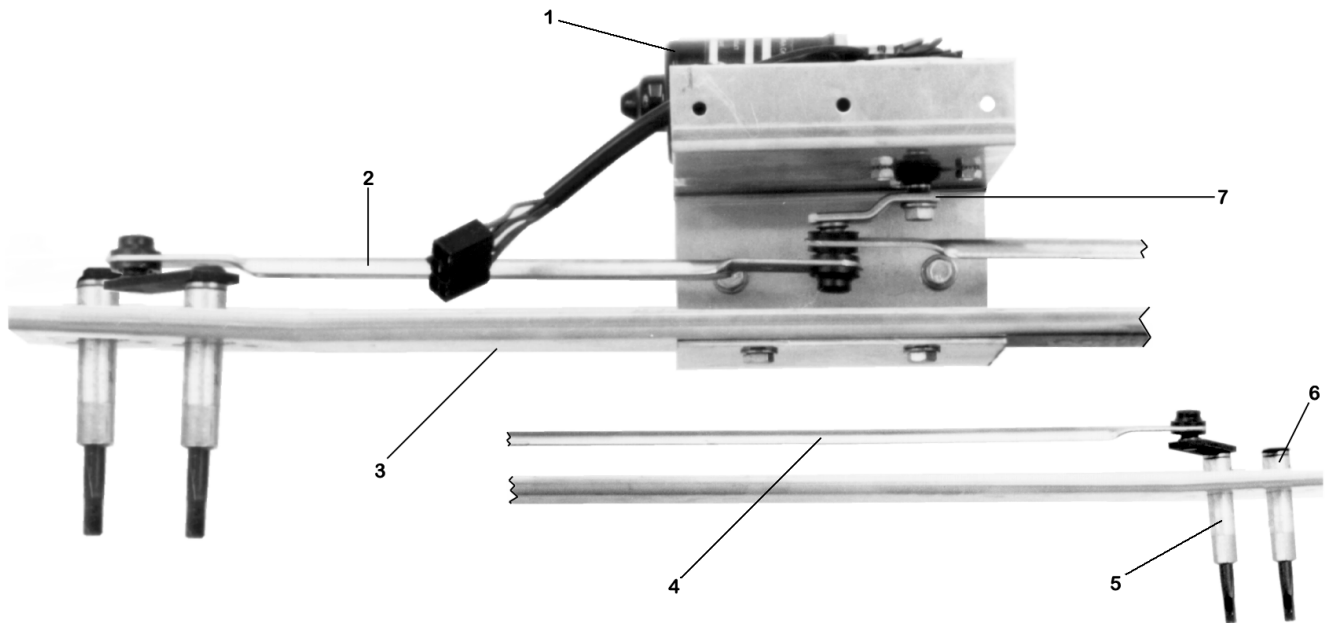


Figure 1.

27P1485
Group 1485 Wiper.PCX
Rev. 09/00

Start Unit #5678

27P1485

Wiper Assembly, Motor and Drive

Item#	Part Number	Qty	UM	Description	Start
00	P56162		KT	WIPER KIT, WINDSHIELD	5678
01	1011174	1	EA	MOTOR, WINDSHIELD WIPER, 12V, 8" LEAD, 30NM	5678
02	600093102	1	EA	TIE BAR, SHORT, WINDSHIELD WIPER	5678
03	60791600	1	EA	BRACKET, STRINGER, WIPER PIVOT, WINDSHIELD WIPER	5678
04	60009389	1	EA	TIE BAR, LONG, WINDSHIELD WIPER	5678
05	60792300	1	EA	SHAFT ASSEMBLY, DRIVE, WINDSHIELD WIPER	5678
06	60792400	1	EA	SHAFT ASSEMBLY, IDLER, WINDSHIELD WIPER	5678
07	60792101	1	EA	DRIVE CRANK ASSEMBLY, WINDSHIELD WIPER	5678

WIPER ASSEMBLY, MOTOR / DRIVE

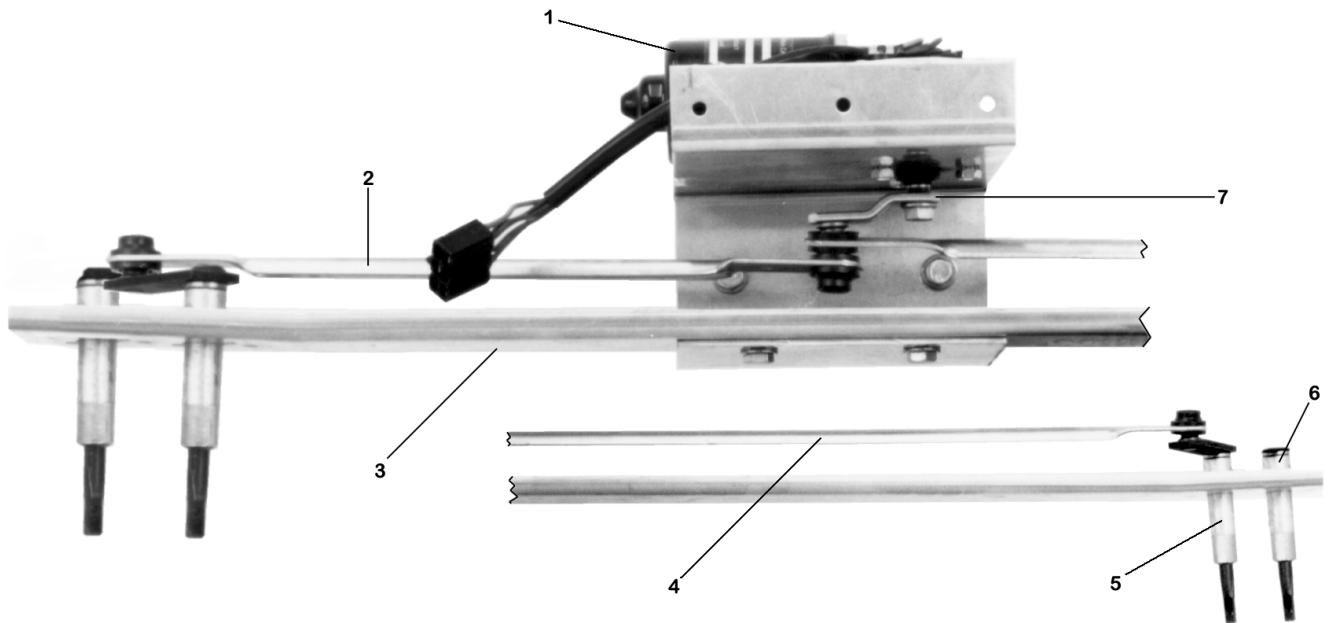


Figure 1.

27P1485-1
Group 1485 Wiper.PCX
Rev. 09/00

Start Unit #5791

27P1485-1

Wiper Assembly, Motor / Drive (mid year)

Item#	Part Number	Qty	UM	Description	Start
00	P57616		KT	WIPER KIT, WINDSHIELD, 16MM SPINDLE	5791
01	1011174	1	EA	MOTOR, WINDSHIELD WIPER, 12V, 8" LEAD, 30NM	5678
02	600093102	1	EA	TIE BAR, SHORT, WINDSHIELD WIPER	5678
03	60791601	1	EA	BRACKET, MAIN, WINDSHIELD WIPER	5791
04	60009389	1	EA	TIE BAR, LONG, WINDSHIELD WIPER	5678
05	60128520	1	EA	SHAFT ASSEMBLY, DRIVE, WINDSHIELD WIPER, 16MM	5791
06	60792400	1	EA	SHAFT ASSEMBLY, IDLER, WINDSHIELD WIPER	5678
07	60792101	1	EA	DRIVE CRANK ASSEMBLY, WINDSHIELD WIPER	5678

WIPER ASSEMBLY, ARM / BLADE

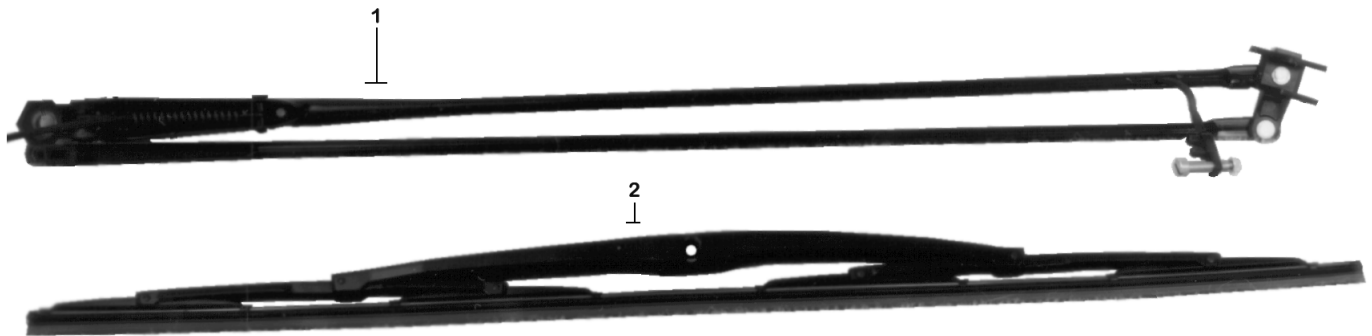


Figure 1.

27P1487
Group 1487 Blade.PCX
Rev. 09/00

Start Unit #5678

27P1487

Wiper Assembly, Arm and Blade

Item#	Part Number	Qty	UM	Description	Start
00	P56162		KT	WIPER KIT, WINDSHIELD	5678
01	P16028TJ	1	KT	ARM ASSEMBLY, WINDSHIELD WIPER	5678
02	B14026B	1	KT	BLADE ASSEMBLY, WINDSHIELD WIPER	5678
03	P37442	2	EA	SWITCH, ON / OFF, SPST	4558
04	P37442	2	EA	SWITCH, ON / OFF, SPST	4558
05	P51283	1	EA	COMPUTER, AUDIT 5T7 CPU	5595

WIPER ASSEMBLY, ARM / BLADE

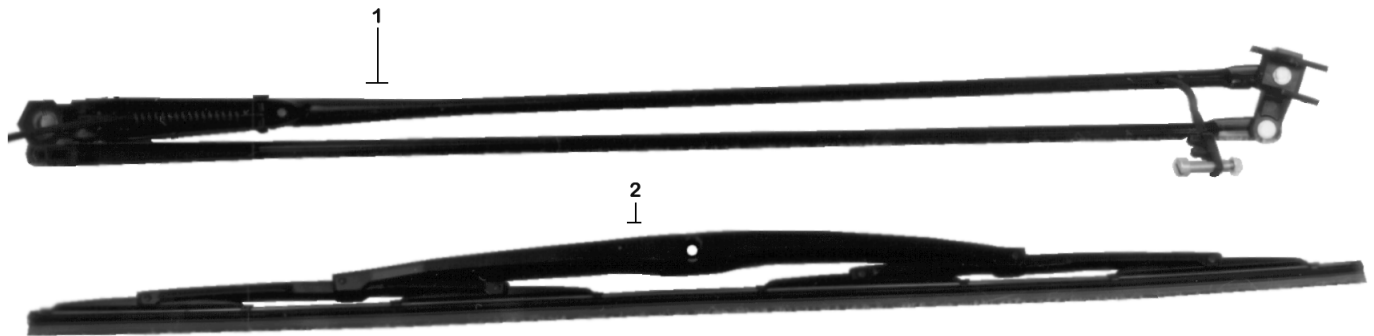


Figure 1.

27P1487-1
Group 1487 Blade.PCX
Rev. 09/00

Start Unit #5791

27P1487-1

Wiper Assembly, Arm and Blade (mid year)

Item#	Part Number	Qty	UM	Description	Start
01	P16228J	1	KT	ARM ASSEMBLY, WINDSHIELD WIPER, 16MM SPINDLE	5791
02	B14026B	1	KT	BLADE ASSEMBLY, WINDSHIELD WIPER	5678

WIPER ASSEMBLY, WASHER BOTTLE

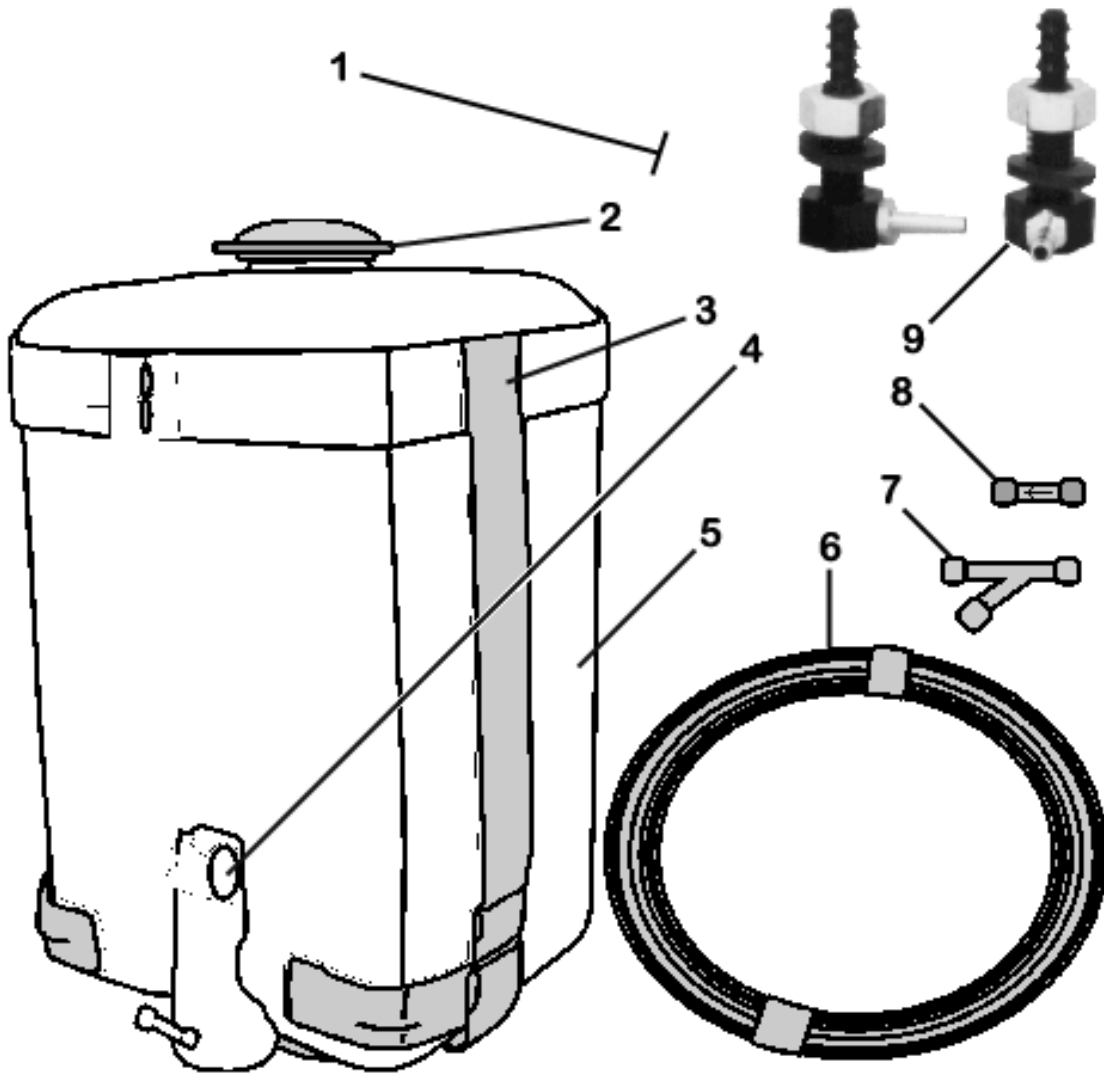


Figure 1.

27P1489

Wiper Assembly, Related Parts

Item#	Part Number	Qty	UM	Description	Start
01	P56163		KT	WASHER KIT, WINDSHIELD, WITH BOTTLE	5678
02	15010100	1	EA	FILLER CAP, WASHER BOTTLE, WINDSHIELD WIPER	5678
03	15011000	1	EA	BRACKET, MOUNTING, WASHER BOTTLE, WINDSHIELD WIPER	5678
04	15010700	1	EA	WATER PUMP, WASHER BOTTLE, WINDSHIELD WIPER	5678
05	15010000	1	EA	WASHER BOTTLE, 5 LITER, WINDSHIELD WIPER	5678
06	80200500	1	EA	TUBING, 16', WASHER BOTTLE, WINDSHIELD WIPER	5678
07	15000500	1	EA	"TEE" CONNECTOR, WASHER BOTTLE, WINDSHIELD WIPER	5678
08	15002000	1	EA	VALVE, NON-RETURN, WASHER BOTTLE, WINDSHIELD WIPER	5678
09	60250401	2	EA	BULKHEAD CONNECTOR, 1/2", WASHER BOTTLE, WINDSHIELD WIPER	5678

REAR CAP ASSEMBLY

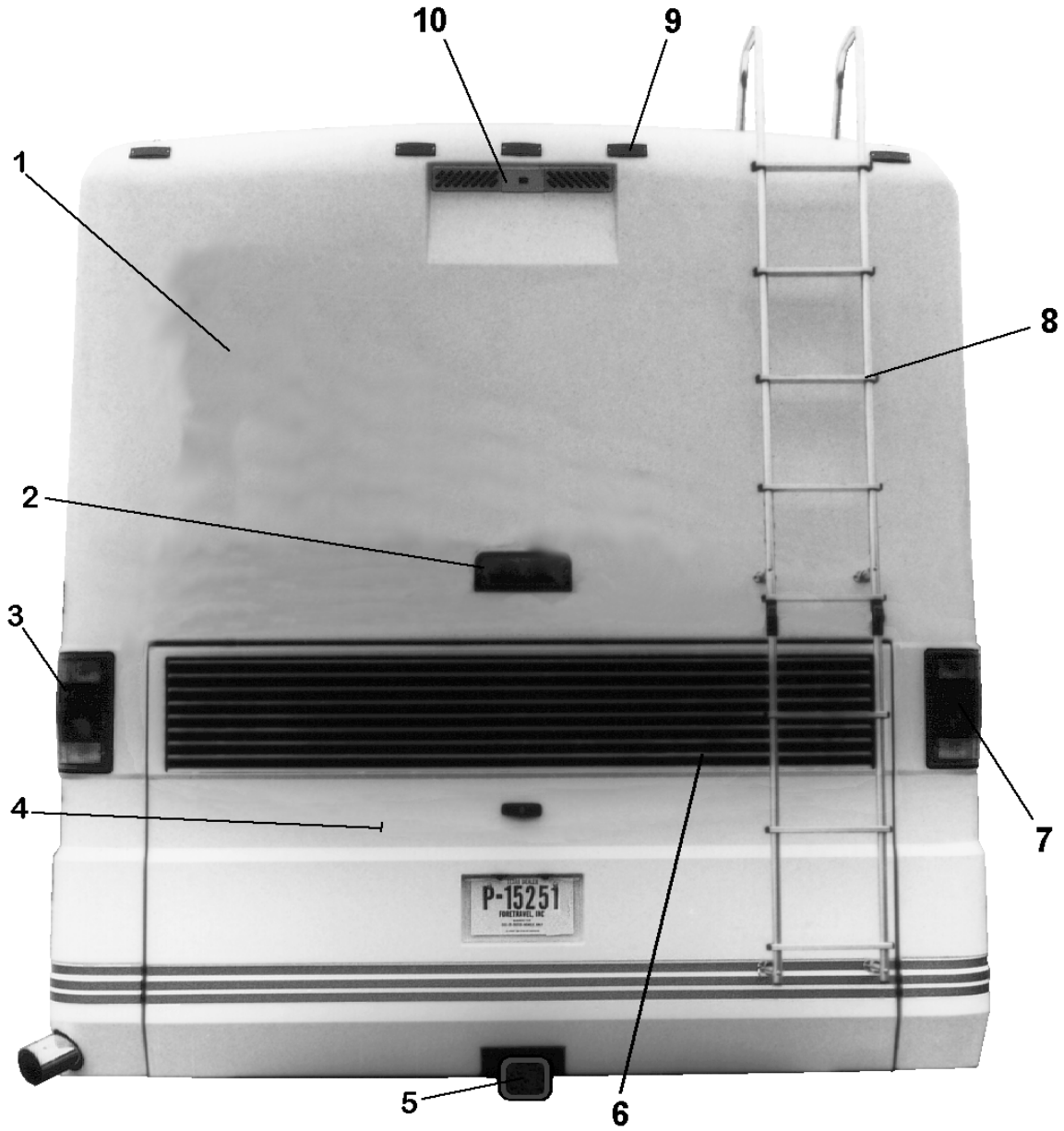


Figure 1.

27P1510
Group 1510 Cap.PCX
Rev. 09/00

Luggage Rack Change Unit# 5782

27P1510

Rear Cap Assembly

Item#	Part Number	Qty	UM	Description	Start
01	P35772	1	EA	END CAP, REAR, 102FIBERGLASS	4470
02	P35775	1	EA	LIGHT,CENTER BRAKE,HIGH MOUNT	4558
03	NOTE1540	1		SEE GROUP 1540: TAILLIGHT ASSEMBLY	
04	NOTE1560	1		SEE GROUP 1560: ENGINE ACCESS DOOR	
05	P30142	1	EA	RECEIVER TUBE, 15 1/2", TRAILER HITCH	5365
05A	P5594	1	EA	BRACKET, SAFETY CHAIN CONNECT	3690
05B	P0929513	1	EA	SOCKET,TRAILER CONNECT,6-POLE (MALE TERMINALS)	3324
06	P38568	1	EA	GRILL, 12" X 75 3/4, ENGINE ACCESS, SIDE	4594
07	NOTE1540	1		SEE GROUP 1540: TAILLIGHT ASSEMBLY	
08	P38886	1	EA	LADDER, TOP SECTION, 2 PIECE	4558
08A	P38887	1	EA	LADDER, BOTTOM SECTION,2 PIECE	4558
09	P35023	7	EA	LIGHT, CLEARANCE, RED	4389
10	NOTE1535			SEE GROUP 1535: CAMERA/MONITOR	

CAMERA / MONITOR SYSTEM

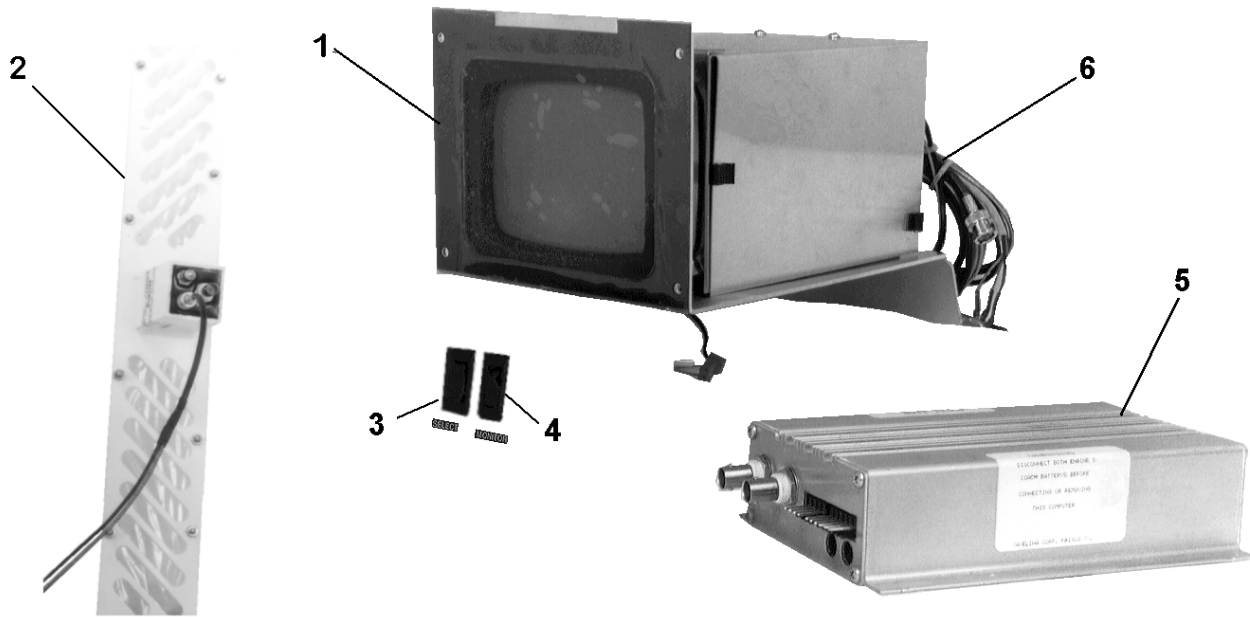


Figure 1.

27P1535
1535.PCX
Rev. 09/00

New Monitor start Unit #5757

27P1535

Camera / Monitor Assembly

Item#	Part Number	Qty	UM	Description	Start	
01	P61038	42-61038	1	EA	MONITOR ASSEMBLY, DASH MOUNT	5757
02	P20310	42-20310	1	EA	CAMERA,BLACK/WHITE, MODEL 6600	4754
03	P37442	RA901-RB-BON	2	EA	SWITCH, ON / OFF, SPST	4558
04	P37442	RA901-RB-BON	2	EA	SWITCH, ON / OFF, SPST	4558
05	P51284	42-51284	1	EA	CPU, AUDIT 5T9	5595
06	42-JAV		1	EA	POWER SUPPLY,12V,DC-DC CONVERT	3767

TAIL-LIGHT ASSEMBLY U270

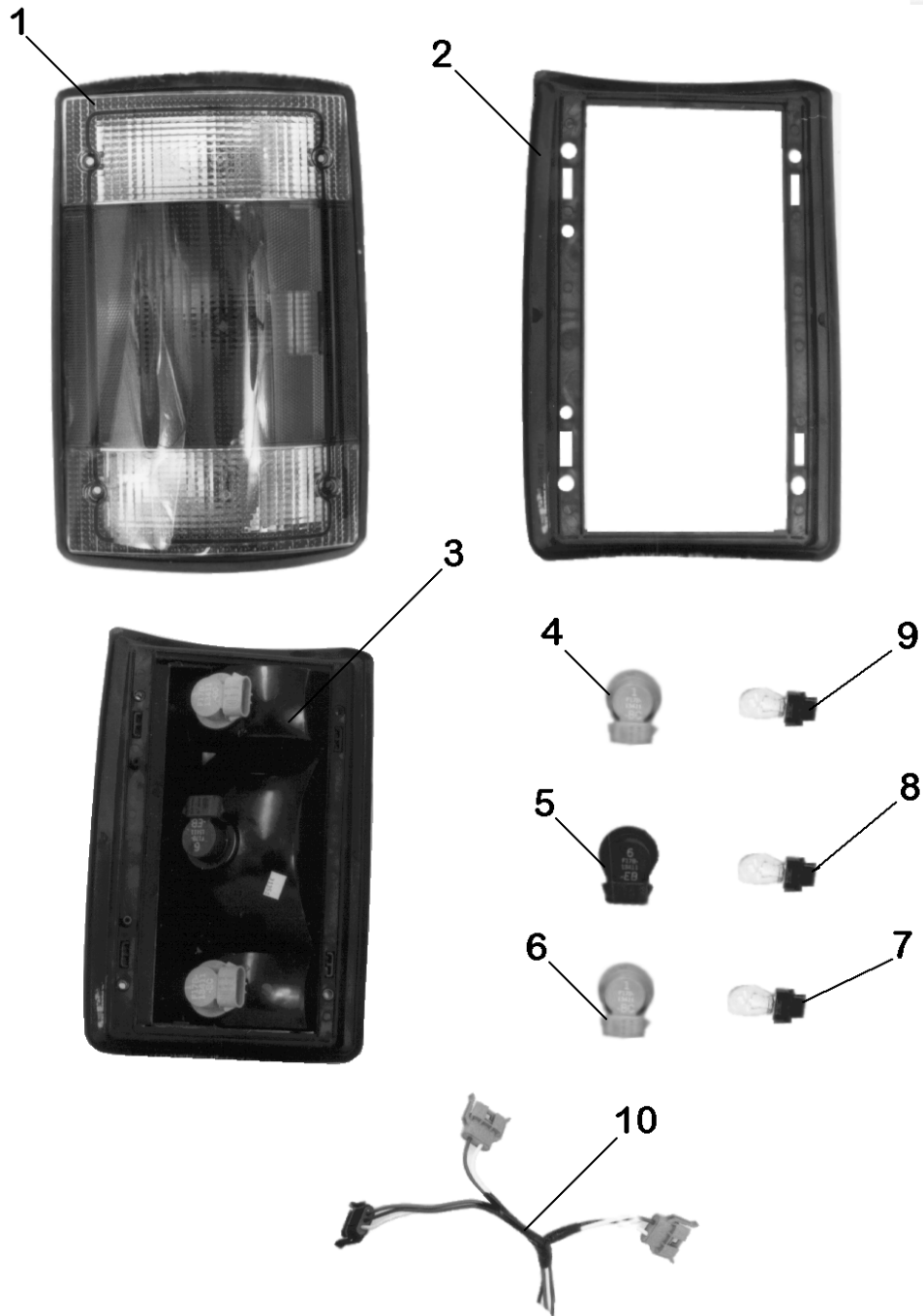


Figure 1.

27P1540
TAILITE2.PCX
Rev. 03-96

Tail-light

27P1540

Tail-Light Assembly

Item#	Part Number	Qty	UM	Description	Start
01	P35773 F2UZ-13405A	1	EA	TAILLIGHT ASSM, LH (DRIVERS)	4558
01A	P35774 F2UZ-13404A	1	EA	TAILLIGHT ASSM, RH (PASSENGER)	4558
02	F2UB-13A643-AD	1	EA	SEAL, DRIVER SIDE TAILLIGHT	4558
02A	F2UB-13A495-AD	1	EA	SEAL, PASSENGER SIDE TAILLIGHT	4558
03	F2UB-13441-AC	1	EA	LENS & HOUSING, D/S, TAILLIGHT	4558
03A	F2UB-13440-AC	1	EA	LENS & HOUSING, P/S, TAILLIGHT	4558
04	F17B-13411-BC	2	EA	CONNECTOR, TURN SIGNAL, TAILLIGHT	4558
05	F17B-13411-GC P53004	2	EA	CONNECTOR, BACKUP, TAILLIGHT	4558
06	F17B-13411-GC P53004	2	EA	CONNECTOR, BACKUP, TAILLIGHT	4558
07	3156 P53006	4	EA	BULB, SINGLE ELEMENT, TAILLIGHT	4558
08	3357 (M4)	2	EA	BULB, STOP/TAIL, TAILLIGHT	4558
09	3156 P53006	4	EA	BULB, SINGLE ELEMENT, TAILLIGHT	4558
10	P37825 3500	1	EA	CONNECTOR, 3-WAY, LH TAILLIGHT	4558
10A	P37826 3501	1	EA	CONNECTOR, 3-WAY, RH TAILLIGHT	4558

CENTER BRAKE LIGHT U270

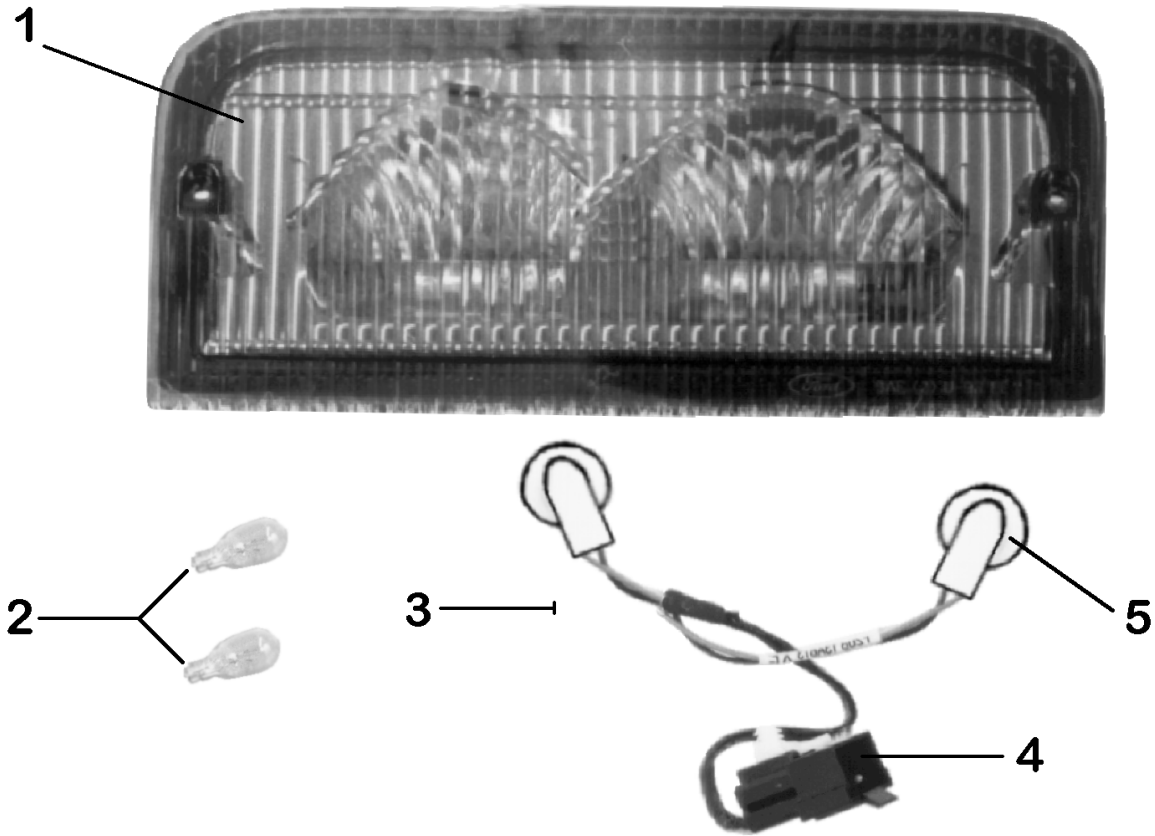


Figure 1.

Center Brake Light

27P1550

Center Brake Light

Item#	Part Number	Qty	UM	Description	Start
01	P35775		EA	LIGHT,CENTER BRAKE,HIGH MOUNT	4558
01A	F2UB-13A617-B	1	EA	LENS/HOUSING, CENTER TAILLIGHT	4558
02	912	2	EA	BULB, CENTER TAILLIGHT, 12V	4558
03	F2UB-13A613-AE		EA	HARNESS, CENTER TAILLIGHT	4558
04	14A459	1	EA	CONNECTOR, TERMINAL, HARNESS	4558
05	T-1172-04 EWP	2	EA	CONNECTOR, BULB SOCKET	4558

REAR DOR ASSEMBLY, ENGINE ACCESS

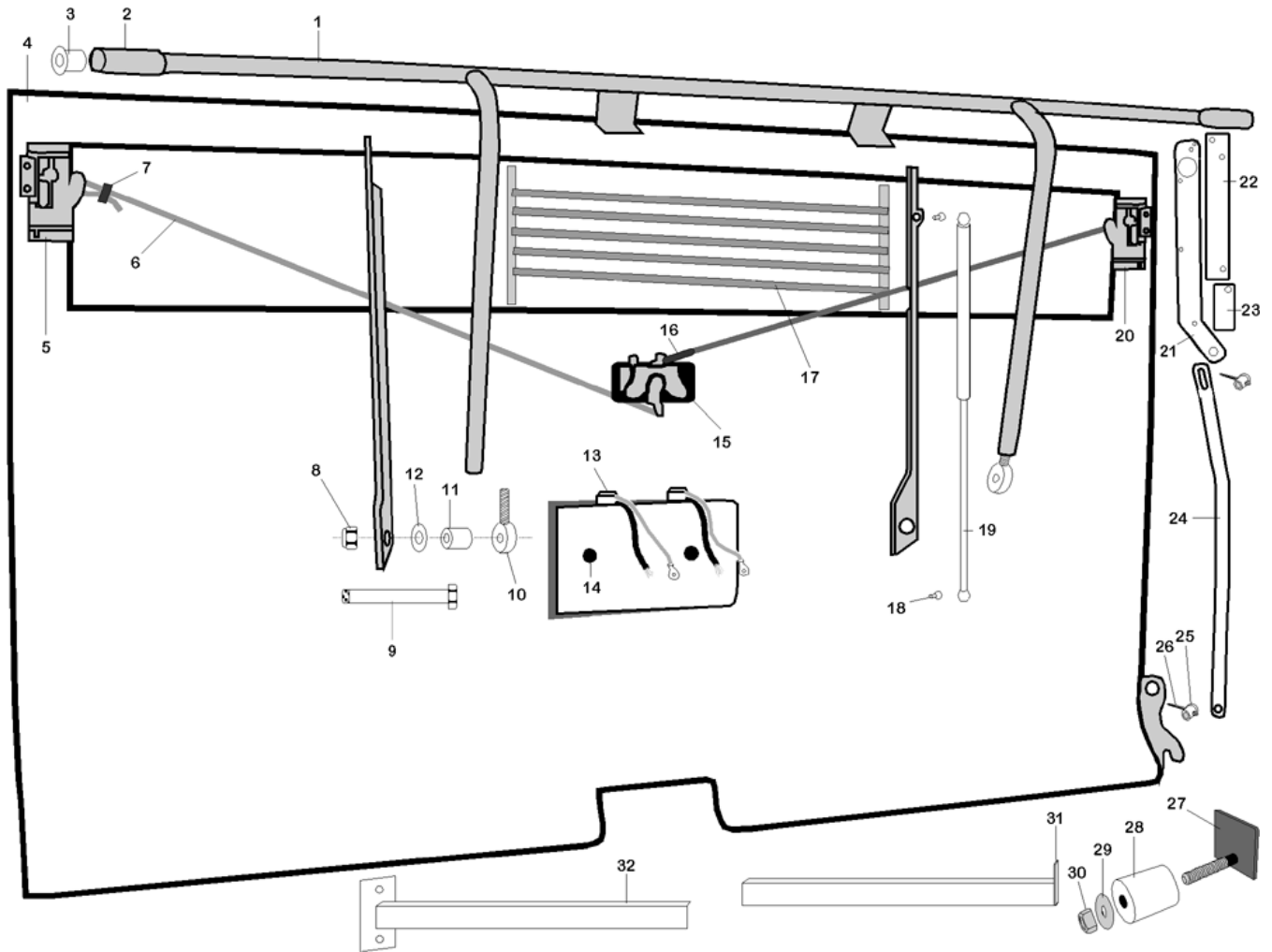


Figure 1.

New Hinge start Unit #5592

27P1560

Engine Access Door Assembly

Item#	Part Number	Qty	UM	Description	Start	
01	P56210	A7654	1	EA	HINGE ASSEMBLY, ENGINE ACCESS DOOR	5592
02	P36220	1616-2RS-NR	2	EA	BAR END, HINGE, REAR DOOR	5189
03	P37567	A5182	2	EA	BEARING, BAR END, 1 1/8"OD X 1/2"ID	5189
04	P28902		1	EA	DOOR ASSEMBLY, ENGINE ACCESS	5191
05	P35151		2	EA	LOCK ASSEMBLY, COMPARTMENT DOOR, RIGHT HAND	4373
05A	P35188		2	EA	LATCH PLATE ASSEMBLY, STORAGE COMPARTMENT	4260
06	P37890	3458T44	30	IN	CABLE, LATCH RELEASE, 1/16"DIA	4754
07	P37896	3898T12	2	EA	SLEEVE, OVAL, 1/16 CABLE END	5189
08	P7000099	84308	4	EA	NUT, UNITORQUE LOCK, 1/2"-13	
09	P28938	051697	2	EA	BOLT, 1/2"-13 X 2 1/2" GR5	5189
10	P28900	SPM-8	2	EA	ROD END, SPHERICAL WITHOUT BOLT, DOOR HINGE ASSEMBLY	5189
11	P27648	A6880	2	EA	SPACER, BRASS, 5/8"OD X 1/2"ID X 5/8"L	5189
12	P33059		2	EA	WASHER, FLAT	4004
13	P37589	26001	2	EA	LAMP, LICENSE PLATE	5189
14	P37491	29918	2	EA	BOLT, LICENSE PLATE, 1/4"-20 X 5/8"	5189
15	P25369	KYONE13525-01	1	EA	LOCK, PADDLE HANDLE, KEY ONE	4785
16	P24235	A6377	2	EA	CABLE POST, BRASS	5189
17	P38568		1	EA	GRILL, 12" X 75 3/4, ENGINE ACCESS, SIDE	4594
18	P0889051	SL69BS	4	EA	BALL STUD, 10MM, GAS SPRING	3321
19	P37563	SL25-170BM10	2	EA	GAS SPRING, 170 LB, 10MM STUD	5189
20	P35152		1	EA	LOCK ASSEMBLY, COMPARTMENT DOOR, LEFT HAND	4373
20A	P35188		2	EA	LATCH PLATE ASSEMBLY, STORAGE COMPARTMENT	4260
21	P39812	A5831	1	ST	BRACKET SET, REAR DOOR MOUNT	5189
22	P39814	A6017	2	EA	PLATE, BACKING, 7 1/2"	5189
23	P37882	A5207	2	EA	PLATE, BACKING, 3"	5189
24	P37492	A5600	2	EA	CONTROL ARM, REAR DOOR	5189
25	P37586	90295A187	2	EA	WASHER, FLAT NYLON, 1/2"ID X 3/4"OD	5189
26	P04873		4	EA	COTTER PIN, 1/8" X 1 3/4"	5189
27	P27646	A6877	4	EA	BUSHING, LOWER TAB	5189
28	P27109	6077	2	EA	BUSHING, REAR DOOR SUPPORT, 1 11/16"OD X 1/2"ID X 2"	5189
29	P3637	54440	2	EA	WASHER, FLAT, 1/2" SAE	4300
30	P7000099	84308	2	EA	NUT, UNITORQUE LOCK, 1/2"-13	
31	P29470	A7067	1	ST	BRACE SET, REAR CAP / REAR DOOR (10")	5189
32	P28949	A6944	2	EA	BRACE, LOWER REAR DOOR, RH, U270/295	5189
32A	P29305	A6944	2	EA	BRACE, LOWER REAR DOOR, LH, U270/295	5189

2001 PAINT COLOR OPTIONS

014 - BLUE EXTERIOR - NAVY AWNINGS



015-PEWTER/SILVER EXTERIOR-TAUPE AWNINGS



016/018-RED EXTERIOR-BLACK CHERRY AWNINGS



017-GREEN EXTERIOR-FOREST GREEN AWNINGS

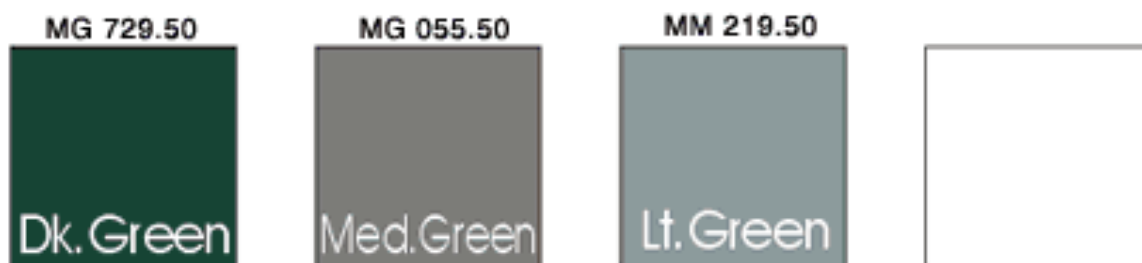


Figure 1.

2001 Paint & Decal Designations

<u>CODE</u>	<u>DESCRIPTION</u>	<u>LEVEL</u>	<u>COLOR PKG.</u>
00	Unpainted	x	x
10	Painted Graphics U270	U270	Blue
11	Painted Graphics	1	Blue
12	Painted Graphics	2	Blue
13	Painted Graphics	3	Blue
21	Painted Graphics	1	Taupe
22	Painted Graphics	2	Taupe
23	Painted Graphics	3	Taupe
30	Painted Graphics U270	u270	Red
31	Painted Graphics	1	Red
32	Painted Graphics	2	Red
33	Painted Graphics	3	Red
41	Painted Graphics	1	Green
42	Painted Graphics	2	Green
43	Painted Graphics	3	Green
*4	Custom Full Paint	4	Custom
RD	Decals	Decals	Red
BL	Decals	Decals	Blue
PW	Decals	Decals	Pewter

2001 Standard Color Combinations

Level 1 - 2001 Standard Color Combinations

Standard Color Exterior	Location	Color	Color Max II #
Blue Exterior - 11	main stripe color	Navy Blue	MB 979.50
	small stripe color	Med. Blue	MB 138.50
Taupe - 21	main stripe color	Taupe	MM 309.50
	small stripe color	Light Taupe	MM 173.50
Red - 31	main stripe color	Dark Red	MR 329.50
	small stripe color	Light Red	MR 006.50
Green - 41	main stripe color	Dark Green	MG 729.50
	small stripe color	Med. Green	MG 055.50

Level 2 - 2001 Standard Color Combinations

Standard Color Exterior	Location	Color	Color Max II #
Blue Exterior - 12	main stripe color	Navy Blue	MB 979.50
	small stripe color	Med. Blue	MB 138.50
	lower color	Sand	MM 123.00
Taupe - 22	main stripe color	Taupe	MM 309.50
	small stripe color	Light Taupe	MM 173.50
	lower color	Sand	MM 123.00
Red - 32	main stripe color	Dark Red	MR 329.50
	small stripe color	Light Red	MR 006.50
	lower color	Sand	MM 123.00
Green - 42	main stripe color	Dark Green	MG 729.50
	small stripe color	Med. Green	MG 055.50
	lower color	Light Green	MM 219.50

MUDFLAP ASSEMBLY

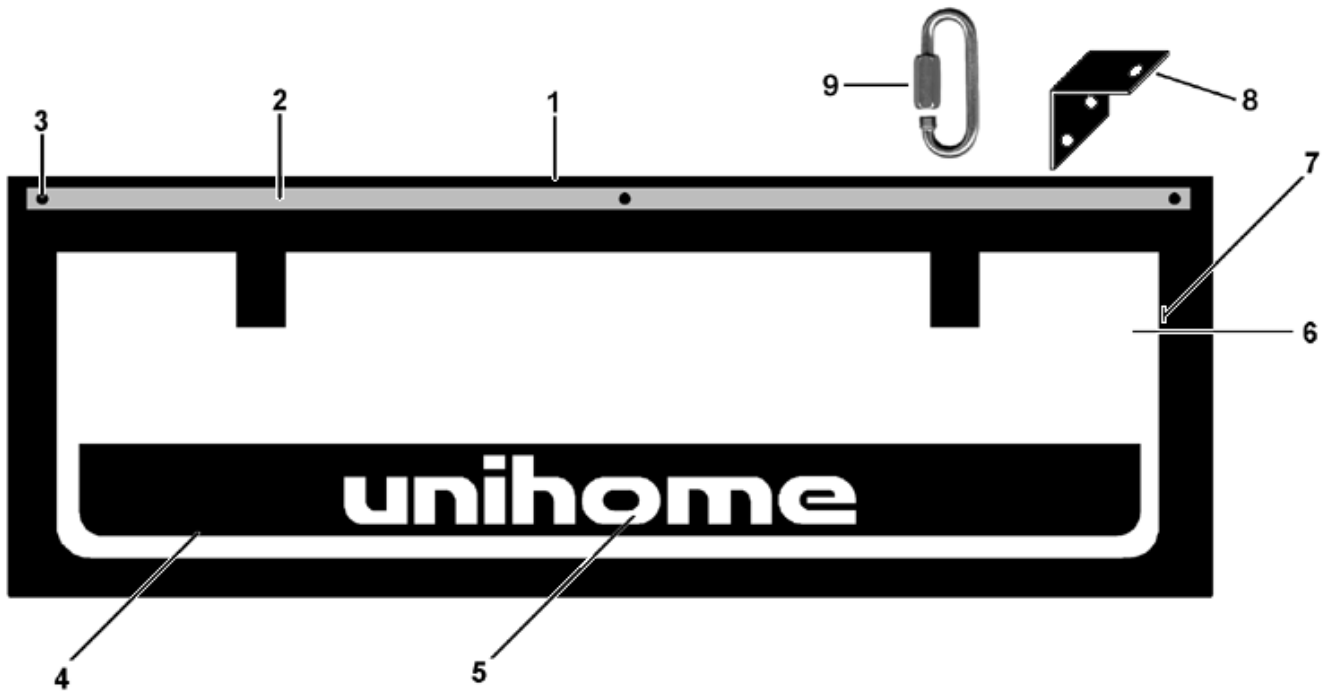


Figure 1.

27P1640

Mudflap Fascia

Item#	Part Number	Qty	UM	Description	Start
05	P25246				
	D97-U5207-01	1	EA	DECAL, NAME, LARGE "FORETRAVEL"	4610
06	P25061	1	EA	FASCIA, FIBERGLASS	3905
07	P25247	1	KT	FASCIA ASSEMBLY, MUDFLAP, 102", "FORETRAVEL"	4610
08	P55118	2	EA	BRACKET, MUDFLAP MOUNTING TO FRAME	5592
09	P55093	2	EA	CONNECTOR, THREADED, QUICK LINK, 1/4" X 2 1/4"	5592

PATIO AWNING U270

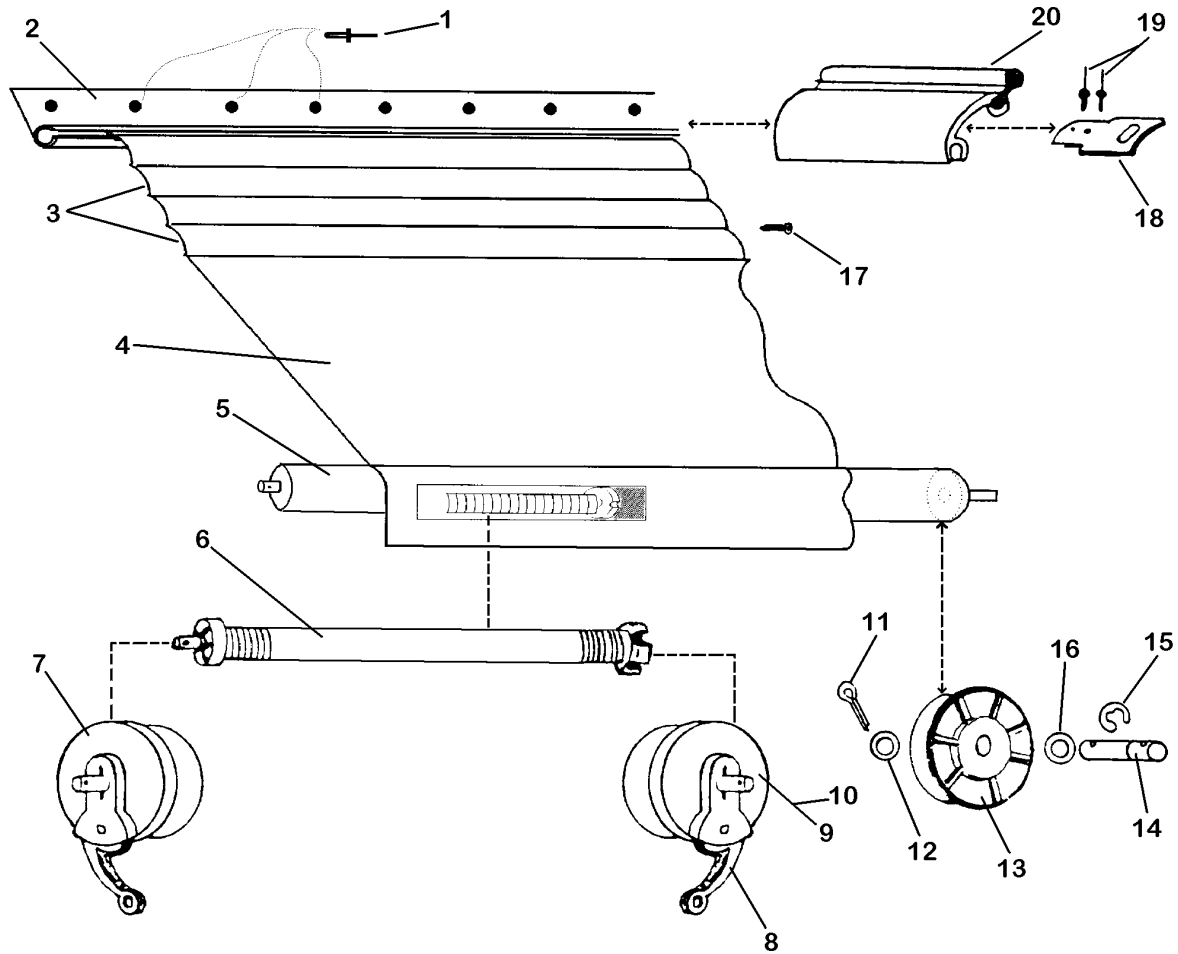


Figure 1.

Patio Awning, 18', 22'

27P1710

Patio Awning

Item#	Part Number	Qty	UM	Description	Start
01	316150		EA	RIVET, BLIND, 5/32"	3341
02	343000	18	FT	RAIL, AWNING, PER FOOT	3341
03	#340000	18	FT	CASE SLATS, PER SLAT FOOT	3341
04	316150	18	EA	RIVET, BLIND, 5/32"	3341
05	330000	18	FT	ROLLER TUBE, PATIO AWNING (PER FOOT)	3341
06	201110	1	EA	SPRING ASSM, "Z-SPRING" (K1) {INCLUDES (17104)}	3321
07	201200	1	EA	LOCK, "Z-SPRING" (REAR)	3341
08	320329	1	EA	LEVER-SPRING-NUT ASSM, Z-LOCK	3341
09	201600	1	EA	LOCK ASSM Z-LOCK" (FRONT)(K1)	3341
11	313010	2	EA	COTTER PIN (K2)	3341
12	312030	4	EA	WASHER, FLAT (K2)	3341
13	320350	2	EA	PLUG, ROLLER, 3" (K2)	3341
14	325080	2	EA	SHAFT, IDLE (K2)	3341
15	312060	2	EA	RING, RETAINING (K2)	3341
16	312030	4	EA	WASHER, FLAT (K2)	3341
17	317010	10	EA	SCREW, CASE RETAINING	3341
18	325259	2	EA	KEY LOCK, UNIVERSAL	3321
19	316240	4	EA	RIVET, KEY LOCK	3341
20	207200	18	FT	FLEX KEY ASSM, PER FOOT (K3)	3321
997	200181	1	EA	(K1)KIT,ROLLER ASSM,18' PATIO	3341
998	201500	2	EA	(K2)KIT,IDLE END ASSM,18' P.A.	3341
999	203100	1	EA	(K3)KIT,COMPLETE CASE,18' P.A.	3341

WINDOW AWNING U270

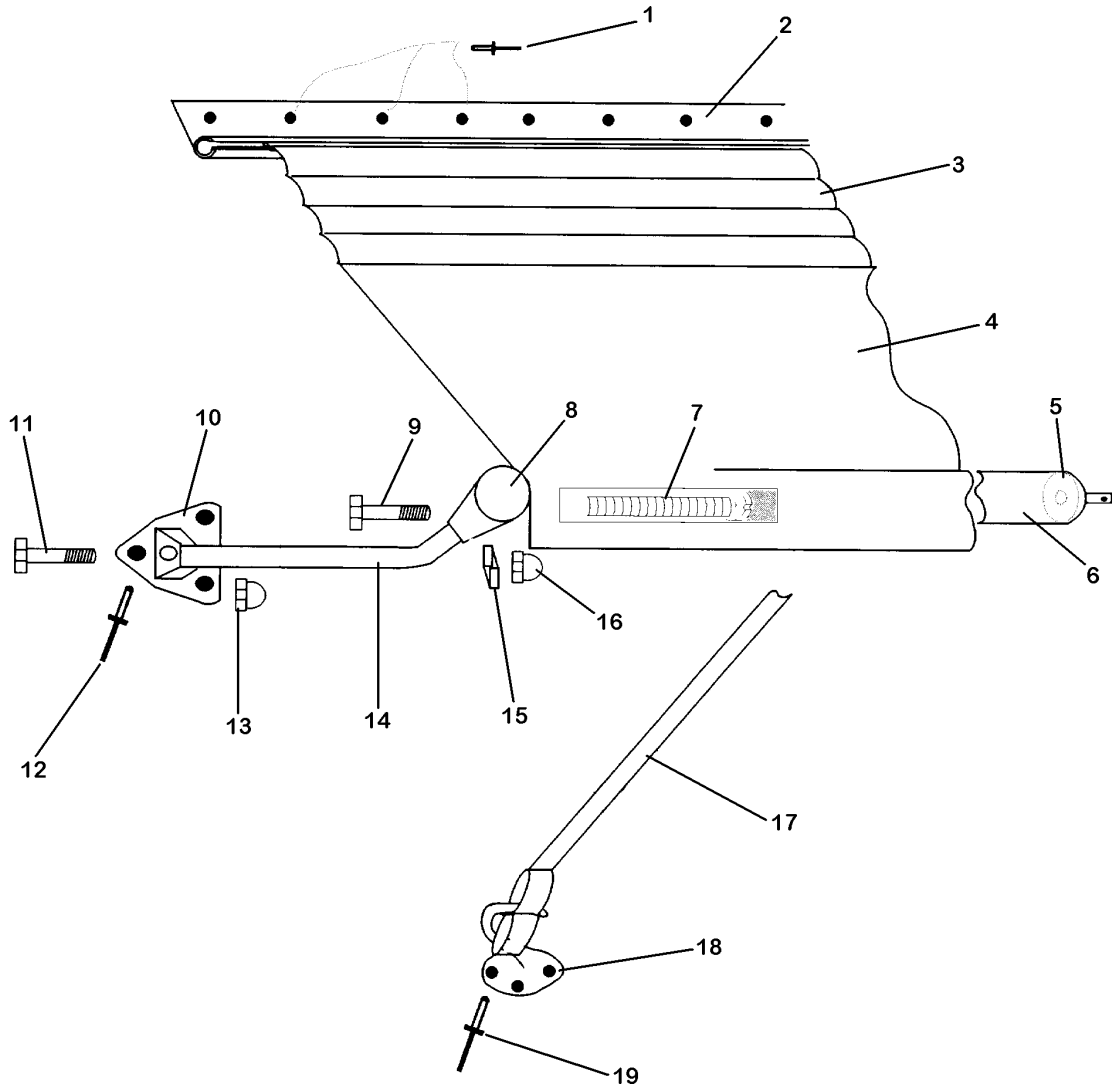


Figure 1.

Window Awning, 5', 7'8", 9', 10', 12'

27P1720
ZIP-2.PCX
Rev. 03-96

27P1720

Window Awning

Item#	Part Number	Qty	UM	Description	Start
01	316150		EA	RIVET, BLIND, 5/32"	3341
02	342000		FT	RAIL, WINDOW AWNING (PER FOOT)	3341
03	#340000		FT	CASE SLATS, PER SLAT FOOT	3341
04	226000		FT	FABRIC, WINDOW AWNING, STD. (SPECIFY COLOR)	3341
05A	221550	1	EA	IDLE END ASSEMBLY, 2 1/4" (FOR 5' WINDOW AWNING)	3341
05B	221500	1	EA	IDLE END ASSEMBLY, 2 1/2" (FOR 9' & 12' WINDOW AWNING)	3341
06A	332000		FT	ROLLER TUBE, 2 1/4 PER FOOT (FOR 5' WINDOW AWNING)	3341
06B	331000		FT	ROLLER TUBE, 2 1/2 PER FOOT (FOR 9' & 12' WINDOW AWNING)	3341
07A	221100	1	EA	SPRING ASSEMBLY, 2 1/4" TUBE (FOR 5' WINDOW AWNING)	3321
07B	221200	1	EA	SPRING ASSEMBLY, 2 1/2" TUBE (FOR 9' & 12' WINDOW AWNING)	3341
08	320109	2	EA	HEAD CASING, WINDOW AWNING (K3)	3321
09	310040	2	EA	BOLT, 1/4"-20 X 1 1/4" (K1)(K3)	3341
10	210050	2	EA	HINGE, TRIANGULAR, STD (K1)(K3)	3341
11	310010	2	EA	BOLT, 1/4"-20 X 1 5/8" (K1,3,7)	3341
12	316030	6	EA	RIVET, SPLIT (K1)(K3) 3/16" X 1"	3341
13	311010	4	EA	NUT, CAP, 1/4"-20 (K1)(K3)	3341
14	231200	2	EA	SUPPORT ARM, WINDOW AWNING (K3)	3341
15	312010	2	EA	WASHER, LOCK, 1/4" (K1)(K3)	3341
16	311010	4	EA	NUT, CAP, 1/4"-20 (K1)(K3)	3341
17	226900	1	EA	PULL TAB W/ RIVETS, STD (SPECIFY COLOR)	3341
18	320119	1	EA	HOOK CASTING (K2)(K3)	3321
19	316010	3	EA	RIVET, 3/16" X 3/4" (K2)(K3)	3341
997	299320	1	EA	(K1) KIT, INSTALLATION, WINDOW AWNING	3341
998	299330	1	EA	(K2) KIT, HOOK - HOLD DOWN	3341
999	230200	1	EA	(K3) KIT, HARDWARE SET	3341

AWNING SUPPORT ARMS U270

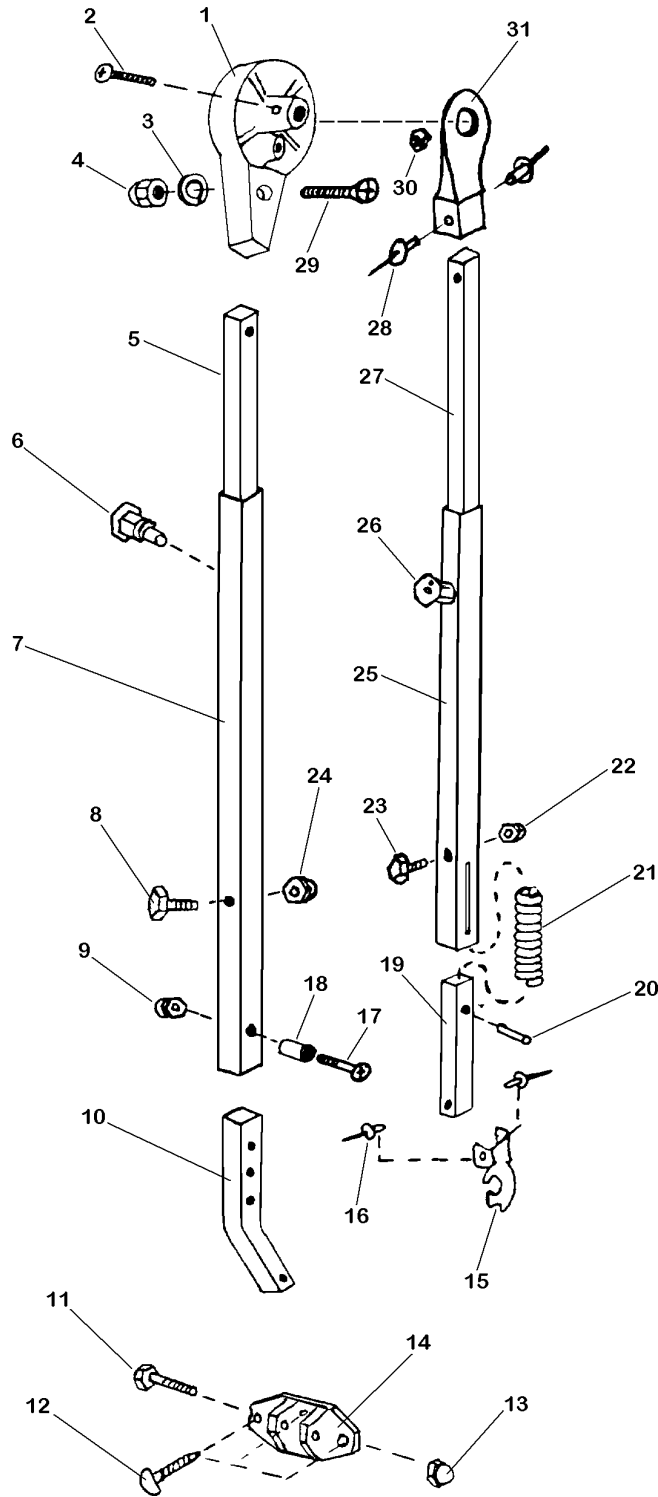


Figure 1.

Awning Support Arms, 18'-22' Patio Awning

27P1730
ZIP-3.PCX
Rev. 03-96

27P1730

Awning Support Arms

Item#	Part Number	Qty	UM	Description	Start
	P21053			AWNING ARM ASSEMBLY, COMPLETE	4789
01	215000	2	EA	HEAD CASTING ASSEMBLY	3321
02	317210	2	EA	BOLT, #10-32 X 1 1/2" (K8)(K9)	3321
03	311060	2	EA	NUT, LOCK, 1/4"-20(K1,2,7,8,9)	3341
04	311020	4	EA	NUT, CAP, 1/4"-20 (K1,2,7,8,9)	3341
05	21900F-US1	1	EA	BAR, FRONT, MAIN ARM (K8)(K9)	3341
05A	21900R-US1	1	EA	BAR, REAR, MAIN ARM (K8)(K9)	3341
06	290002	2	EA	SNAP STUD ASSEMBLY (K1,2,8,9)	3341
07	216200	2	EA	TUBE, MAIN ARM (K1,2,8,9)	3341
08	310040	2	EA	BOLT, 1/4"-20 X 1 1/4" (K1)(K3)	3341
09	311060	2	EA	NUT, LOCK, 1/4"-20(K1,2,7,8,9)	3341
10	216700-US1	2	EA	HINGE BAR (K1,2,8,9)	3341
11	310010	2	EA	BOLT, 1/4"-20 X 1 5/8" (K1,3,7)	3341
12	317040	6	EA	SCREW, #14 X 2" (K7,8,9)	3341
13	311020	4	EA	NUT, CAP, 1/4"-20 (K1,2,7,8,9)	3341
14	210060	2	EA	HINGE, FLOOR MOUNT BASE (K8,9)	3341
15	210380	2	EA	CLAW, RAFTER (K5,6,8,9)	3321
16	316220	4	EA	RIVET, BLIND, 3/16" (K3,4,8,9)	3341
17	317203	2	EA	BOLT, 1/4"-20 X 2 1/8(K1,2,8,9)	3341
18	325214	2	EA	SPACER, 1/4"ID (K1,2,8,9)	3341
19	218601	2	EA	BAR, CLAW (K5,6,8,9)	3341
20	313130	2	EA	PIN, GUIDE (K5,6,8,9) 1/8" X 11/16"	3341
21	322110	2	EA	SPRING, COMPRESSION (K5,8,9)	3341
22	311020	4	EA	NUT, CAP, 1/4"-20 (K1,2,7,8,9)	3341
23	310030	2	EA	BOLT, 1/4"-20 X 1 3/8" (K5,8,9)	3341
24	311020	4	EA	NUT, CAP, 1/4"-20 (K1,2,7,8,9)	3341
25	218200	2	EA	TUBE, RAFTER ARM (K5,8,9)	3341
26	290001	2	EA	RATCHET STUD ASSEMBLY (K5,8,9)	3341
27	217109-US1	2	EA	BAR, RAFTER ARM (K3,4,8,9)	3341
28	316220	4	EA	RIVET, BLIND, 3/16" (K3,4,8,9)	3341
29	317190	2	EA	BOLT, 1 3/8" (K7,8,9)	3341
30	311070	2	EA	NUT, LOCK, #10-32 (K8)(K9)	3321
31	210360	2	EA	LINK CASTING, RAFTER (K3,4,8,9)	3321
991	21620F-US1	1	EA	(K1) KIT -TUBE ASSEMBLY, FRONT MAIN ARM	3341
992	21620R-US1	1	EA	(K2) KIT -TUBE ASSEMBLY, REAR MAIN ARM	3341
993	21710F-US1	1	EA	(K3) KIT -BAR ASSEMBLY, FRONT RAFTER ARM	3341
994	21710R-US1	1	EA	(K4) KIT -BAR ASSEMBLY, REAR RAFTER ARM	3341
995	218210	2	EA	(K5) KIT -TUBE ASSEMBLY, RAFTER ARM	3341
996	218611	2	EA	(K6) KIT -CLAW AND BAR ASSEMBLY W/ PIN	3341
997	299502	1	EA	(K7) KIT -MOUNT KIT, UNIVERSAL HARDWARE	3341
998	1HD20F-US1	1	EA	(K8) KIT -HARDWARE, HALF SET, FRONT	3341
999	1HD20R-US1	1	EA	(K9) KIT -HARDWARE, HALF SET, REAR	3341



Foretravel, inc.

Motorhomes

**Group 2000
Electronics**

VIDEO SYSTEM, FRONT

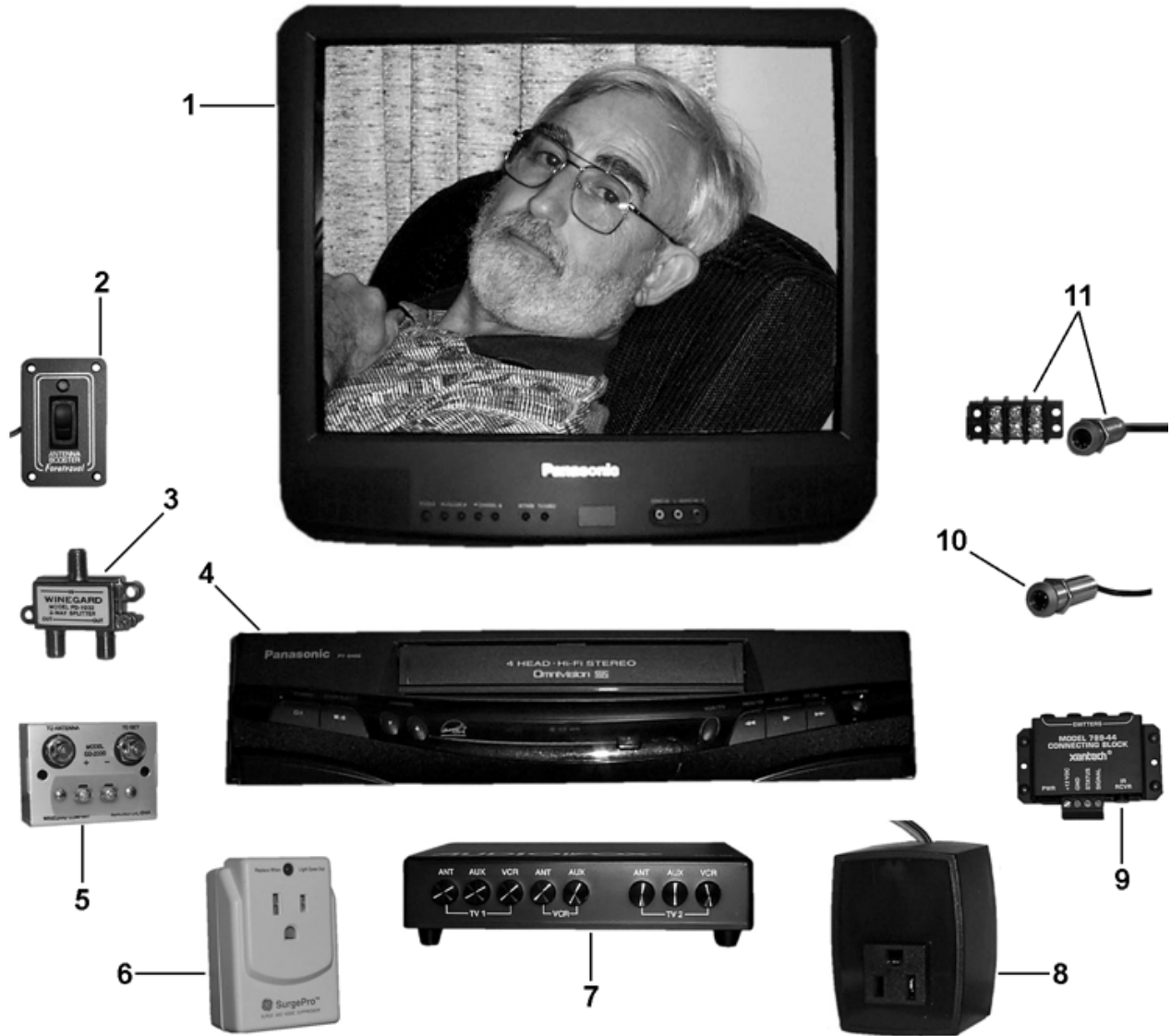


Figure 1.

Front TV / VCR and Related

27P2010

Video System, Front

Item#	Part Number	Qty	UM	Description	Start
01	P60630	CT20D10	1	EA TV, 20" W/ AUDIO OUT AND REMOTE CONTROL	5774
02	P38858	K8-A031	1	EA SWITCH, TV ANTENNA BOOSTER	4756
03	P094124	PD-0032	1	EA SPLITTER, 2-WAY TV COAX	3321
04	P28518	PV-8450	1	EA VCR, STEREO HI-FI	4979
05	P094122	SB2000	1	EA ADAPTER, BATTERY, 12 VOLT	3321
06	P0415050	VSP-102NS	2	EA PROTECTOR, ELECTRICAL SURGE	3321
07	P39500	AVCC100	1	EA SWITCH CONTROL, VIDEO	4714
08	P37308	110001	1	EA RELAY, TV CIRCUIT CUT-OFF	4561
09	P29269	789-44	1	EA CONTROL, MICRO LINK	5211
10	P29268	490-30	1	EA REMOTE, MICRO LINK, FRONT	5227
11	P34938	282-00	1	EA EMITTER, MICRO LINK	4461

VIDEO SYSTEM, REAR



Figure 1.

Rear TV

27P2015

Video System, Rear

Item#	Part Number	Qty	UM	Description	Start
01	P21061	1	EA	TV, 13" W/ REMOTE CONTROL, 110VAC	4794
02	P28933	1	EA	REMOTE, BOSE, ZONE 2	5223

AUDIO SYSTEM, FRONT



Figure 1.

27P2020

Audio System, Front

Item#	Part Number	Qty	UM	Description	Start
01	P60601				
	XF2F19B132BC	1	EA	RADIO, DASH MOUNT, CASSETTE / AM / FM	5757
02	P60602				
	55-5700	1	EA	HARNESS, DASH RADIO	5757
03	P60606				
	YU3F2F18C868-8A	1	EA	RADIO, CD / CASSETTE / AM / FM, STANDARD OPTION ONLY	5757
03A	P60605				
	XU3F18C815NA	1	EA	RADIO, AM / FM, 6-DISC IN-DASH CHANGER, OPTION ONLY	5757
04	P55100				
	SPS1629	1	EA	SPEAKER, 6.5" ROUND, ALPINE	5592
05	P60603				
	XU3F18C29AB	1	EA	CD PLAYER, REMOTE MOUNT, 6-DISC CHANGER	5757
06	P60604				
	XU3F14588DA	1	EA	HARNESS, CD CHANGER	5757

AUDIO SYSTEM, COMPARTMENT



Figure 1.

CD Changer/Speaker

27P2040

Audio System, Compartment

Item#	Part Number		Qty	UM	Description	Start
01	P60601	XF2F19B132BC	1	EA	RADIO, DASH MOUNT, CASSETTE / AM / FM	5757
01A	P60606	YU3F2F18C868-8A	1	EA	RADIO, CD / CASSETTE / AM / FM, STANDARD OPTION ONLY	5757
02	P39169	15-1528	1	EA	CABLE, COAX MALE F59 / MOTOROLA, 8'	4880
03	P50050	CM40AW	1	PR	SPEAKERS, INDOOR / OUTDOOR	5065
03A	P55100	SPS1629	1	EA	SPEAKER, 6.5" ROUND, ALPINE	5592
04	P39170	15-1835	1	EA	ANTENNA, 110V PLUG-IN FM	4880

CB RADIO

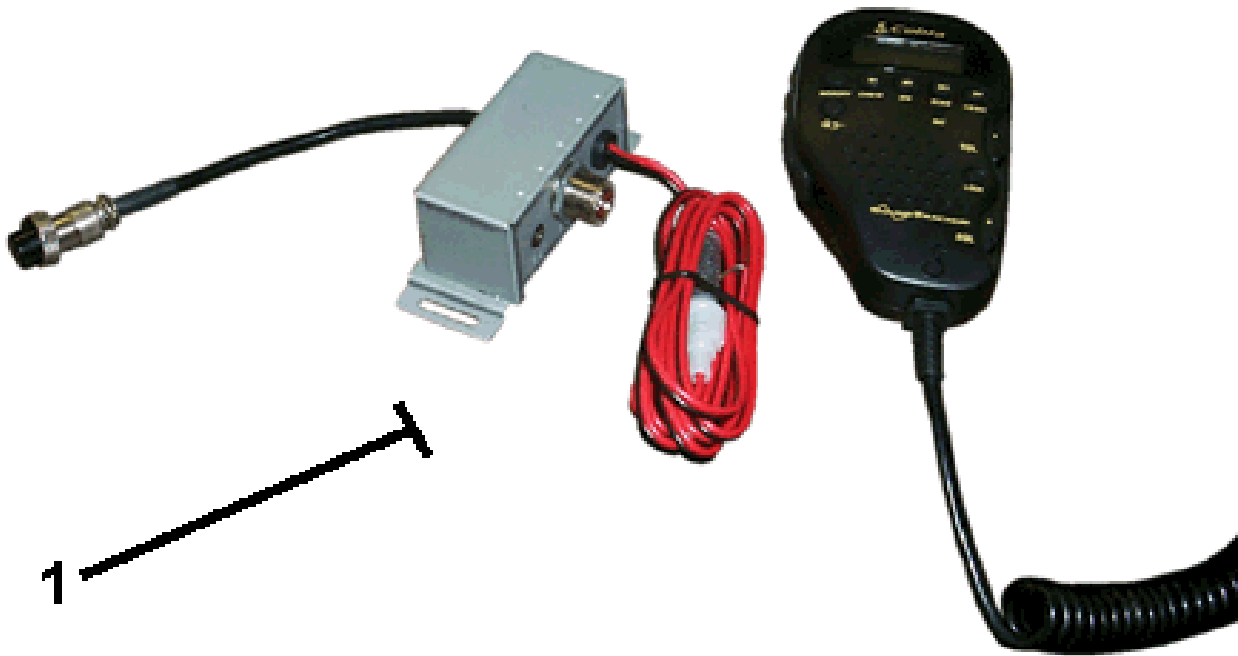


Figure 1.

Cobra 75w

27P2050

CB Radio

Item#	Part Number	Qty	UM	Description	Start
01	P29867	75WXST	1	EA CB RADIO, HAND CONTROL, REMOTE MOUNT	5361

ALARM SYSTEM OPTION

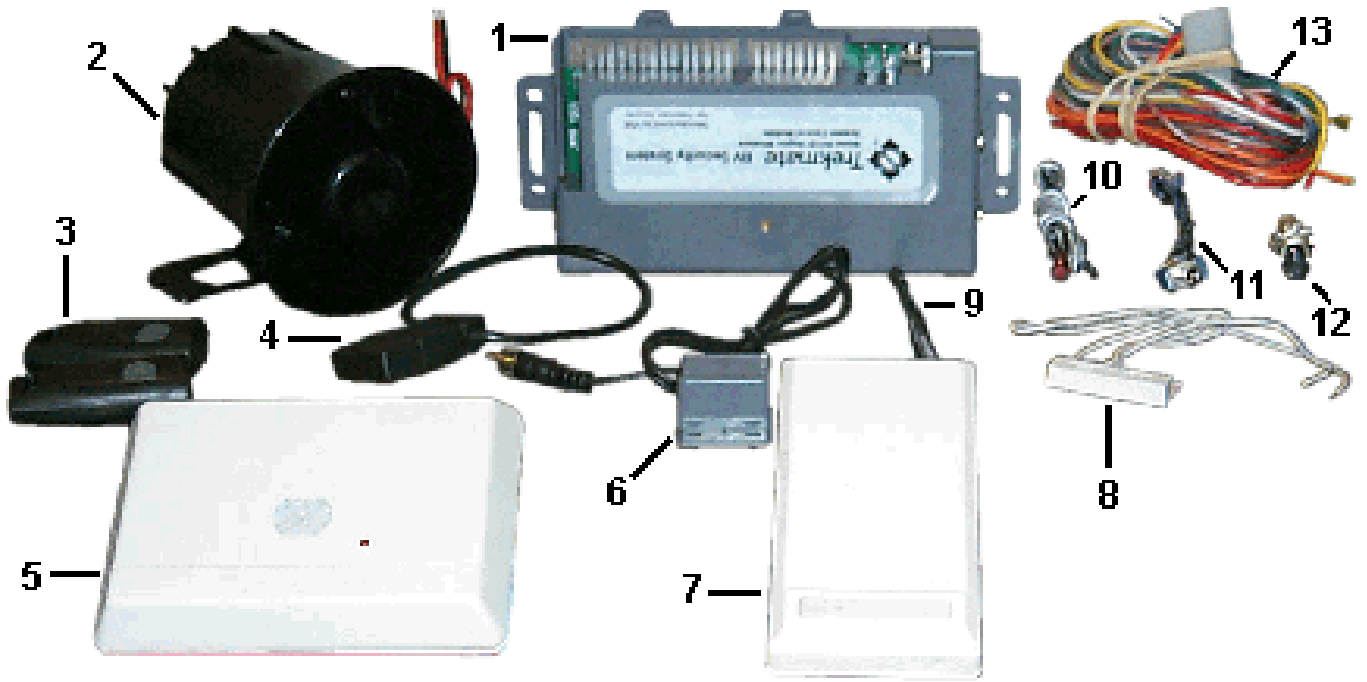


Figure 1.

27P2060

Alarm System Option

Item#	Part Number	Qty	UM	Description	Start
	P34190	737	EA	ALARM SYTEM, COACH, OPTION ONLY	4267
01	737BR	1	EA	ECU, ALARM SYSTEM CONTROL	4267
02	VS2050	1	EA	SIREN, ALARM SYSTEM	4267
03	VS9412	2	EA	REMOTE, ALARM SYSTEM	4267
04	FUSEHOLDER	1	EA	HOLDER, FUSE, ATC TYPE, ALARM SYSTEM	4267
05	GB710	2	EA	SENSOR, ALARM SYSTEM	4267
06	VS2030	1	EA	ACCUSENSOR, ALARM SYSTEM	4267
07	T800	3	EA	SENSOR, ALARM SYSTEM	4267
08	S1086	3	EA	SWITCH & MAGNET, HOOD, ALARM SYSTEM	4267
09	ANT	1	EA	ANTENNA, ALARM SYSTEM REMOTE	4267
10	VSRLED	1	EA	L.E.D., RED, ALARM SYSTEM STATUS	4267
11	VSMODE	1	EA	SWITCH, TOGGLE, MODE, ALARM SYSTEM	4267
12	PINSWITCH	1	EA	SWITCH, PIN, DOOR, ALARM SYSTEM	4267
13	TSMAIN	1	EA	HARNESS, MAIN WIRING, ALARM SYSTEM	4267
13A	TSAUX	1	EA	HARNESS, AUXILLARY WIRING, ALARM SYSTEM	4267



Foretravel, inc.

Motorhomes

Group 3000

Upholstery

DRIVER / PASSENGER CHAIR



Figure 1.

27P3020

Driver / Passenger Chair

Item#	Part Number	Qty	UM	Description	Start
01	P58280	L46-70	2	EA CHAIR, PILOT/COPILOT W/ 6-WAY BASE & REMOTE SWIVEL, #545/ALMON	5788
01A	P58283	L46-75	2	EA CHAIR, PILOT/COPILOT W/ 6-WAY BASE & REMOTE SWIVEL, #545/STRAW	5793
02	P55960	3701MSPD	2	EA BASE, D & P PEDESTAL	5692

DINING CHAIR



Figure 1.

27P3060.fm
Group 3055 Dining.PCX
Rev. 09/00

Start Unit #5788

27P3060

Dining Chair

Item#	Part Number	Qty	UM	Description	Start
01	P58269	2	EA	DINE CHAIR, VILLA, WYETH RED, #011	5803
01A	P58270	2	EA	DINE CHAIR, VILLA, PTU-597/430, #012	5788
01B	P58271	2	EA	DINE CHAIR, VILLA, 208 YELLOW, #013	5793

SWIVEL CHAIR



Figure 1.

27P3070

Swivel Chair

Item#	Part Number	Qty	UM	Description	Start
01	P58282	1	EA	SWIVEL CHAIR, #1281, ALMOND, #011-012	5788
01A	P58285	1	EA	SWIVEL CHAIR, #1281, STRAW, #013	5788
02	P34682	1	EA	23535-GMAT BASE, CHAIR, 5-POINT	4308
02A	P0849511	5	EA	22608 GLIDE, CHAIR BASE	3471
02B	P084959	1		22606 COLUMN, CHAIR, 7"	3461
02C	P34683	1	EA	2145STHR TOP BASE, SWIVEL CHAIR, TILT TOP	4308

RECLINER CHAIR



Figure 1.

27P3080

Recliner Chair

Item#	Part Number	Qty	UM	Description	Start
01	P58272	1	EA	RECLINER, #200R, ALMOND, #011-012	5803
01A	P58273	1	EA	RECLINER, #200R, STRAW, #013	5803

SOFA ASSEMBLY, 3600 WTFE

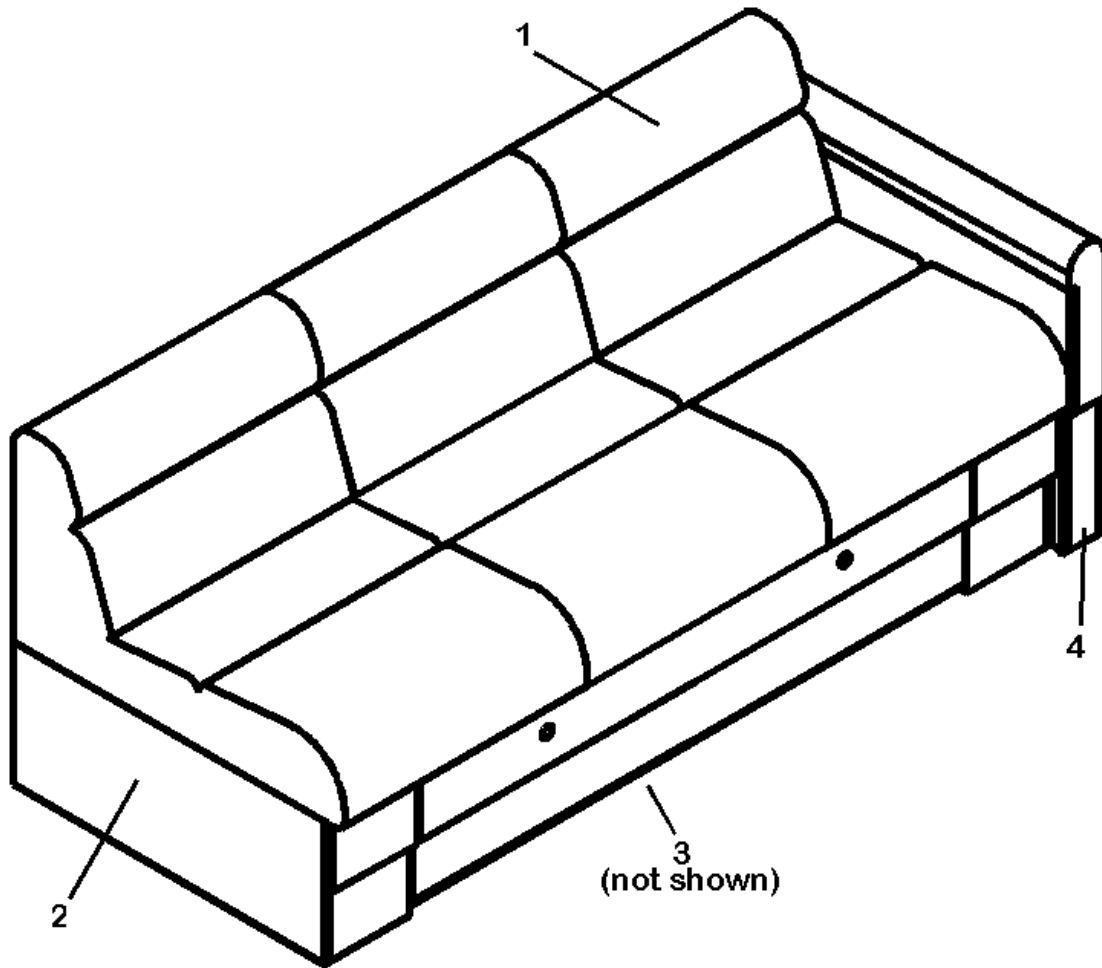


Figure 1.

27P3090

Sofa Assembly, 3600 WTFE

Item#	Part Number	Qty	UM	Description	Start
01	P58255	1	EA	SOFA, #4321, 72", PEWTER, #011	5803
01A	P58256	1	EA	SOFA, #4321, 72", U12008, #012	5788
01B	P58257	1	EA	SOFA, #4321, 72", 208 YELLOW, #013	5793
02	P57420	1	EA	BASE, SOFA, 72" FOLD DOWN, PEWTER, #011	5803
02A	P57421	1	EA	BASE, SOFA, 72" FOLD DOWN, U12008, #012	5788
02B	P57422	1	EA	BASE, SOFA, 72" FOLD DOWN, 208 YELLOW, #013	5793
03	P62009	1	EA	MECHANISM, UNCOVERED SOFA, 72"	5800
04	P58264	1	EA	END BOARD, SOFA, PEWTER, RH FACE, #011	5803
04A	P58265	1	EA	END BOARD, SOFA, U12008, RH FACE, #012	5788
04B	P58266	1	EA	END BOARD, SOFA, 208 YELLOW, RH FACE, #013	5793

SOFA ASSEMBLY, 4000 CAI

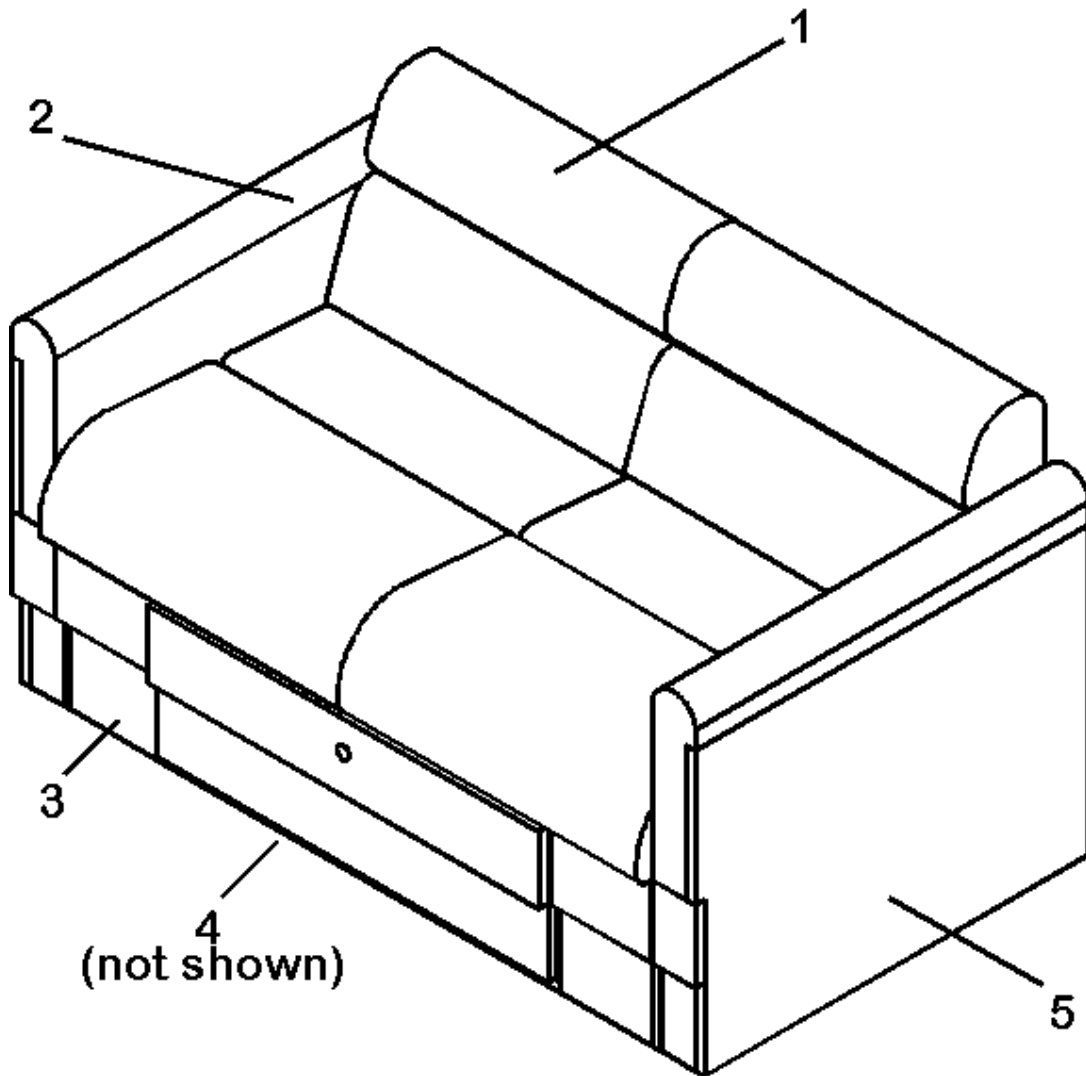


Figure 1.

27P3095

Sofa Assembly, 4000 CAI

Item#	Part Number	Qty	UM	Description	Start
01	P58255	1	EA	SOFA, #4321, 72", PEWTER, #011	5803
01A	P58256	1	EA	SOFA, #4321, 72", U12008, #012	5788
01B	P58257	1	EA	SOFA, #4321, 72", 208 YELLOW, #013	5793
02	P58261	1	EA	END BOARD, SOFA, PEWTER, LH FACE, #011	5833
02A	P58262	1	EA	END BOARD, SOFA, U12008, LH FACE, #012	5833
02B	P58263	1	EA	END BOARD, SOFA, 208 YELLOW, LH FACE, #013	5833
03	P57420	1	EA	BASE, SOFA, 72" FOLD DOWN, PEWTER, #011	5803
03A	P57421	1	EA	BASE, SOFA, 72" FOLD DOWN, U12008, #012	5788
03B	P57422	1	EA	BASE, SOFA, 72" FOLD DOWN, 208 YELLOW, #013	5793
04	P62009	1	EA	MECHANISM, UNCOVERED SOFA, 72"	5800
05	P58264	1	EA	END BOARD, SOFA, PEWTER, RH FACE, #011	5803
05A	P58265	1	EA	END BOARD, SOFA, U12008, RH FACE, #012	5788
05B	P58266	1	EA	END BOARD, SOFA, 208 YELLOW, RH FACE, #013	5793

4321-72FB

SOFA ASSEMBLY

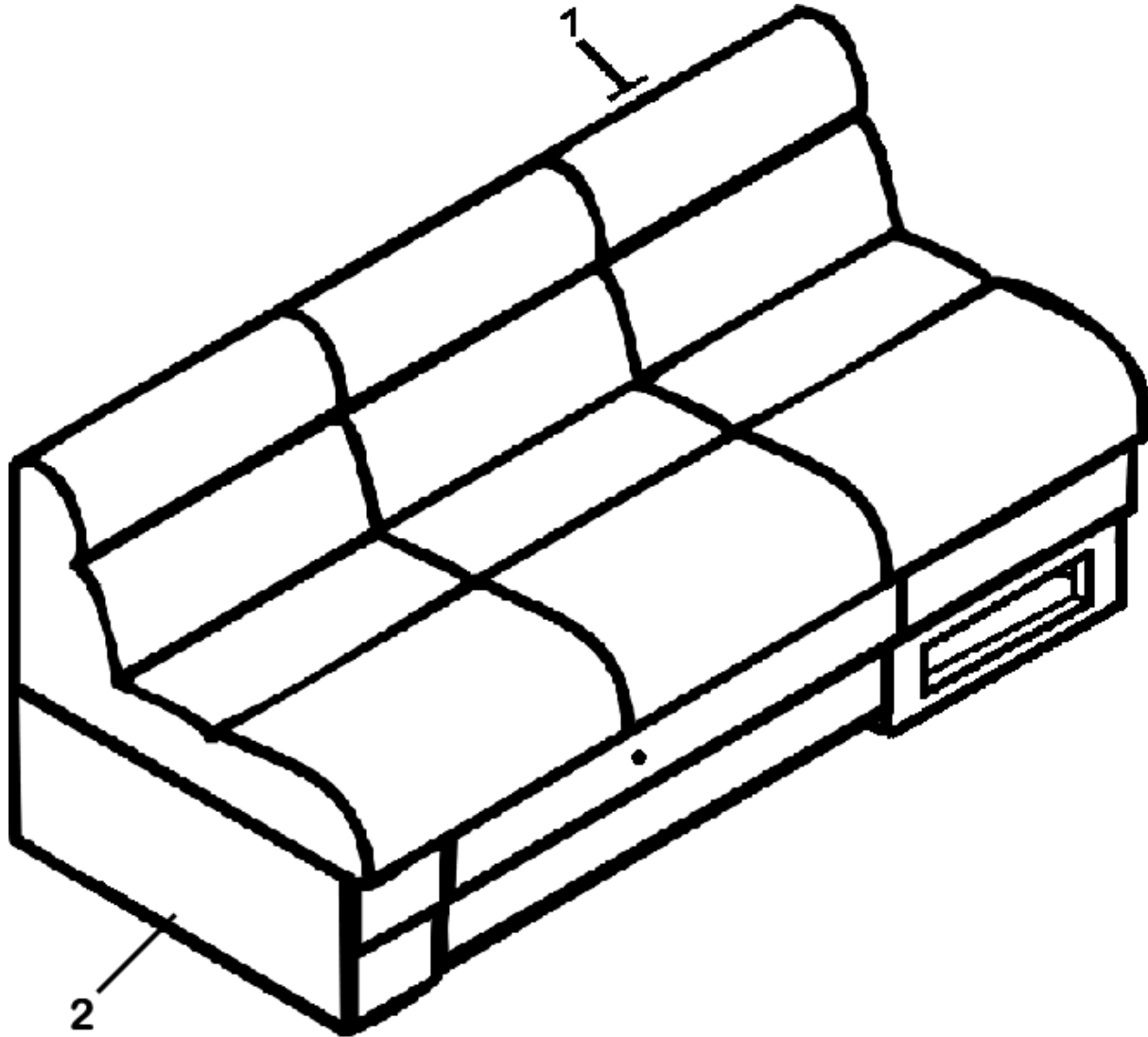


Figure 1.

Start Unit #5788

27P3100

Sofa Assembly, 3400 WTFE

Item#	Part Number	Qty	UM	Description	Start
01	P58255	1	EA	SOFA, #4321, 72", PEWTER, #011	5803
01A	P58256	1	EA	SOFA, #4321, 72", U12008, #012	5788
01B	P58257	1	EA	SOFA, #4321, 72", 208 YELLOW, #013	5793
01C	P62009	1	EA	MECHANISM, UNCOVERED SOFA, 72"	5800
02	P57420	1	EA	BASE, SOFA, 72" FOLD DOWN, PEWTER, #011	5803
02A	P57421	1	EA	BASE, SOFA, 72" FOLD DOWN, U12008, #012	5788
02B	P57422	1	EA	BASE, SOFA, 72" FOLD DOWN, 208 YELLOW, #013	5793

PILLOWS, SOFA



Figure 1.

Start Unit #5788

27P3110

Pillows, Sofa

Item#	Part Number	Qty	UM	Description	Start
01	P58243	1	EA	PILLOW, SOFA, 16" X 16", STYLE #38, 36030/605, #011	5803
02	P58244	1	EA	PILLOW, SOFA, 16" X 16", STYLE #38, 36030/555, #012	5788
03	P58245	1	EA	PILLOW, SOFA, 16" X 16", STYLE #38, THAI YELLOW, #013	5793

VALANCE, KITCHEN

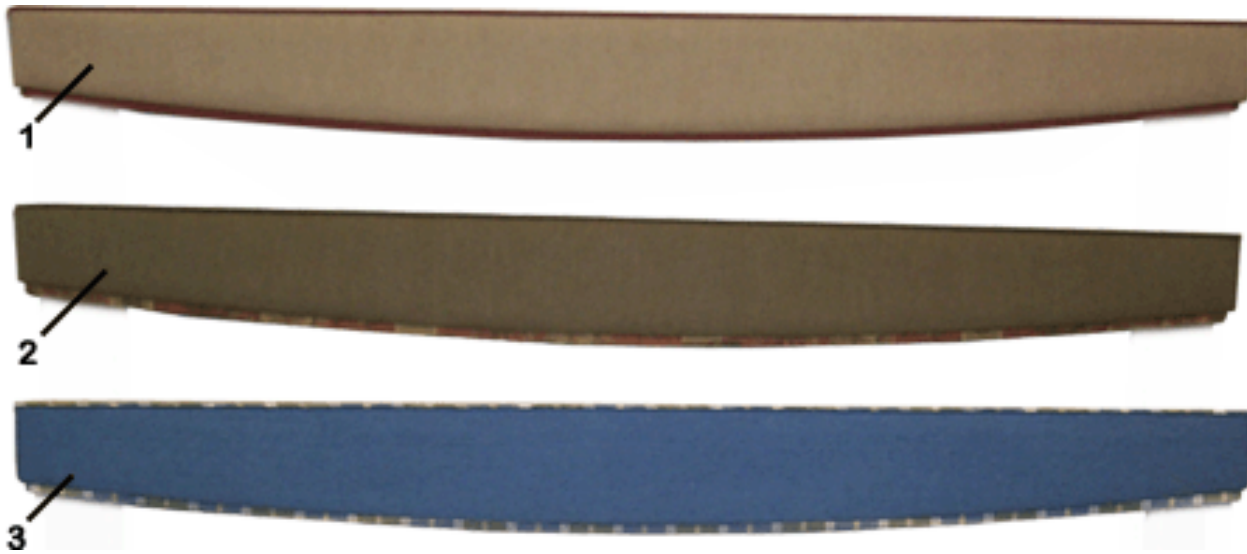


Figure 1.

Start Unit #5788

27P3138

Valance, Kitchen

Item#	Part Number	Qty	UM	Description	Start
01	P58211	1	EA	VALANCE, KITCHEN, 3600 SERIES, 25", STYLE #27, #011	5803
01A	P58212	1	EA	VALANCE, KITCHEN, 34/4000 SERIES, 34", STYLE #27, #011	5803
02	P58221	1	EA	VALANCE, KITCHEN, 3600 SERIES, 25", STYLE #27, #012	5805
02A	P58222	1	EA	VALANCE, KITCHEN, 34/4000 SERIES, 34", STYLE #27, #012	5788
03	P58231	1	EA	VALANCE, KITCHEN, 3600 SERIES, 25", STYLE #27, #013	5793
03A	P58232	1	EA	VALANCE, KITCHEN, 34/4000 SERIES, 34", STYLE #27, #013	5803

VALANCE, LIVING ROOM



Figure 1.

Start Unit #5788

27P3140

Valance, Living Room

Item#	Part Number	Qty	UM	Description	Start
01	P58207	1	EA	VALANCE, LR, 29 1/4", STYLE #27, #011	5803
01A	P58208	1	EA	VALANCE, LR, 41 1/2", STYLE #27, #011	5803
01B	P58209	1	EA	VALANCE, LR, 56 3/4", STYLE #27, #011	5803
01C	P58210	3	EA	VALANCE, LR, 62", STYLE #27, #011	5803
02	P58237	6	EA	UPRIGHT, VALANCE, 28 1/2", STYLE #6, #011	5803
02A	P58238	4	EA	UPRIGHT, VALANCE, 38 1/2", STYLE #6, #011	5803
03	P58217	1	EA	VALANCE, LR, 29 1/4", STYLE #27, #012	5788
03A	P58218	1	EA	VALANCE, LR, 41 1/2", STYLE #27, #012	5788
03B	P58219	1	EA	VALANCE, LR, 56 3/4", STYLE #27, #012	5788
03C	P58220	3	EA	VALANCE, LR, 62", STYLE #27, #012	5788
04	P58239	6	EA	UPRIGHT, VALANCE, 28 1/2", STYLE #6, #012	5788
04A	P58240	4	EA	UPRIGHT, VALANCE, 38 1/2", STYLE #6, #012	5788
05	P58227	1	EA	VALANCE, LR, 29 1/4", STYLE #27, #013	5793
05A	P58228	1	EA	VALANCE, LR, 41 1/2", STYLE #27, #013	5793
05B	P58229	1	EA	VALANCE, LR, 56 3/4", STYLE #27, #013	5793
05C	P58230	3	EA	VALANCE, LR, 62", STYLE #27, #013	5793
06	P58241	6	EA	UPRIGHT, VALANCE, 28 1/2", STYLE #6, #013	5793
06A	P58242	4	EA	UPRIGHT, VALANCE, 38 1/2", STYLE #6, #013	5793
07	P58914	2	EA	WINDOW SILL, WOOD - 00, 56 3/4" X 1", WALNUT	5782
07A	P58916	3	EA	WINDOW SILL, WOOD - 00, 62" X 1", WALNUT	5782
07B	P58918	1	EA	WINDOW SILL, WOOD - 02, 56 3/4" X 1", OAK	5803
07C	P58920	3	EA	WINDOW SILL, WOOD - 02, 62" X 1", OAK	5803
07D	P58922	1	EA	WINDOW SILL, WOOD - 03, 56 3/4" X 1", CHERRY	5782
07E	P58923	3	EA	WINDOW SILL, WOOD - 03, 62" X 1", CHERRY	5782

VALANCE, BEDROOM



Figure 1.

Start Unit #5788

27P3200

Valance, Bedroom

Item#	Part Number	Qty	UM	Description	Start
01	P58213	1	EA	VALANCE, BR, 3400, 55 1/2", STYLE #28, #011	5803
01A	P58214	1	EA	VALANCE, BR, 36/4000, 56 3/4", STYLE #28, #011	5803
01B	P58215	1	EA	VALANCE, BR, 3400, 61", STYLE #28, #011	5803
01C	P58216	1	EA	VALANCE, BR, 36/4000, 62", STYLE #28, #011	5803
02	P58223	1	EA	VALANCE, BR, 3400, 55 1/2", STYLE #28, #012	5788
02A	P58224	1	EA	VALANCE, BR, 36/4000, 56 3/4", STYLE #28, #012	5805
02B	P58225	1	EA	VALANCE, BR, 3400, 61", STYLE #28, #012	5788
02C	P58226	1	EA	VALANCE, BR, 36/4000, 62", STYLE #28, #012	5805
03	P58233	1	EA	VALANCE, BR, 3400, 55 1/2", STYLE #28, #013	5793
03A	P58234	1	EA	VALANCE, BR, 36/4000, 56 3/4", STYLE #28, #013	5805
03B	P58235	1	EA	VALANCE, BR, 3400, 61", STYLE #28, #013	5793
03C	P58236	1	EA	VALANCE, BR, 36/4000, 62", STYLE #28, #013	5805

BED TOP



Figure 1.

27P3240

Bed Top

Item#	Part Number	Qty	UM	Description	Start
01	P58252	1	EA	HEADBOARD, STYLE #6, 67711/959, #011	5803
02	P58246	1	EA	PILLOW, BR, 18" X 26", STYLE #43, RED/36030, #011	5803
03	P58249	1	EA	BEDSPREAD, STYLE #17, WYETH RED, #011	5803
04	P58253	1	EA	HEADBOARD, STYLE #6, TERRACOTTA, #012	5788
05	P58247	1	EA	PILLOW, BR, 18" X 26", STYLE #43, SPICE/EARTH, #012	5788
06	P58250	1	EA	BEDSPREAD, STYLE #17, SPICE 812, #012	5788
07	P58254	1	EA	HEADBOARD, STYLE #6, RENO/18 SKY, #013	5793
08	P58248	1	EA	PILLOW, BR, 18" X 26", STYLE #43, THAI/BUTTER, #013	5793
09	P58251	1	EA	BEDSPREAD, STYLE #17, #013	5793

SHADE, ROLLER

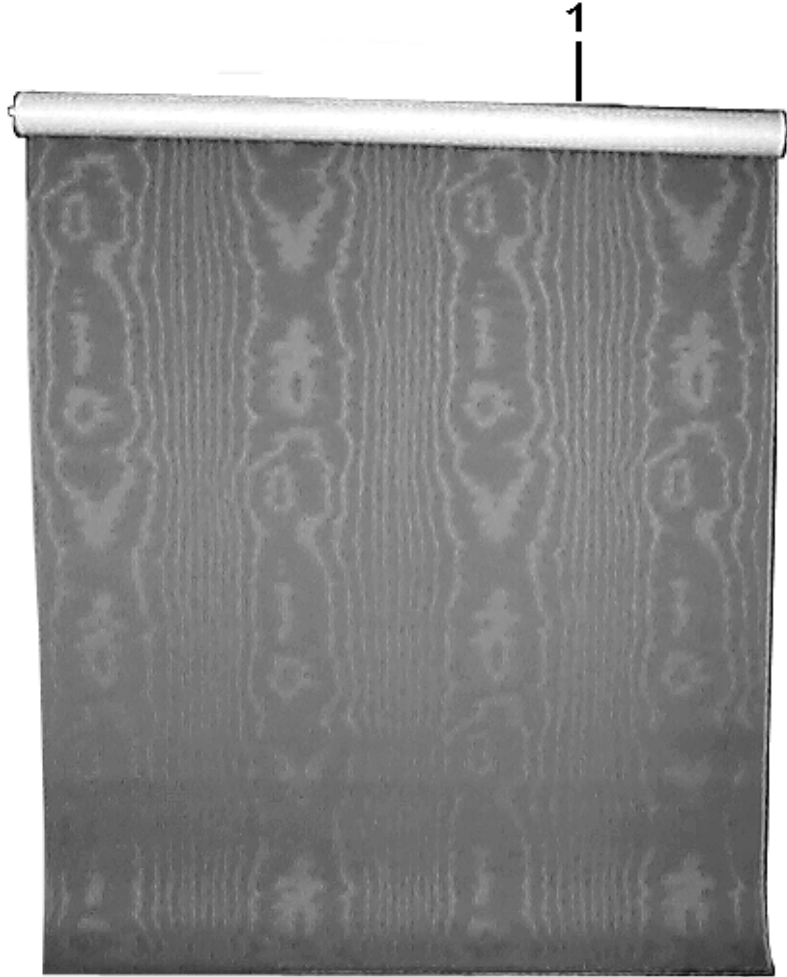


Figure 1.

27P3310.fm
Group 3310 Roll Shade.PCX
Rev. 09/00

Start Unit #5782

27P3310

Shade, Roller

Item#	Part Number	Qty	UM	Description	Start
01	P60106		EA	ROLLER SHADE, 29" X 50", JOURNEY ALMONO, #014/015	5782

WINDOW SHEER, DAY / NIGHT



Figure 1.

27P3320.fm
Group 3320 D-N Shade.PCX
Rev. 08/99

Sheer, Day/Night

27P3320-1

Window Sheer, Day / Night

Item#	Part Number	Qty	UM	Description	Start
01	P55275		EA	SHEER, PLEATED, DAY / NIGHT, 51 1/4" X 30 1/2", COTTON / ALABASTER	5595
01A	P55276		EA	SHEER, PLEATED, DAY / NIGHT, 56 1/2" X 30 1/2", COTTON / ALABASTER	5595
01B	P55277		EA	SHEER, PLEATED, DAY / NIGHT, 51 1/4" X 30 1/2", ALABASTER, #001-3	5595
01C	P55278		EA	SHEER, PLEATED, DAY / NIGHT, 56 1/2" X 30 1/2", ALABASTER, #001-3	5595
01D	P55279		EA	SHEER, PLEATED, DAY / NIGHT, 36 1/4" X 41", COTTON / ALABASTER, #001-3	5595
01E	P55280		EA	SHEER, PLEATED, DAY / NIGHT, 24 1/4" X 41", COTTON / ALABASTER, #001-3	5595
01F	P55281		EA	SHEER, PLEATED, DAY / NIGHT, 23" X 30", COTTON / ALABASTER, #001-3	5595
01G	P55282		EA	SHEER, PLEATED, DAY / NIGHT, 32" X 30", COTTON / ALABASTER, #001-3	5595



Foretravel, inc.

Motorhomes

Group 4000

Cabinet

DINING TABLE



Figure 1.

27P4010

Dining Table

Item#	Part Number	Qty	UM	Description	Start
01	P034101	1	EA	RECEPTACLE, 110V DUPLEX, IVORY	3334
02	P0924052	1	EA	RECEPTACLE, TELEPHONE JACK, IVORY	4071
03	P20138	1	EA	COVER, WIRES, DINING TABLE SUPPORT, 02 -	4794
04	P33421	1	EA	SUPPORT, DINING TABLE	4794
05	P60222	1	EA	TOP, DINING TABLE W/ LEAF, 36' WTFE (NON-SLIDE), #014-017	5788

LIVING ROOM TABLE



Figure 1.

27P4030

Living Room Table

Item#	Part Number	Qty	UM	Description	Start
01	P39569		EA	TABLE, LIVING ROOM, ALL	4754

CABINET, FRONT TV U270

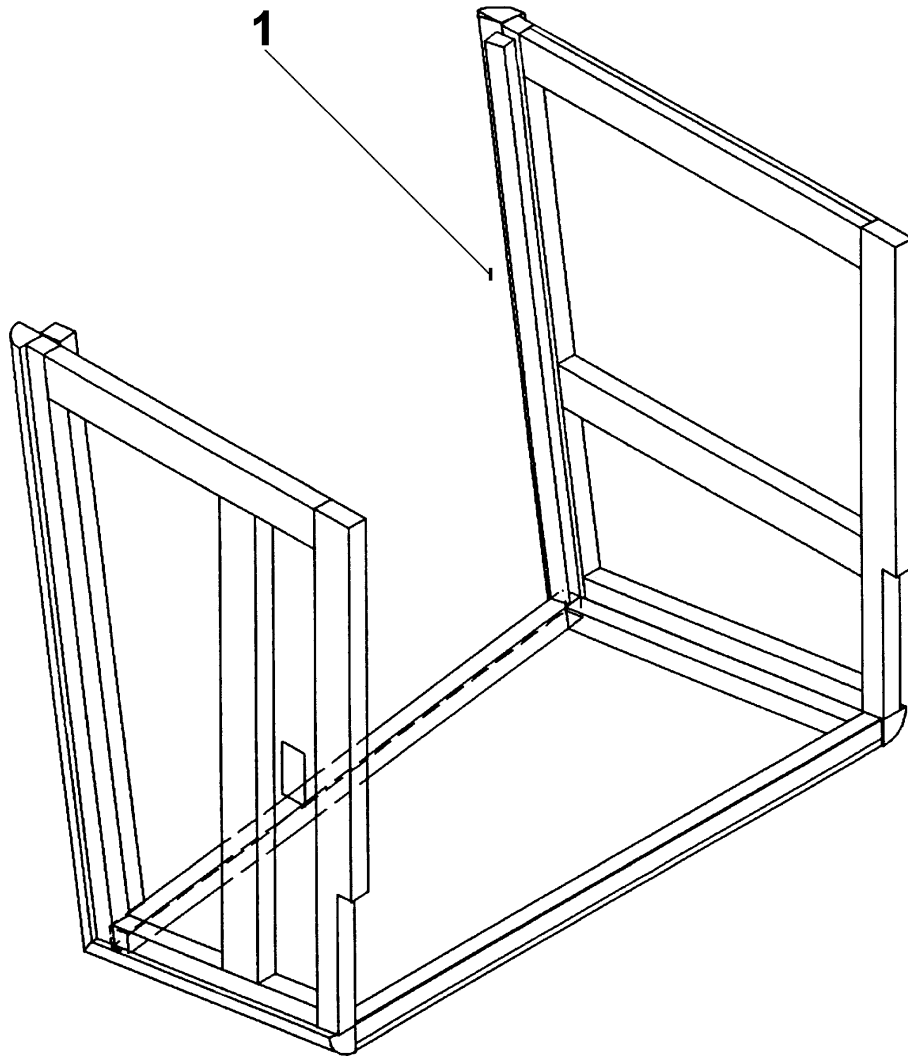


Figure 1.

28P4080
TV5592.PCX
Rev. 01-96

27P4080

Cabinet, Front TV

Item#	Part Number	Qty	UM	Description	Start
01	P37036	A5592	EA	CABINET, FRONT TV, RED OAK	4691

KITCHEN COUNTER TOP

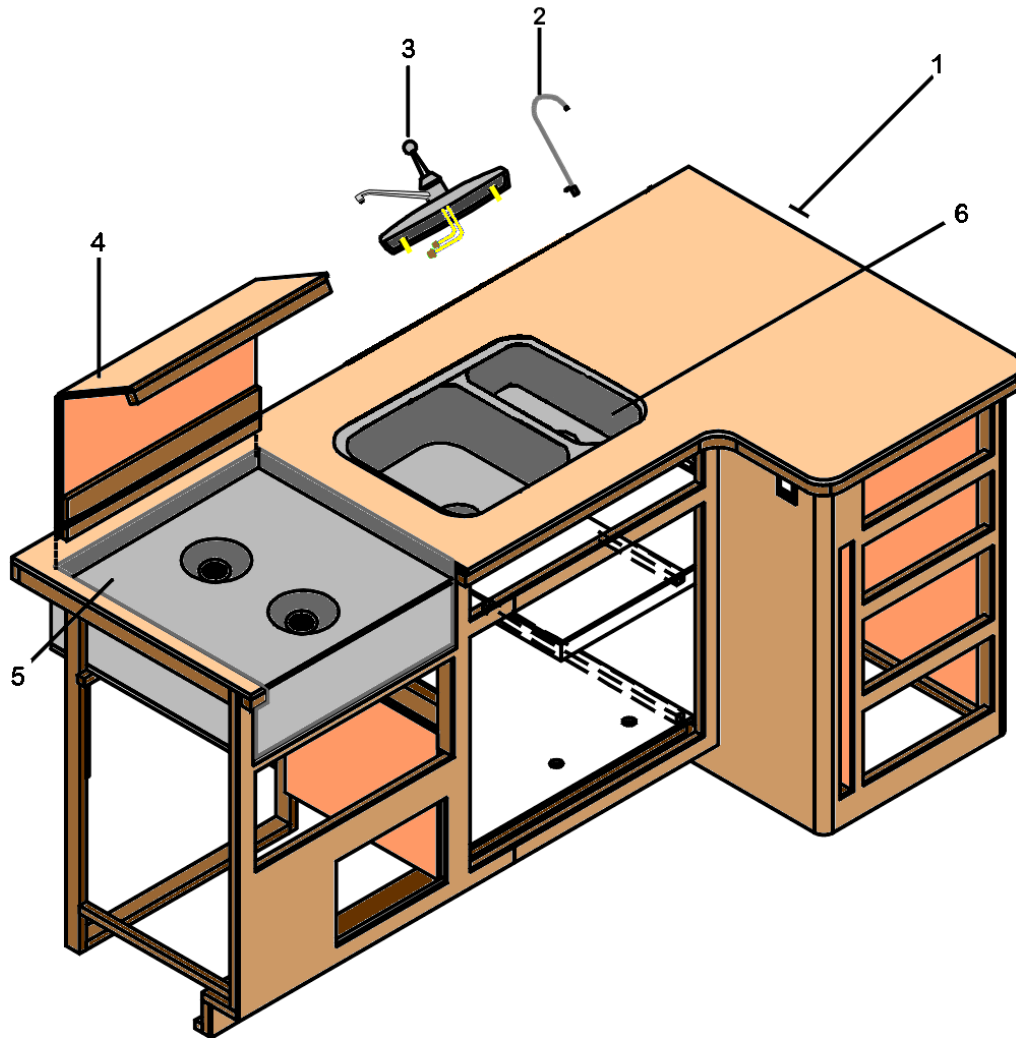


Figure 1.

27P4120

Counter Top, Kitchen

Item#	Part Number	Qty	UM	Description	Start	
01	P60239	A7521	1	EA	COUNTER TOP KIT, AURORA, 3400 WTFE, #011 - 013	5788
01A	P60241	A7522	1	EA	COUNTER TOP KIT, AURORA, 3600 WTFE, #011 - 013	5793
01B	P60243	B2309	1	EA	COUNTER TOP KIT, AURORA, 4000 CAI, #011 - 013	5803
02	P09711	0-3LRA/14W	1	EA	DISPENSER, WATER	3321
03	P054122	100-WF	1	EA	FAUCET, KITCHEN SINK	3321
04	P60274		1	EA	COVER, COOKTOP, 3 BURNER, AURORA, 34/36/4000	5787
05	P55269	56650 CA-30WE	1	EA	COOKTOP, 3-BURNER, WHITE, ELECTRONIC IGNITION	5595
05A	P55268	56651 CA-30BE	1	EA	COOKTOP, 3-BURNER, BLACK, ELECTRONIC IGNITION	5595
06	P2713	KSR 2518-0	1	EA	SINK, KITCHEN, STAINLESS	3360
06A	P2762		2	EA	STRAINER, SINK, 3 1/2"	3360

LATCHES, PART I

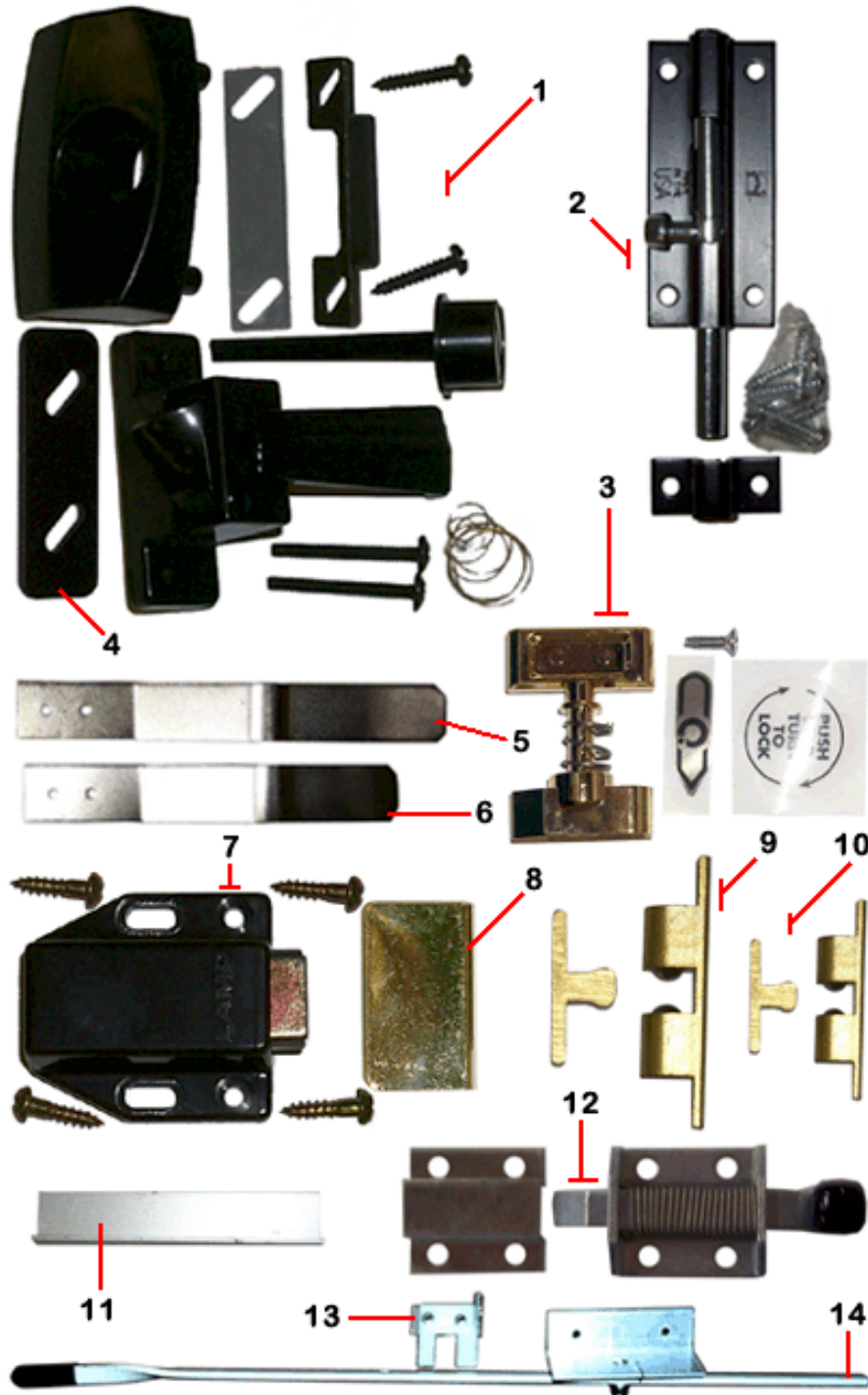


Figure 1.

27P4500

Latches, Part I

Item#	Part Number	Qty	UM	Description	Start
01	P067201	LPB333	EA	LATCH, BATHROOM DOOR	3321
02	P22482	1441A14	EA	LATCH, SLIDE BOLT, 4" BLACK	4687
03	P39484	44820	EA	LATCH, SHOWER DOOR, POLISHED BRASS	4684
04	P0672011	A6598	EA	SHIM, BLACK PLASTIC, BATHROOM DOOR LATCH	3321
05	P0335051	218	EA	LATCH, DRAWER, 5 1/2"	3321
06	P0335050	138	EA	LATCH, DRAWER, 4 13/16"	3321
07	P21405	SGML80-8N	EA	LATCH, MAGNETIC PUSH, BROWN	4725
08	P35420	245.63.826	EA	STRIKER PLATE, GLASS DOOR, POLISHED BRASS	4392
09	P35064	244.20.120	EA	BALL CATCH, 60MM, BRASS	4380
10	P061451	244.20.111	EA	BALL CATCH, 50MM, BRASS	3321
11	P60928	A7400.64	EA	STRIKER, BED TOP LATCH, ALUMINUM, 4"	5791
12	P60622	521736-0300	EA	LATCH, SLAM TYPE, BED TOP, 1" X 2.870" STEEL	5789
13	P62210	A8083	EA	CATCH ASSEMBLY, DASH TABLE LATCH	5757
14	P62209	A8083	EA	LATCH ASSEMBLY, DASH TABLE	5757

LATCHES, PART II

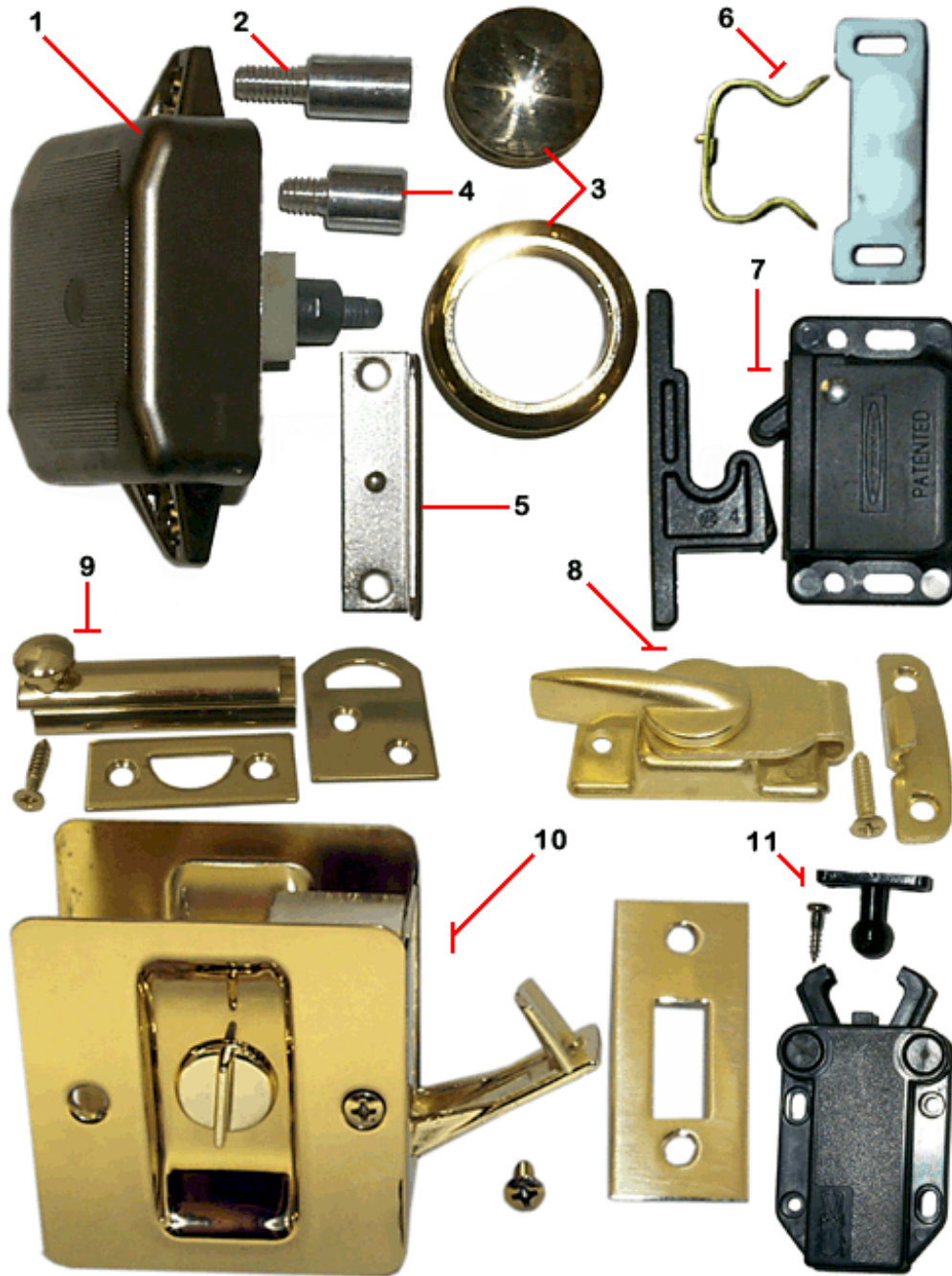


Figure 1.

27P4505

Latches, Part II

Item#	Part Number	Qty	UM	Description	Start
01	P30329	211.60.609	EA	LATCH, PUSH-BUTTON BAR LOCK	3756
02	P60600		EA	EXTENSION, 1 1/16", PUSH-BUTTON BAR LATCH	5801
03	P30331	229.01.828	EA	BUTTON AND ROSETTE, PUSH-BUTTON BAR LATCH	3756
04	P30330	6061	EA	EXTENSION, 3/4", PUSH-BUTTON BAR LATCH	3756
05	P30332	239.41.013	EA	STRIKER PLATE, PUSH-BUTTON BAR LATCH	3756
06	P06150	274-167	EA	FRICTION CATCH, PLASTIC / BRASS	3321
07	P30531	C3-205	EA	DOOR CATCH, GRABBER TYPE, BLACK PLASTIC, NON-MAGNETIC	3756
08	P34552	AM7045-3	EA	SASH LOCK, BRASS PLATED	4552
09	P0672024	0000017401	EA	LATCH, SURFACE BOLT, BRASS, 2"	3332
10	P0672023	0000017424	EA	LATCH, SLIDING PRIVACY DOOR, POLISHED BRASS	3328
11	P56618	SGMC37-BK	EA	LATCH, PUSH TO OPEN, BLACK PLASTIC, NON-MAGNETIC	5710



Foretravel, inc.

Motorhomes

**Group 5000
Modules**

DRAWER MODULE ASSEMBLY, VERTICAL MOUNT U270

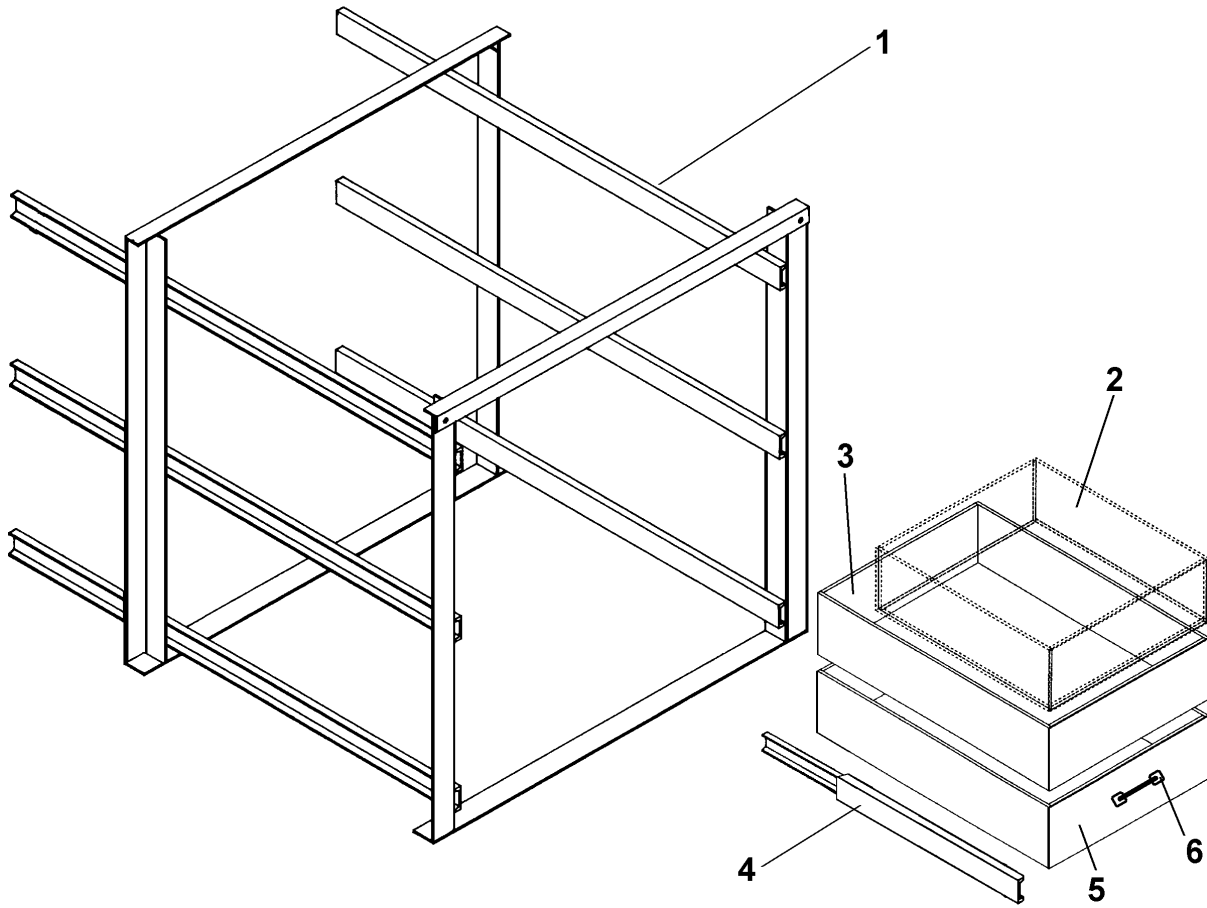


Figure 1.

Drawer Module Assembly

27P5010
5010-MOD.PCX
Rev. 05-96

27P5010

Drawer Module Assembly, Vertical Mount 3-Drw

Item#	Part Number	Qty	UM	Description	Start
	P5827			DRAWER MODULE ASSEMBLY VERTICAL MOUNT	3807
01	P31248	A4011	1	EA FRAME, DRAWER MODULE, VERTICAL	3807
02	P2491		1	EA DRAWER, FREEZER FRAME	3971
02A	P31250		3	EA DRAWER, VERTICAL STORAGE	3807
03	P31250		3	EA DRAWER, VERTICAL STORAGE	3807
04	P056700	03320-032-04	3	PR DRAWER TRACK, 32"	3365
05	P31250		3	EA DRAWER, VERTICAL STORAGE	3807
06	P021221	1336	3	EA HANDLE, FRONT END CAP, CHROME	3321

DRAWER MODULE ASSEMBLY, 17", HORIZONTAL MOUNT U270

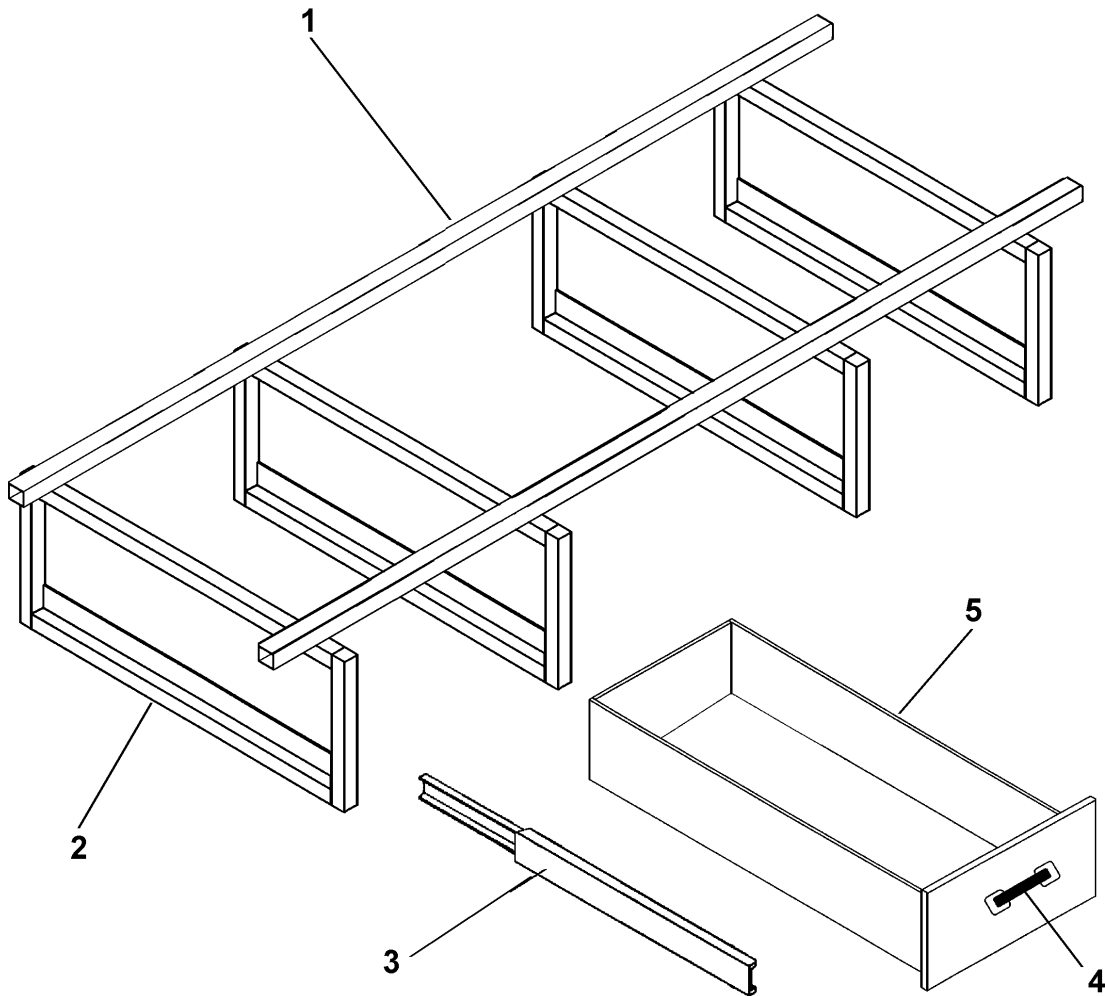


Figure 1.

Drawer Module Assembly

27P5020
5020-MOD.PCX
Rev. 05-96

27P5020

Drawer Module Assembly, 17" Horizontal Top Mt

Item#	Part Number	Qty	UM	Description	Start
	P30295			DRAWER MODULE ASSEMBLY, 17" HORIZONTAL TOP MOUNT	4360
01	P30177	2	EA	STEEL, 1.5" X 1.5" X 70"	3857
02	P30173	2	EA	FRAME, HORIZONTAL DRAWER MOUNT	3857
03	P33572	1	PR	DRAWER TRACK, 36"	4049
04	P021221	1	EA	HANDLE, FRONT END CAP, CHROME	3321
05	P30178	1	EA	DRAWER, 17" X 42 7/8" HORIZONTAL MODULE	3857
999	NOTE60			MATERIAL LIST IS "PER DRAWER" EXCEPT FOR ITEM (30177)	

DRAWER MODULE ASSEMBLY, 21", HORIZONTAL MOUNT U270

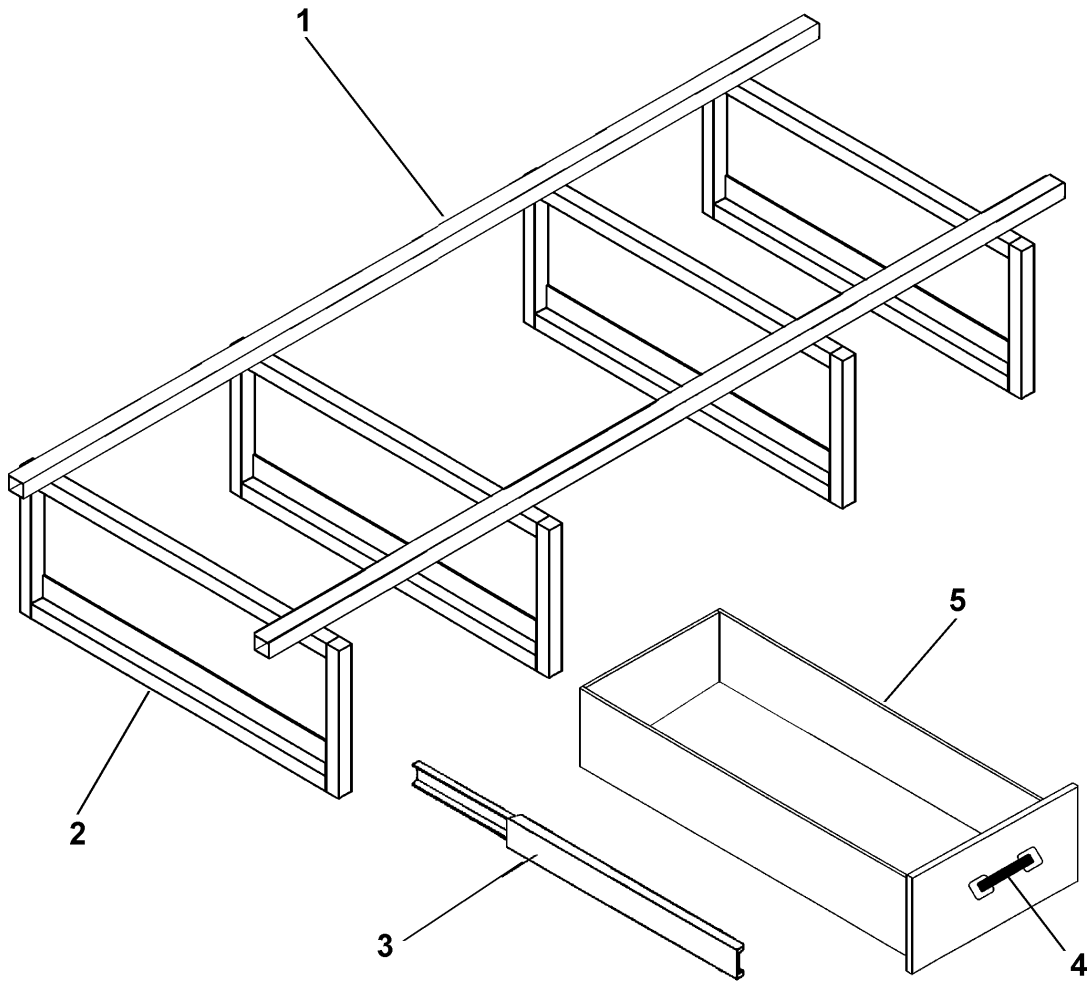


Figure 1.

Drawer Module Assembly

27P5030

Drawer Module Assembly, 21" Horizontal Mount

Item#	Part Number	Qty	UM	Description	Start
	P30296			DRAWER MODULE ASSEMBLY, 21" HORIZONTAL TOP MOUNT	4583
01	P30177	2	EA	STEEL, 1.5" X 1.5" X 70"	3857
02	P30173	2	EA	FRAME, HORIZONTAL DRAWER MOUNT	3857
03	P33572	1	PR	DRAWER TRACK, 36"	4049
04	P021221	1	EA	HANDLE, FRONT END CAP, CHROME	3321
05	P30179	1	EA	DRAWER, 21" X 42 7/8" HORIZONTAL MODULE	3857
999	NOTE60			MATERIAL LIST IS "PER DRAWER" EXCEPT FOR ITEM (30177)	

FREEZER MODULE ASSEMBLY, SLIDE-OUT U270

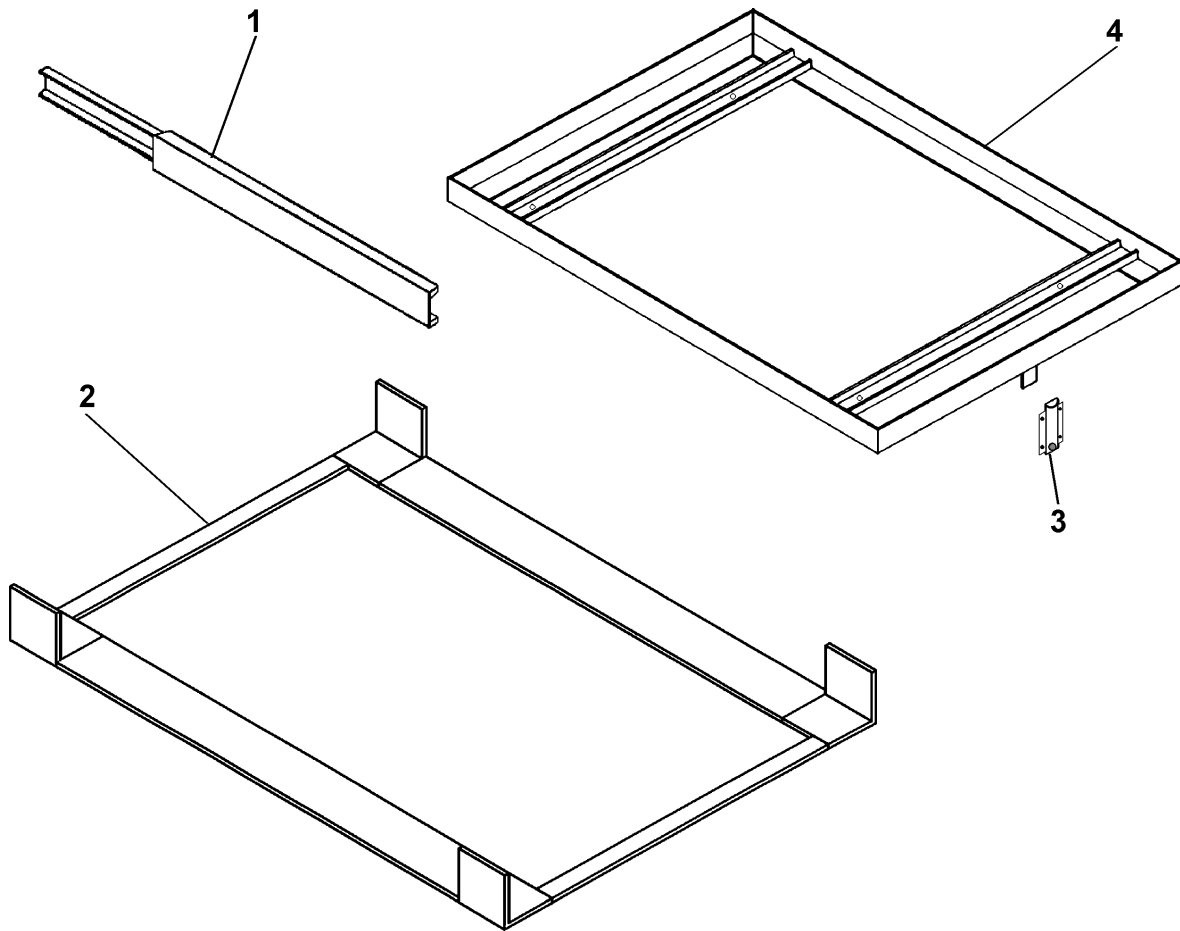


Figure 1.

27P5040

Freezer Module Assembly, Slide-out

Item#	Part Number	Qty	UM	Description	Start
	P22466			A6167 FREEZER MODULE ASSEMBLY W/O DRAWER	4872
01	P056700	1	PR	03320-032-04 DRAWER TRACK, 32"	3365
02	P22467	1	EA	A6167 BRACKET, FREEZER SLIDE-OUT MOUNTING	3530
03	P0672024	1	EA	US3/US10 LATCH, SURFACE BOLT, BRASS	3332
04	P6759	1	EA	A3554 TRAY, FREEZER SLIDE-OUT ASSM	3530

FREEZER MODULE ASSEMBLY, SLIDE-OUT W/ DRAWER U270

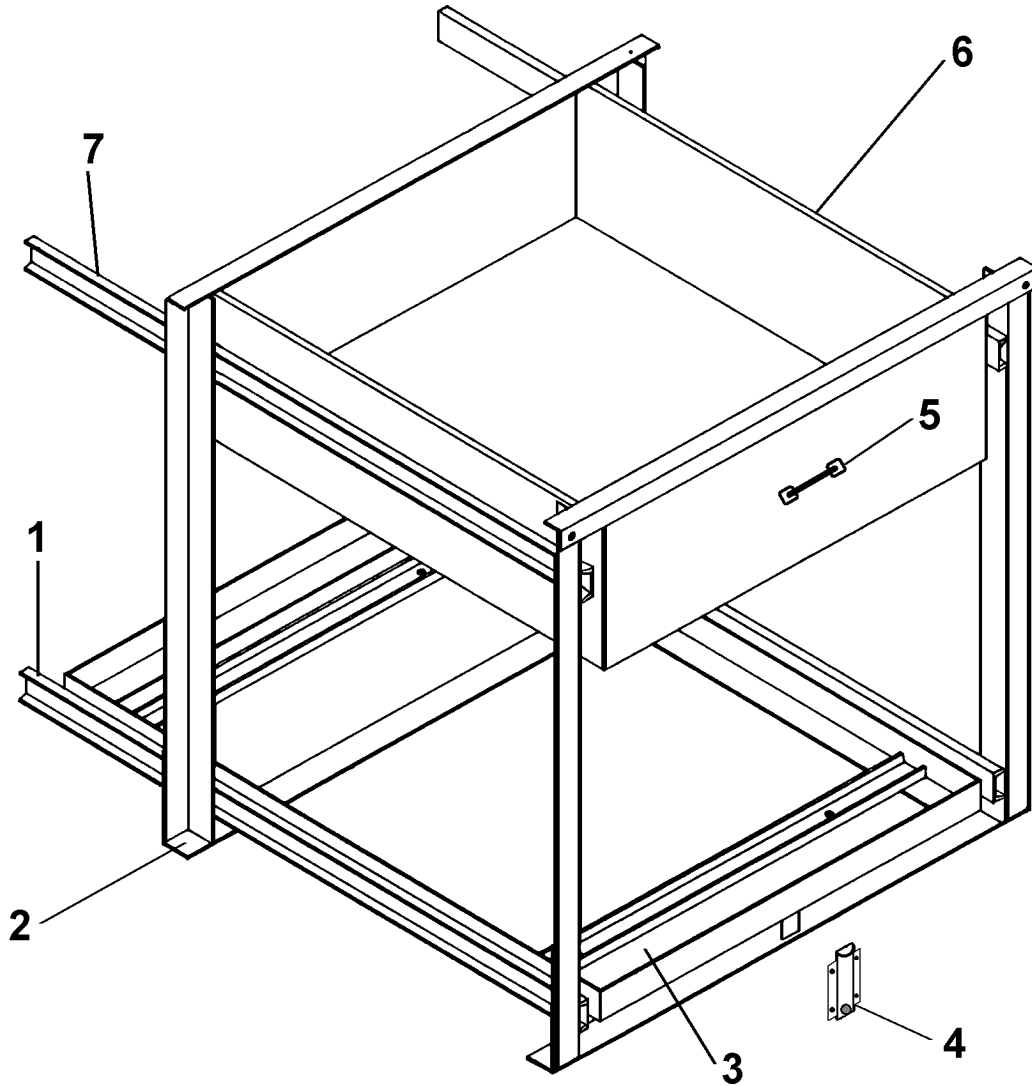


Figure 1.

Freezer Module Assembly

27P5050
5050-MOD.PCX
Rev. 05-96

27P5050

Freezer Module Assembly, Slide-out w/drawer

Item#	Part Number	Qty	UM	Description	Start
	P34140			FREEZER MODULE ASSM W/ DRAWER SLIDE-OUT	3506
01	P33572	3320-36-04	1	PR DRAWER TRACK, 36"	4049
02	P2490	A3524	1	EA FRAME, SLIDE-OUT FREEZER	3530
03	P6759	A3554	1	EA TRAY, FREEZER SLIDE-OUT ASSM	3530
04	P0672024	US3/US10	1	EA LATCH, SURFACE BOLT, BRASS	3332
05	P021221	1336	1	EA HANDLE, FRONT END CAP, CHROME	3321
06	P2491		1	EA DRAWER, FREEZER FRAME	3971
07	P056700	03320-032-04	1	PR DRAWER TRACK, 32"	3365

JOEY BED ASSEMBLY U270

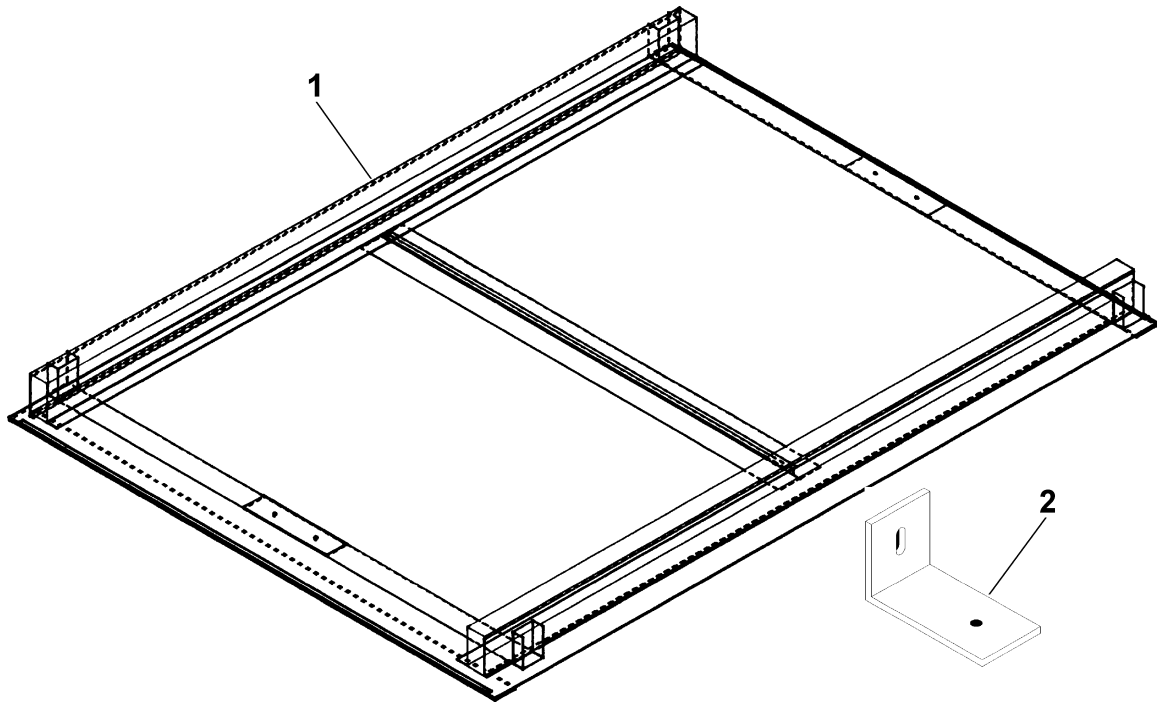


Figure 1.

27P5060
5060.JOEY.PCX
Rev. 05-96

Joey Bed Assembly

27P5060

Joey Bed Assembly

Item#	Part Number	Qty	UM	Description	Start
	NOTE61			ASSEMBLIES #A-C INCLUDE BOLTS	
00A	P27630	1	EA	CARGO TRAY ASSEMBLY, 67" X 47"	5086
00B	P27361	1	EA	CARGO TRAY ASSEMBLY, 38" X 47"	5147
01	P27615	1	EA	CARGO TRAY, 67" X 47"	5086
02	P27616	1	EA	CARGO TRAY, 38" X 47"	5147



Foretravel, inc.

Motorhomes

Group 6000
Plumbing Fixtures

FAUCET, LAVATORY, STANDARD

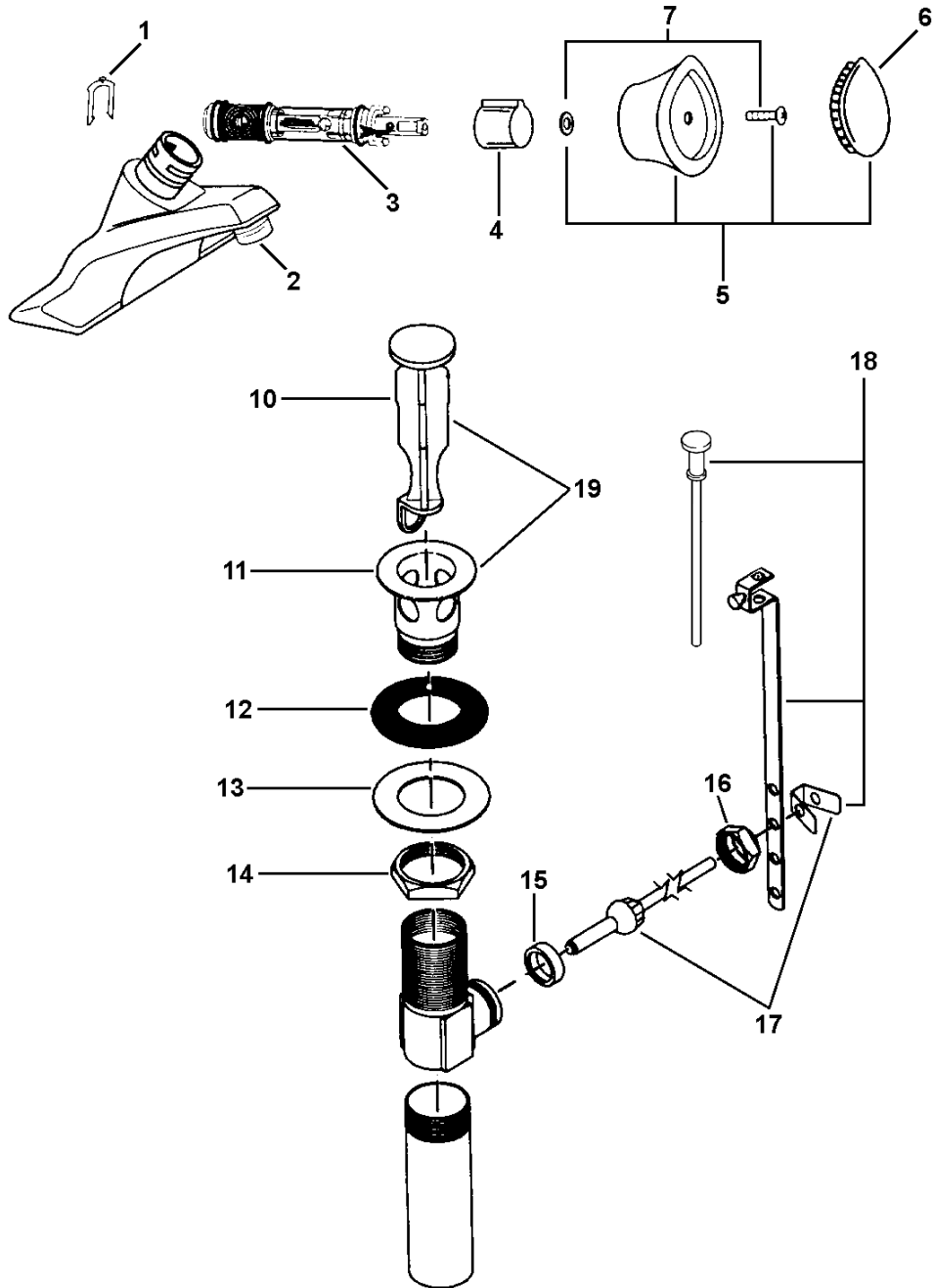


Figure 1.

Standard

27P6010

Faucet, Lavatory, Standard

Item#	Part Number	Qty	UM	Description	Start
	P054115				
	64621P				
01	883	1	EA	FAUCET, LAVATORY, POLISHED BRASS	3321
02	99491	1	EA	CLIP, CARTRIDGE RETAINER	3321
03	1225	1	EA	AERATOR, FLOW CONTROL, FAUCET	3321
04	99548	1	EA	CARTRIDGE, FAUCET CONTROL	3321
05	96792	1	EA	STOP TUBE, HANDLE TO CARTRIDGE	3321
06	91754	1	KT	KNOB KIT, FAUCET CONTROL	3321
07	96804	1	KT	INSERT, SHOWER KNOB COVER	3321
10	99492	1	EA	KIT, HARDWARE, FAUCET CONTROL KNOB	3321
11	1185	1	EA	PLUG ONLY, WASTE ASSEMBLY	3321
12	11248	1	EA	SEAT, WASTE ASSEMBLY	3321
13	1217	1	EA	GASKET, BOTTOM SEAT	3321
14	1219	1	EA	WASHER, BOTTOM SEAT	3321
15	14103	1	EA	NUT, MOUNTING	3321
16	14104	1	EA	SEAT, PIVOT ROD	3321
17	12689	1	EA	NUT, PIVOT ROD	3321
18	99511	1	EA	KIT, PIVOT ROD & CLIP	3321
19	99512	1	EA	KIT, LIFT ROD & KNOB	3321
				KIT, WASTE PLUG & SEAT	3321

TUB / SHOWER FAUCET ASSEMBLY

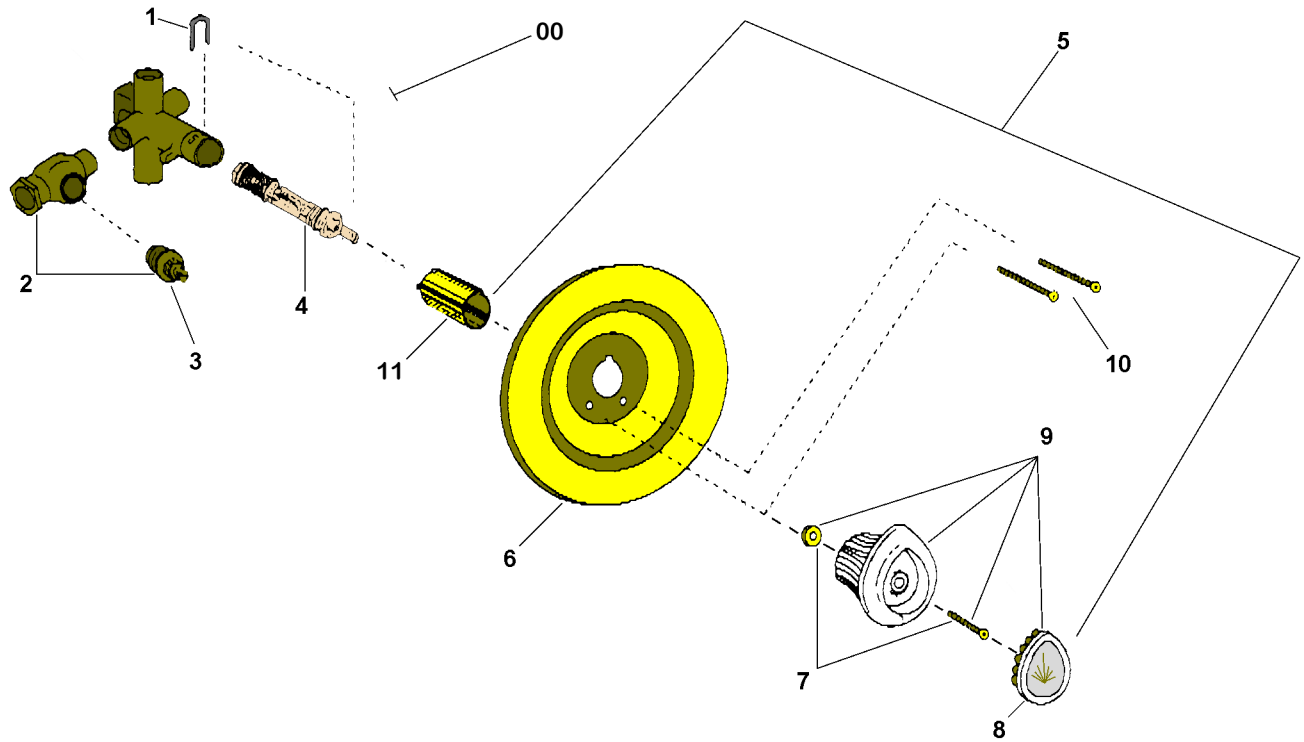


Figure 1.

27P6025

Faucet, Shower, Polished Brass

Item#	Part Number	Qty	UM	Description	Start
	P56012			62700	
			EA	VALVE, TUB / SHOWER, 4-PORT	5632
01	883	1	EA	CLIP, CARTRIDGE RETAINER	3321
02	12318	1	KT	KIT, STOP / CHECK VALVE	3321
03	1922	1	KT	STOP / CHECK VALVE ONLY	3321
04	1225	1	EA	CARTRIDGE, FAUCET CONTROL	3321
05	P56013			T470P	
			EA	TRIM KIT, POLISHED BRASS, TUB VALVE	5632
06	16098	1	EA	ESCUTCHEON, SHOWER VALVE	3321
07	96806	1	KT	KIT, HARDWARE, SHOWER KNOB	3321
08	91754	1	KT	INSERT, SHOWER KNOB COVER	3321
09	96798	1	KT	KNOB KIT, SHOWER VALVE	3321
10	99498	2	EA	SCREW, ESCUTCHEON, POLISHED BRASS	3321

TOILET ASSEMBLY, SHORT

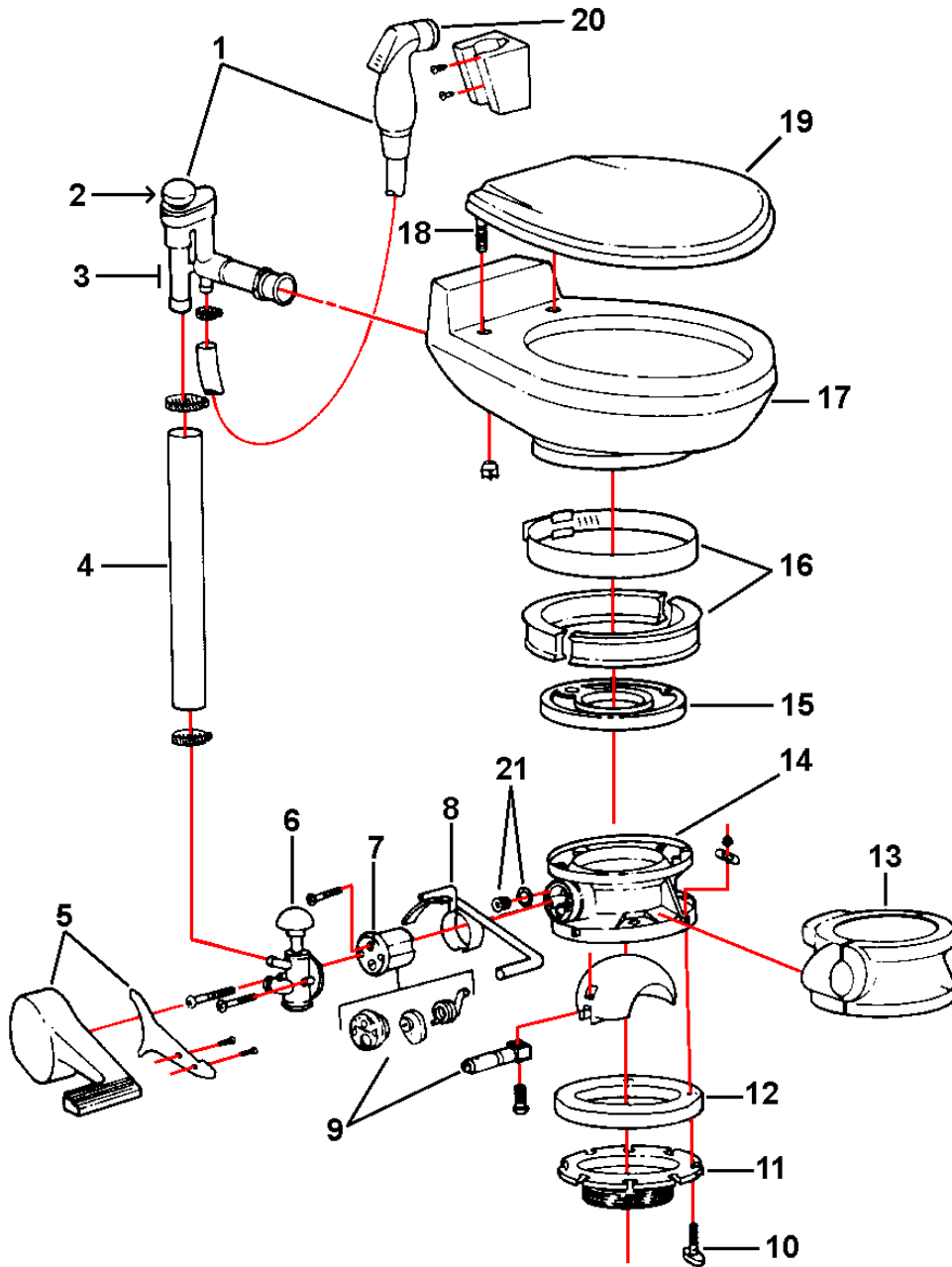


Figure 1.

27P6030

Toilet Assembly, Short

Item#	Part Number	Qty	UM	Description	Start
	P092512			TOILET, SHORT, #51L BONE	
					302551103
01	319055	1	KT	KIT, VACUUM BREAKER W/ HAND SPRAYER	4071
02	318065	1	KT	KIT, VACUUM BREAKER	4071
03	230325	1	KT	VACUUM BREAKER ASSEMBLY W/ DIVERTER VALVE	4071
04	340177	1	EA	SUPPLY HOSE, TOILET	4071
05	310118	1	KT	KIT, PEDAL COVER, TOILET, SHORT	4071
06	314349	1	KT	KIT, WATER VALVE	4071
07	236096	1	EA	SPRING CARTRIDGE ASSEMBLY	4071
08	340873	1	EA	LEVER, TOILET FLUSH, SHORT	4071
09	318162	1	KT	KIT, BALL / SHAFT / CARTRIDGE	4071
10	310064	1	KT	KIT, FLOOR BOLTS, TOILET MOUNT	4071
11	346056	1	EA	FLOOR FLANGE W/ 3" MPT	4071
12	341549	1	EA	SEAL, FLOOR FLANGE, TOILET	4071
13	310109	1	KT	KIT, PEDESTAL COVER, SHORT	4071
14	310124	1	KT	KIT, TOILET BASE, SHORT	4071
15	316140	1	KT	SEAL KIT, TEFLON / RUBBER, TOILET	4071
16	310048	1	KT	KIT, RING AND HALF CLAMP	4071
17	310081	1	EA	CHINA BOWL W/ VACUUM BREAKER, TOILET	4071
18	341707	1	EA	HINGE HARDWARE, TOILET SEAT	4071
19	340816	1	EA	SEAT ASSEMBLY, TOILET	4071
20	340683	1	EA	HANDSPRAYER WITH HOSE	4071
21	316142	1	KT	KIT, DRAIN PLUG / CAP / SEALS	4071

TOILET ASSEMBLY, TALL

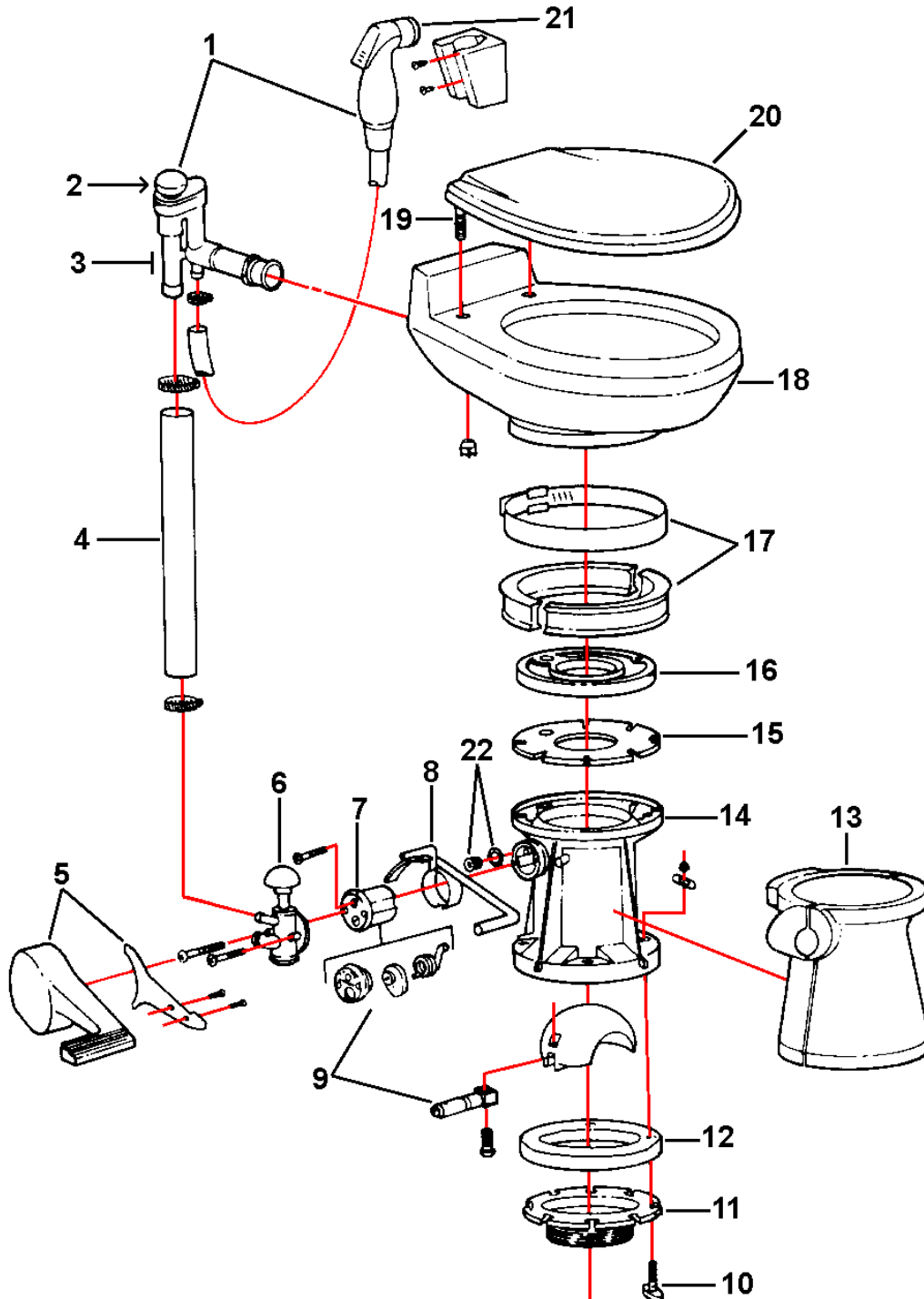


Figure 1.

27P6035

Toilet Assembly, Tall

Item#	Part Number	Qty	UM	Description	Start
	P32680			30255100	
			EA	TOILET, TALL, #510 BONE	4071
01	319055	1	KT	KIT, VACUUM BREAKER W/ HAND SPRAYER	4071
02	318065	1	KT	KIT, VACUUM BREAKER	4071
03	230325	1	KT	VACUUM BREAKER ASSEMBLY W/ DIVERTER VALVE	4071
04	340177	1	EA	SUPPLY HOSE, TOILET	4071
05	310115	1	KT	KIT, PEDAL COVER, TOILET, TALL	4071
06	314349	1	KT	KIT, WATER VALVE	4071
07	236096	1	EA	SPRING CARTRIDGE ASSEMBLY	4071
08	340825	1	EA	LEVER, TOILET FLUSH, TALL	4071
09	318162	1	KT	KIT, BALL / SHAFT / CARTRIDGE	4071
10	310064	1	KT	KIT, FLOOR BOLTS, TOILET MOUNT	4071
11	346056	1	EA	FLOOR FLANGE W/ 3" MPT	4071
12	341549	1	EA	SEAL, FLOOR FLANGE, TOILET	4071
13	310112	1	KT	KIT, PEDESTAL COVER, TALL	4071
14	310121	1	KT	KIT, TOILET BASE, TALL	4071
15	346405	1	EA	SEAL, SUPPORT BASE, TOILET	4071
16	316140	1	KT	SEAL KIT, TEFLON / RUBBER, TOILET	4071
17	310048	1	KT	KIT, RING AND HALF CLAMP	4071
18	310081	1	EA	CHINA BOWL W/ VACUUM BREAKER, TOILET	4071
19	341707	1	EA	HINGE HARDWARE, TOILET SEAT	4071
20	340816	1	EA	SEAT ASSEMBLY, TOILET	4071
21	340683	1	EA	HANDSPRAYER WITH HOSE	4071
22	316142	1	KT	KIT, DRAIN PLUG / CAP / SEALS	4071

FAUCET, SINK

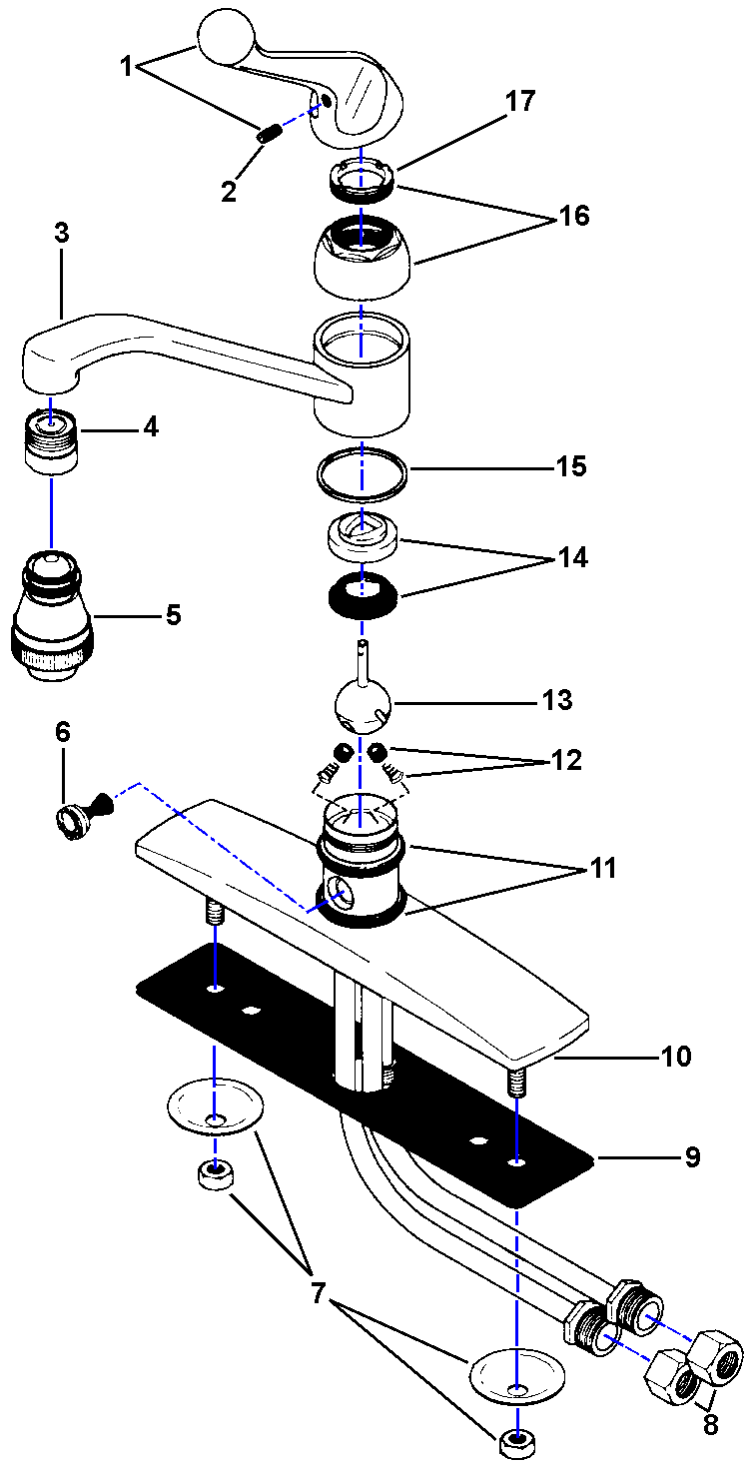


Figure 1.

Standard

27P6065

Faucet Assembly, Sink

Item#	Part Number	Qty	UM	Description	Start
	P054122				
	100-WF				
01	RP2393	1	EA	FAUCET, KITCHEN SINK	3321
02	RP152	1	EA	HANDLE W/ SET SCREW, FAUCET	3321
03	RP5654	1	EA	SET SCREW	3321
04	RP330	1	EA	SPOUT, 8", FAUCET	3321
05	RP2189	1	EA	AERATOR, FIXED, FAUCET	3321
06	RP320	1	EA	AERATOR, SWIVEL, FAUCET	3321
07	RP6001	1	EA	DIVERTER ASSEMBLY, FAUCET	3321
08	RP5861	1	KT	KIT, NUTS / WASHERS, FAUCET MOUNT	3321
09	RP334	1	EA	NUT, COUPLING, SUPPLY TO FAUCET	5331
09A	RP20390	1	EA	GASKET, FAUCET TO COUNTER, BLACK	3321
10	RP1063	1	EA	GASKET, FAUCET TO COUNTER, WHITE	3321
11	RP25	1	EA	ESCUTCHEON, FAUCET, CHROME	3321
12	RP4993	1	EA	O-RINGS, FAUCET, SPOUT SEAL	3321
13	RP70	1	KT	KIT, SEATS AND SPRINGS, FAUCET	5331
14	RP61	1	EA	BALL ASSEMBLY, FAUCET CONTROL	3321
15	RP6044	1	EA	CAM & PACKING, FAUCET	3321
16	RP50	1	EA	SLIP RING, FAUCET	3321
17	RP250	1	EA	CAP W/ ADJUSTING RING, FAUCET	3321
			EA	ADJUSTING RING, FAUCET	3321



Foretravel, inc.

Motorhomes

Group 7000
Lighting

LAMP, SWIVEL ARM, WALL MOUNT

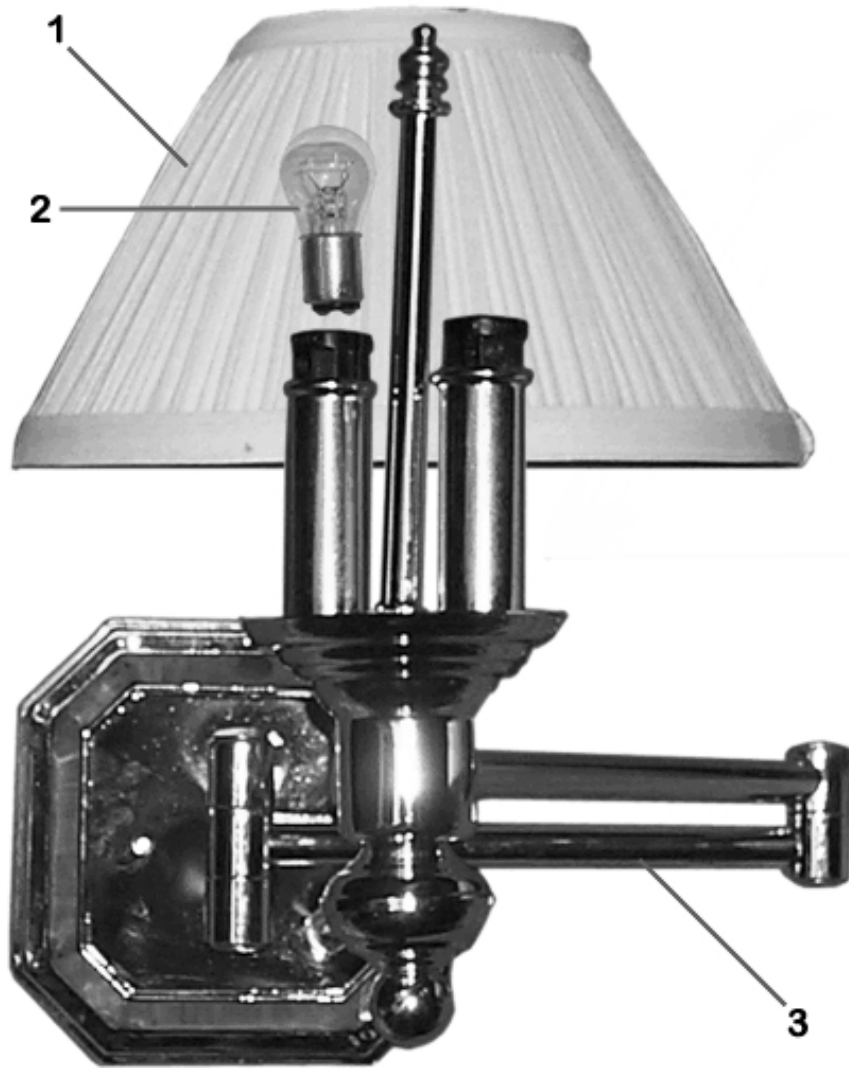


Figure 1.

Start Unit #5788

27P7010

Swing Arm Wall Lamp

Item#	Part Number	Qty	UM	Description	Start
01	P61004	79	122X1AS	1 EA SHADE, LAMP, CREAM MONACO	5757
02	P32468	1076	2	EA BULB, 12 VOLT, DUAL CONTACT	3950
03	P61010	54	508X7YZ15	1 EA LAMP, SWIVEL ARM WITH LOCK, WALL MOUNT	5788

LIGHT, MAKEUP, 36-40' CAI/WTFE



Figure 1.

Polish Brass

27P7040
Group 7040 Light (all).PCX
Rev. 09/98

27P7040

Makeup Light, 36' - 40' CAI/WTFE

Item#	Part Number	Qty	UM	Description	Start
01	P32466	58FT523	1	EA LIGHT, MAKEUP, 15", POLISHED BRASS	3964
02	P38878	71-9019F	3	EA BULB, 12 VOLT, SINGLE CONTACT, FROSTED	4655

LIGHT, 10" LAZER



Figure 1.

Clear w/ clips

27P7045

10" Lazer Light

Item#	Part Number	Qty	UM	Description	Start
01	P22053	80010	2	EA LIGHT, 10" LAZER W/ 3 CLIPS, CLEAR	4989

LIGHT, 8" MAP

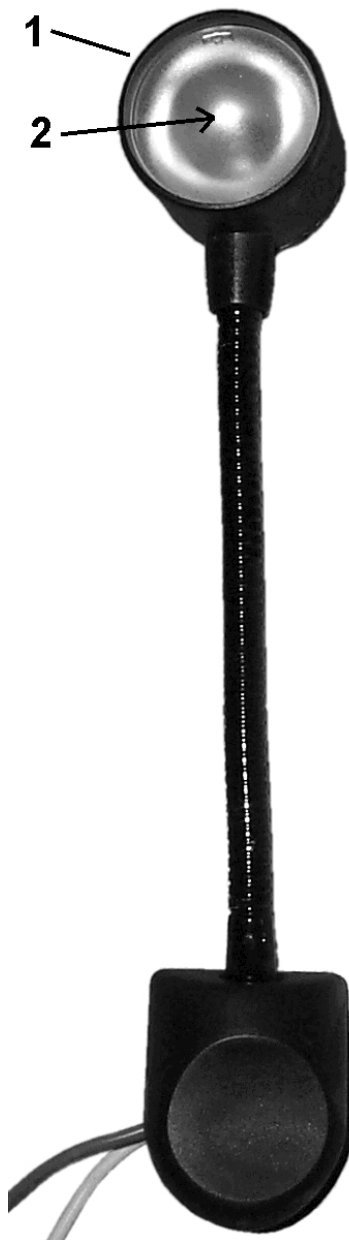


Figure 1.

Flexible Head

27P7050
Group 7050 Light (all).PCX
Rev. 09/98

27P7050

8" Map Light

Item#	Part Number	Qty	UM	Description	Start
01	P30575	1	EA	LIGHT, MAP READING, 8" FLEXIBLE HEAD	3756
02	1816	1	EA	BULB, 12 VOLT, 3 WATT, SINGLE CONTACT	3321

LIGHT, INCANDESCENT

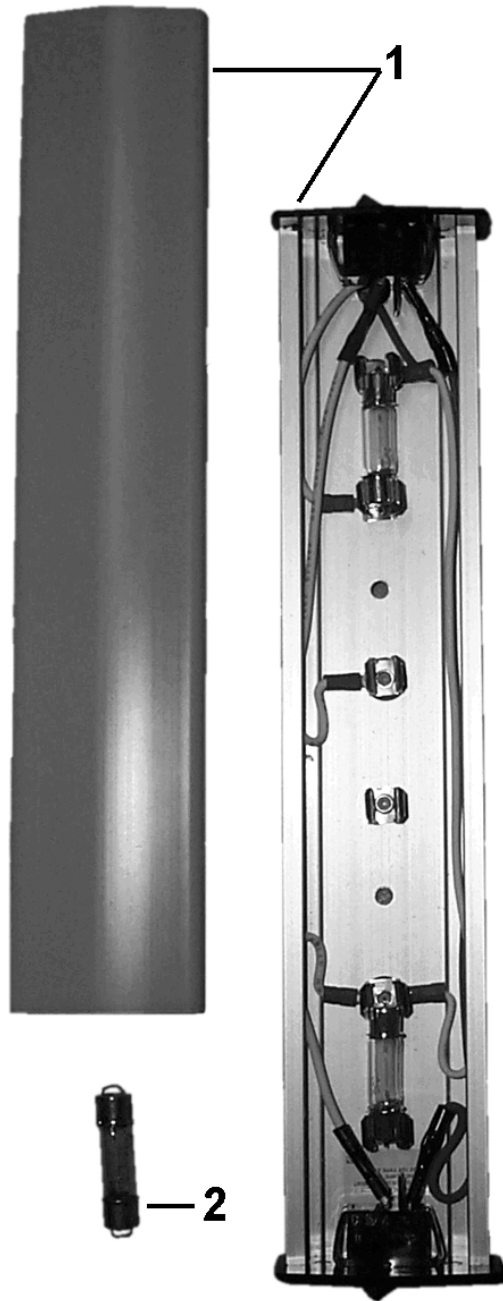


Figure 1.

3-BULB

27P7055
Group 7055 Light (all).PCX
Rev. 09/98

27P7055

Incandescent Light

Item#	Part Number	Qty	UM	Description	Start
01	P28750	1	EA	LIGHT, 3-BULB INCANDESCENT	5365
02	2112L	3	EA	BULB, FUSE TYPE, INCANDESCENT	5365

LIGHT, FLUORESCENT

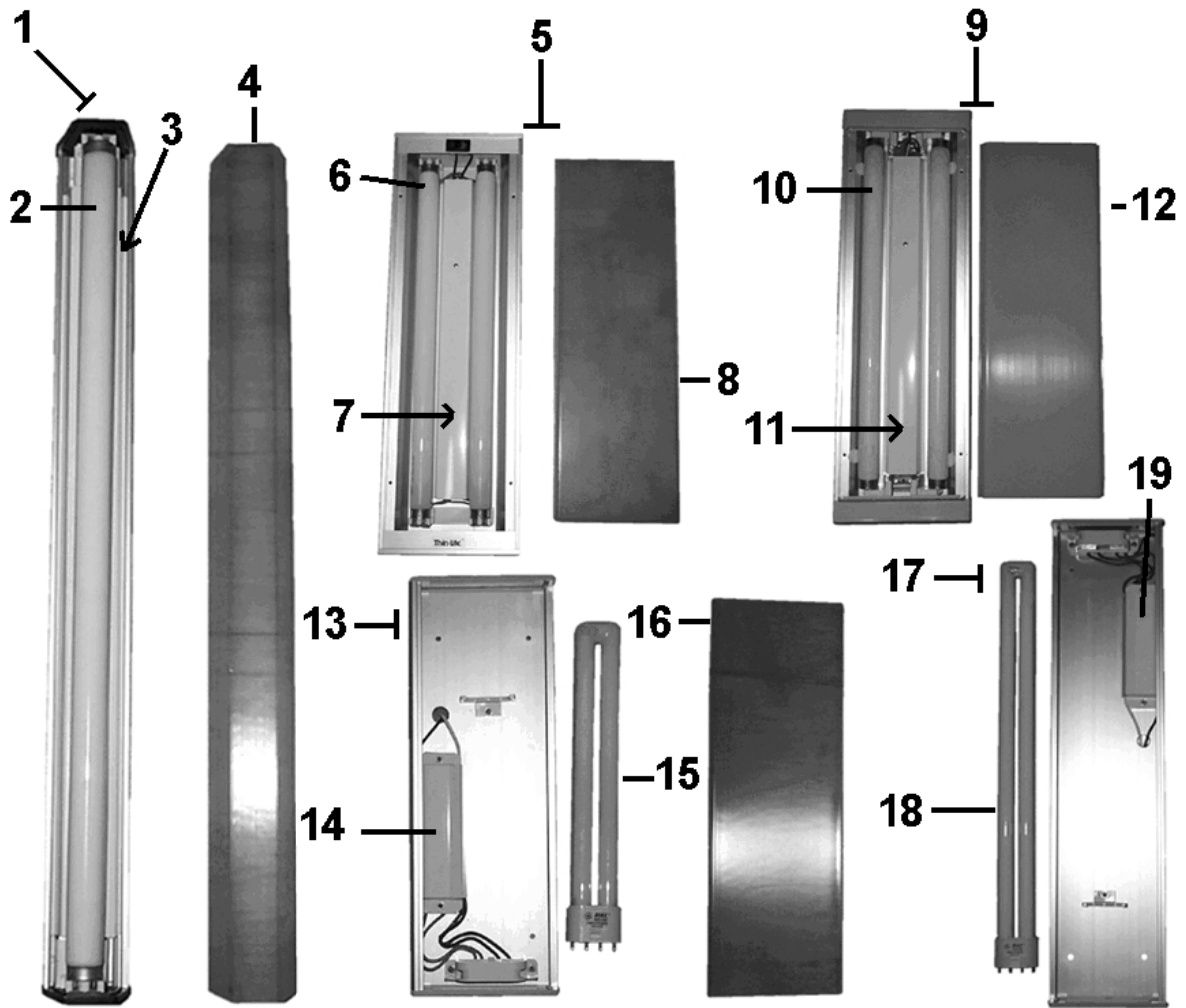


Figure 1.

Thin-Lites

27P7060

Flourescent Light

Item#	Part Number	Qty	UM	Description	Start
01	P28749	195	EA	LIGHT, FLUORESCENT, SINGLE	5365
02	F24T8CW	1	EA	TUBE, FLUORESCENT, 24 WATT	5365
03	IB195	1	EA	BALLAST, #195 LIGHT	5365
04	D195	1	EA	DIFFUSER, #195 LIGHT	5365
05	P39428	716XL	EA	LIGHT, FLUORESCENT, RECESSED, 20 13/16LX5 5/16WX1 5/16D	4754
06	CF15T8CW	2	EA	TUBE, FLUORESCENT, 15 WATT	4754
07	IB716	1	EA	BALLAST, #716 / 736 LIGHT	4754
08	D716XL	1	EA	DIFFUSER, #716 LIGHT	4754
09	P33799	736NS	EA	LIGHT, FLUORESCENT, RECESSED, 19 1/4L X 5 5/16W X 1 5/16D	4171
10	CF15T8CW	2	EA	TUBE, FLUORESCENT, 15 WATT	4754
11	IB716	1	EA	BALLAST, #716 / 736 LIGHT	4754
12	D736	1	EA	DIFFUSER, #736 LIGHT	4171
13	P22068	951	EA	LIGHT, FLUORESCENT	5044
14	OIB951	1	EA	BALLAST, #951 LIGHT	5044
15	CF18PL35SPX	1	EA	TUBE, FLUORESCENT, 4-PIN, 18 WATT	5044
16	LENS951	1	EA	DIFFUSER, #951 LIGHT	5044
17	P22054	957NL	EA	LIGHT, FLUORESCENT, DIFFUSED	4989
18	LPL3635	1	EA	TUBE, FLUORESCENT, 4-PIN, 39 WATT	4989
19	OIB957	1	EA	BALLAST, #957 LIGHT	4989



Foretravel, inc.

Motorhomes

Group 9000

High Usage Parts

HIGH USAGE PARTS, GENERATOR

No Picture At This Time

27P9010

Generator High Usage Parts

Item#	Part Number	Qty	UM	Description	Start
01	16271-32090 1064	1	EA	OIL FILTER, GENERATOR (NAPA CROSS)	5652
02	70000-43081 3390	1	EA	FUEL FILTER, GENERATOR (NAPA CROSS)	5652
03	CO-45001 6332	1	EA	AIR FILTER, GENERATOR (PLASTIC)	5652
03A	70000-11221 6270	1	EA	AIR FILTER, GENERATOR (CANNISTER)	5652
04	14911-97010 7300	1	EA	FAN BELT (WATER PUMP), GENERATOR	5652
05	19203-73010	1	EA	THERMOSTAT (OTHER PREFIXES INLCUDE 19434-), GENERATOR	5652
06	15676-73270	1	EA	THERMOSTAT GASKET, GENERATOR	5652
07	16261-65510	1	EA	GLOW PLUGS (OTHER PREFIXES INCLUDE 16421- & 16851-), GENERATOR	5652
08	16616-60010	1	EA	FUEL SOLENOID, GENERATOR	5652
09	16241-73030	1	EA	WATER PUMP, GENERATOR	5652
10	16261-73430	1	EA	WATER PUMP GASKET, GENERATOR	5652
11	16612-63010	1	EA	STARTER, GENERATOR	5652
12	16231-64010	1	EA	ALTERNATOR, GENERATOR	5652
13	16261-53000	1	EA	INJECTION NOZZLE, GENERATOR	5652
14	05RDE6061	1	EA	FUEL PUMP, GENERATOR	5652
15	TT-16A-0085-242	1	EA	SWITCH, TEMPERATURE SHUTDOWN, GENERATOR	5652
16	SM2-A1-25	1	EA	SWITCH, OIL SHUTDOWN, GENERATOR	5652
17	R-8864-HV	1	EA	HOUR METER, GENERATOR	5652
18	VR21	1	EA	REGULATOR, VOLTAGE (BRUSH), GENERATOR	5652
19	VR24	1	EA	REGULATOR, VOLTAGE (EXCITOR), GENERATOR	5652
20	21488	1	EA	HOSE, UPPER RADIATOR, GENERATOR (INSIDE BOX)	5652
21	20556	1	EA	HOSE, LOWER RADIATOR, GENERATOR (INSIDE BOX)	5652
22	16265-51010	1	EA	PUMP, FUEL INJECTION, GENERATOR	5652

